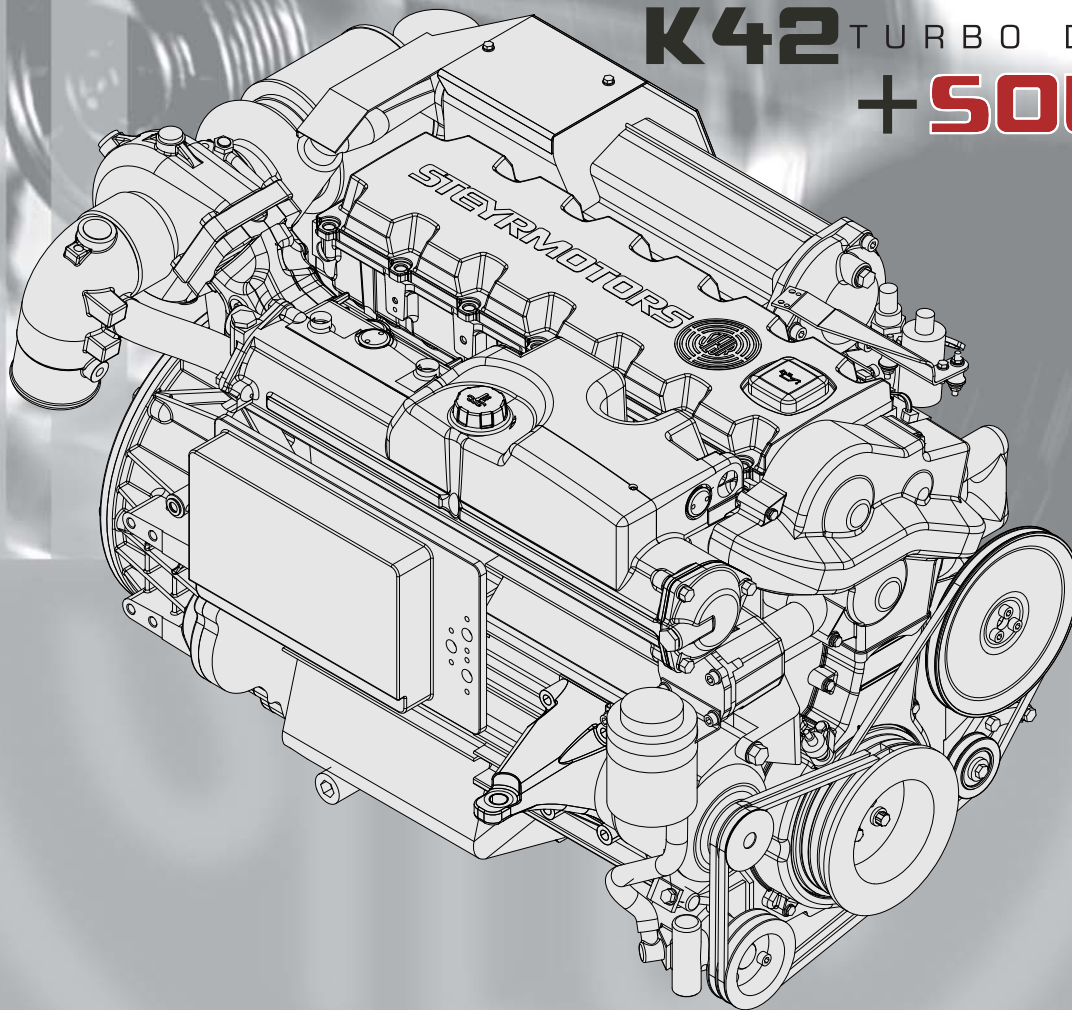




STEYR MARINE ENGINES

236 MARINE
K42 TURBO DIESEL
+ SOLAS



Serial no.: 68227001 -->

SPARE PARTS CATALOGUE

P/N Z011796-2 4th Edition, July 2012

TEL ++43 / 7252 / 222 / 20

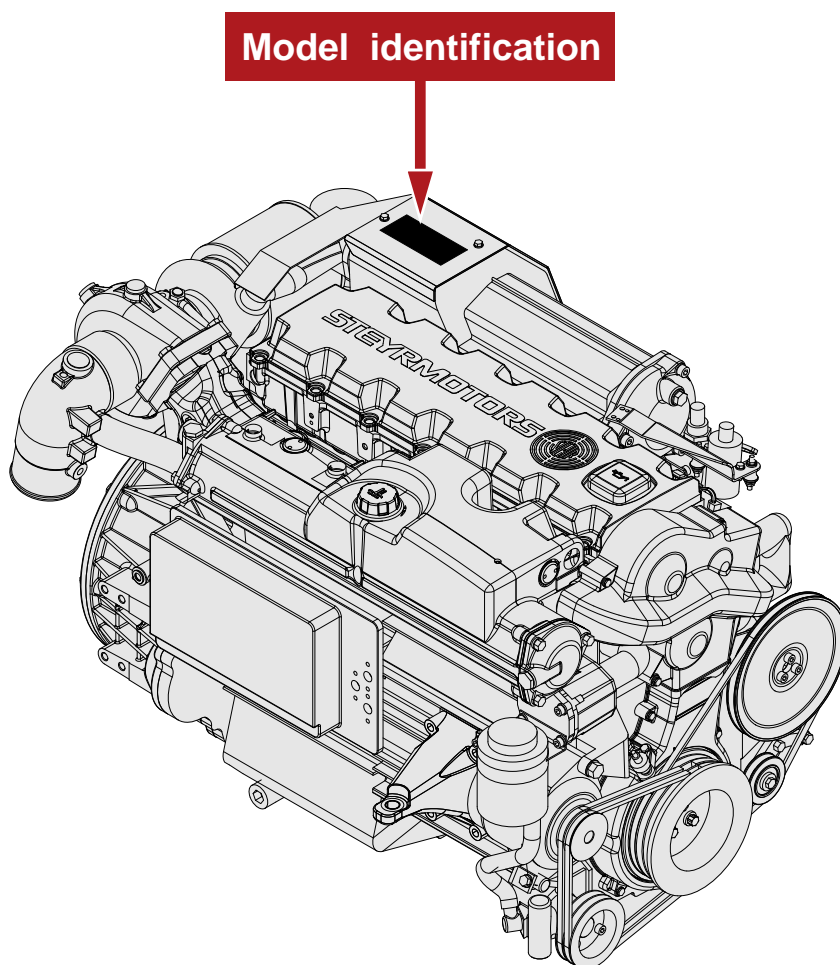
FAX ++43 / 7252 / 222 / 29

@ e.sales@steyr-motors.com



When ordering spare parts are always indicate serial engine number.
This will speed up delivery and help to avoid mistakes.

The primary model and serial number is located on the engine as illustrated. These numbers are required when requesting warranty and ordering parts.



Substituting automotive or generally supplied parts and hardware will often result in less than desired performance. For this reason, you should insist on the known quality of genuine STEYR Marine matched replacement parts, and should never use parts of unknown quality.

We reserve the right to make changes in design and execution which incorporate advances in technology!



SIGNS AND SYMBOLS

1



TA 0101

CYLINDERBLOCK

236 MARINE
K42 TURBO DIESEL
+ SOLAS

2

01016084-0

3	4	5	6	8	9	7
Pos.	Part.-No.	Qty	Designation			Step
24	Z002676-0	1	SPARE PART COVER T-BELT →68226146			.2
26	2203711-1	1	COVER T-BELT, UPPER PART 68226147→			.2
28	9000538-0	3	HEX.FLANGE BOLT EN 1665-M6x50 A2-70			.2

1 Table number

2 Partlist number for whole table/
functional groups

3 Positions number

4 Spare part number

5 Quantity for one engine respectively
assembly group

6 Designation and description of spare part

7 Groupparts are marked with a circle around the
position number. Parts in the list below these,
which had an increased step number by one, will
be included at delivery.

8 → 6..... Arrow before engine number:
Spare part UNTIL and LOWER

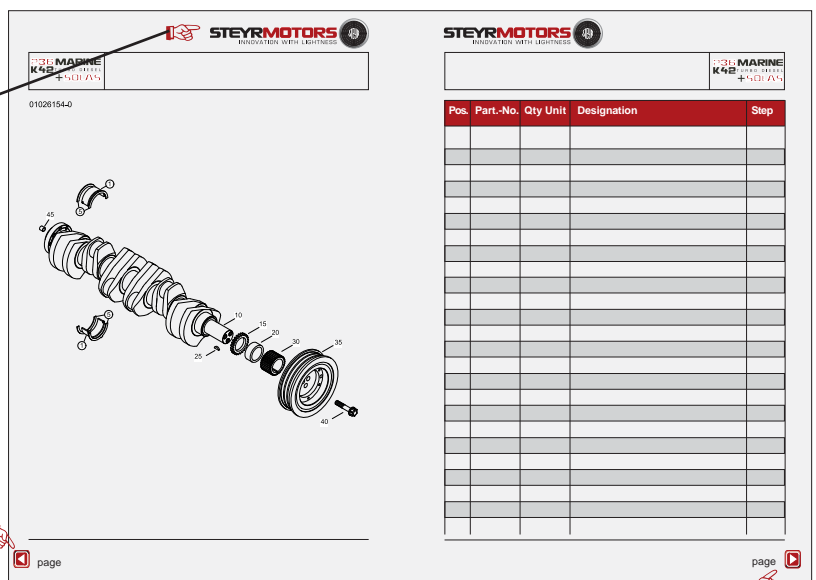
9 6..... → Arrow past engine number:
Spare part FROM and HIGHER

ACROBAT

... back to "starting point"

... one page back

... one page forward





236 MARINE
K42 TURBO DIESEL
+ SOLAS

TABLE OF CONTENTS - SPARE PARTS CATALOGUE

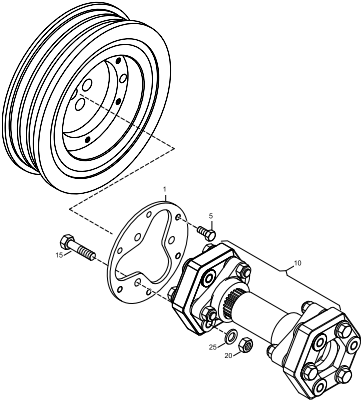

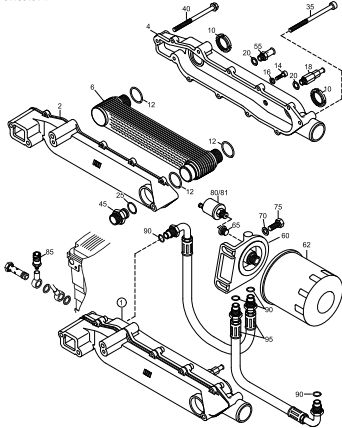

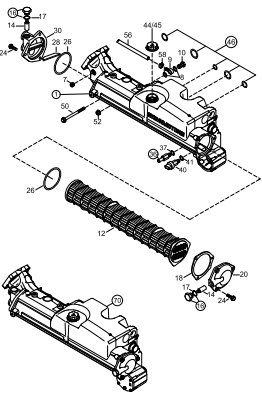

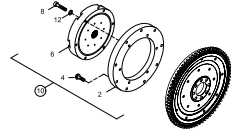

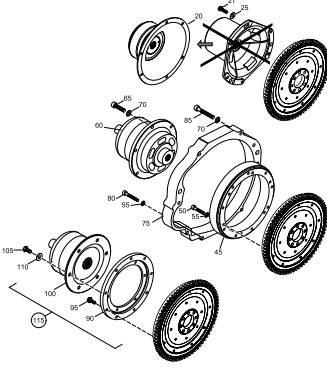

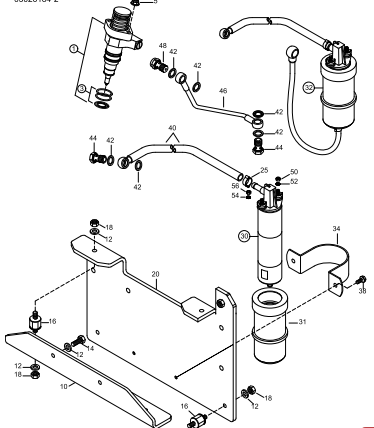

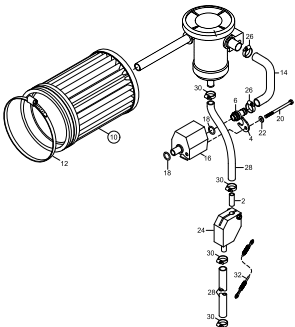

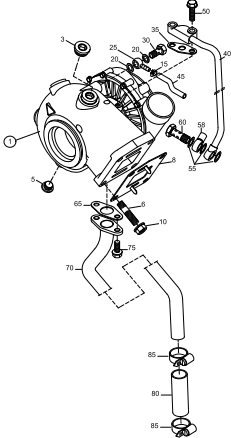

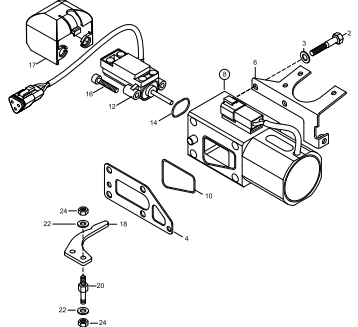

<p>TA 0100 Page 12 MOUNT BRACKET, LIFTING EYE, GASKET SET</p> <p>01006184-2</p>	<p>TA 0101 Page 14 CRANKCASE</p> <p>01016184-0</p>	<p>TA 0102 Page 16 CRANKSHAFT, BEARING, DAMPER</p> <p>01026154-1</p>
<p>TA 0103 Page 18 FLYWHEEL, FLYWHEELHOUSING</p> <p>01036154-0</p>	<p>TA 0104 Page 22 PISTON, RINGS AND PIN, CONNECTION ROD</p> <p>01046184-0</p>	<p>TA 0105 Page 24 CAMSHAFT HOUSING, TILL -->682300699</p> <p>01056184-2</p>
<p>TA 0105 Page 28 CAMSHAFT HOUSING, FROM 682300700--></p> <p>01056184-3</p>	<p>TA 0106 Page 32 OILPUMP, OILPIPE, OILPAN, OIL DIPSTICK</p> <p>01066184-2</p>	<p>TA 0108 Page 36 INTERCOOLER</p> <p>01086184-1</p>





TABLE OF CONTENTS - SPARE PARTS CATALOGUE

236 MARINE
K42 TURBO DIESEL
+ SOLAS

<p>TA 0109 Page 40 POWER TAKE OFF FRONT</p> <p>01096084-0</p>  	<p>TA 0113 Page 42 OILCOOLER , OILFILTER, OILHOSES</p> <p>01136184-1</p>  	<p>TA 0114 Page 44 EXHAUST, HEAT EXCHANGER, GASKET</p> <p>01146184-1</p>  
<p>TA 0200 Page 46 TORSIONAL COUPLING</p> <p>02006184-2</p>  	<p>TA 0210 Page 48 COUPLER</p> <p>02106184-0</p>  	<p>TA 0302 Page 50 FUEL PUMP, UNIT INJECTOR, PIPE</p> <p>03026184-2</p>  
<p>TA 0304 Page 52 AIRFILTER, INVERSION VALVE SOLAS</p> <p>03046184-0</p>  	<p>TA 0305 Page 54 TURBOCHARGER</p> <p>03056184-1</p>  	<p>TA 0308 Page 56 CONTR. SOLENOID, SENSOR CONTR. RACK POS.</p> <p>03086184-1</p>  





236 MARINE
K42 TURBO DIESEL
+ SOLAS

TABLE OF CONTENTS - SPARE PARTS CATALOGUE

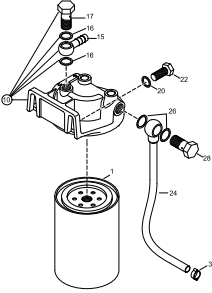

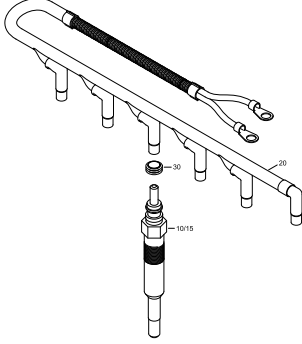

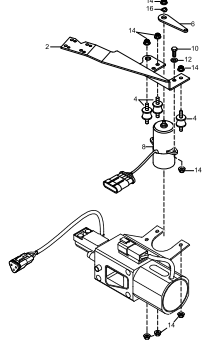

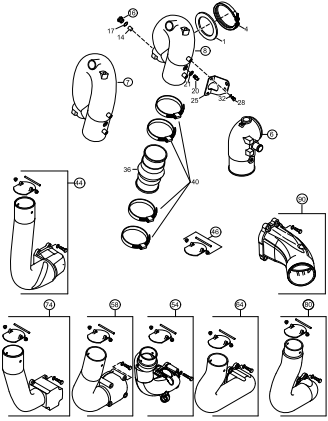

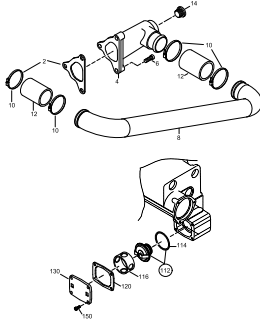

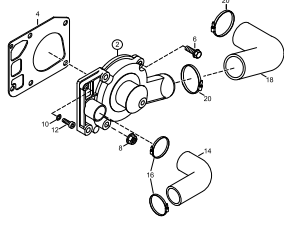

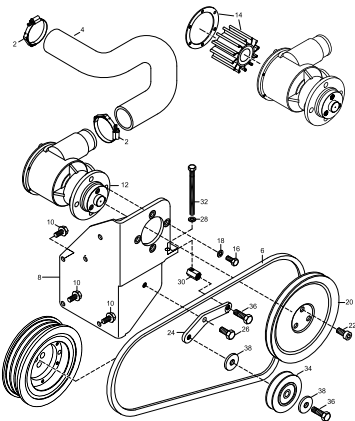

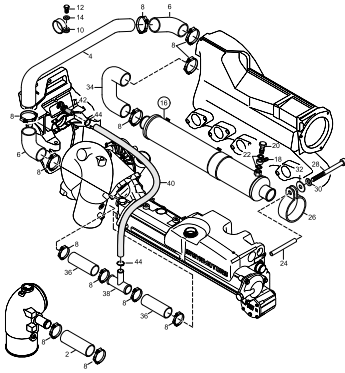

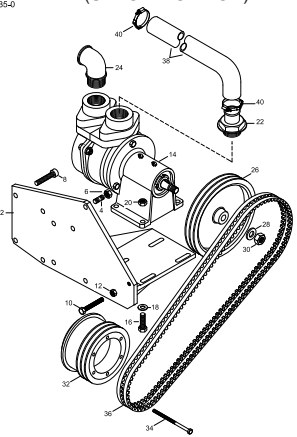

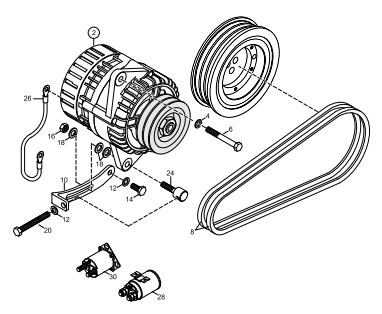

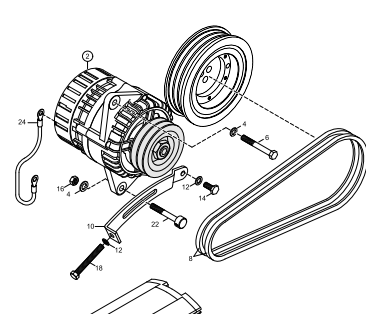

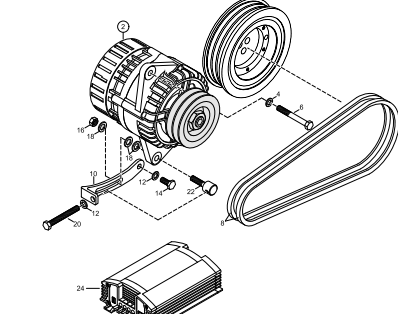

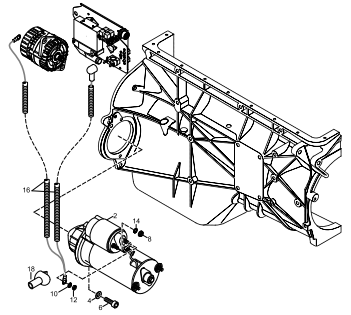

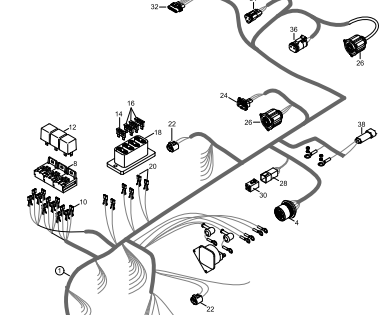

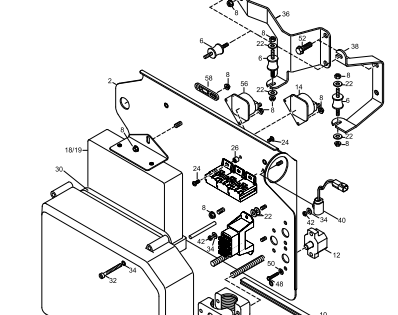

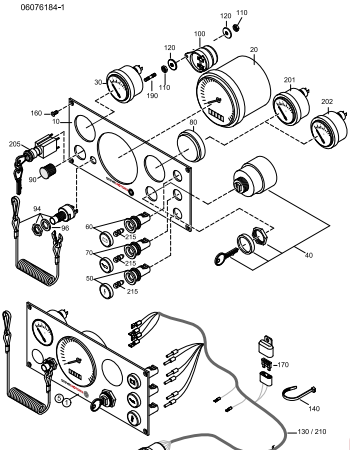

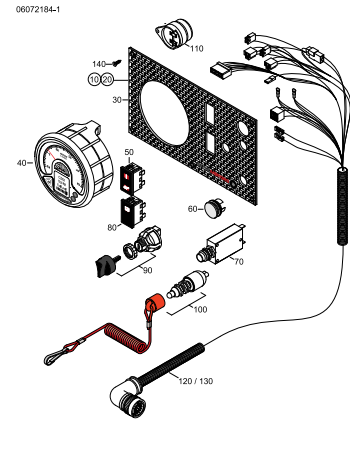

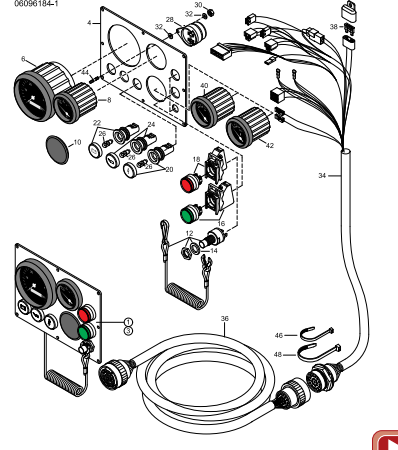

<p>TA 0309 Page 58 FUEL FILTER</p> <p>03096184-1</p>  	<p>TA 0311 Page 60 GLOW PIN</p> <p>03116084-0</p>  	<p>TA 0312 Page 62 POTENTIOMETER ACCELERATOR</p> <p>03126184-1</p>  
<p>TA 0401 Page 64 HIGH RISER, EXHAUSTPIPE</p> <p>04016184-0</p>  	<p>TA 0503 Page 66 WATERPIPE, THERMOSTAT</p> <p>05036184-2</p>  	<p>TA 0504 Page 68 WATERPUMP</p> <p>05046154-0</p>  
<p>TA 0510 Page 70 RAW WATER PUMP</p> <p>05106184-1</p>  	<p>TA 0512 Page 72 RAW WATER PIPES, FUEL-HYDR. OIL COOLER</p> <p>05126184-2</p>  	<p>TA 0512 Page 74 CENTRIFUGAL RAW WATER PUMP (SPECIAL-OPTION)</p> <p>05136185-0</p>  





TABLE OF CONTENTS - SPARE PARTS CATALOGUE

236 MARINE
K42 TURBO DIESEL
+ SOLAS

<p>TA 0601 Page 76 ALTERNATOR - STANDARD 14V / 90A</p> <p>06016184-1</p>  	<p>TA 0601 Page 78 ALTERNATOR 28V / 80A</p> <p>06016184-2</p> <p>OPTIONAL</p>  	<p>TA 0601 Page 80 ALTERNATOR 28V / 55A</p> <p>06016184-4</p> <p>OPTIONAL</p>  
<p>TA 0603 Page 82 STARTING MOTOR</p> <p>06036064-3</p>  	<p>TA 0605 Page 84 ENGINE HARNESS</p> <p>06056184-2</p>  	<p>TA 0606 Page 86 SECURETYSYSTEM, FUSES, ECU, E-BOX</p> <p>06066184-2</p>  
<p>TA 0607 Page 88 INSTRUMENTPANEL (STANDARD) TILL -->2010</p> <p>06076184-1</p>  	<p>TA 0607 Page 90 INSTRUMENTPANEL (STANDARD) FROM 2010--></p> <p>06072184-1</p>  	<p>TA 0609 Page 92 INSTR.PANEL SOLAS (STANDARD) TILL -->2010</p> <p>06096184-1</p>  



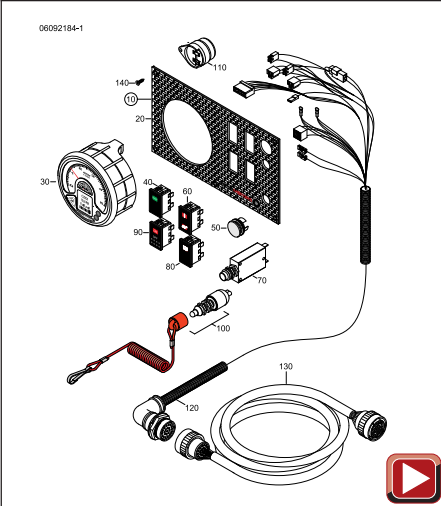


236 MARINE
K42 TURBO DIESEL
+ SOLAS

TABLE OF CONTENTS - SPARE PARTS CATALOGUE

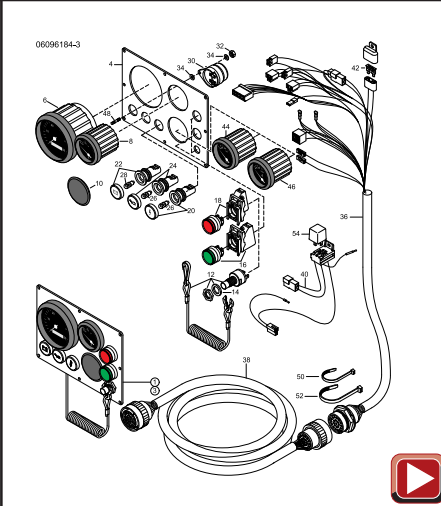
TA 0609 Page 94

INSTR. PANEL SOLAS (STANDARD) FROM 2010-->



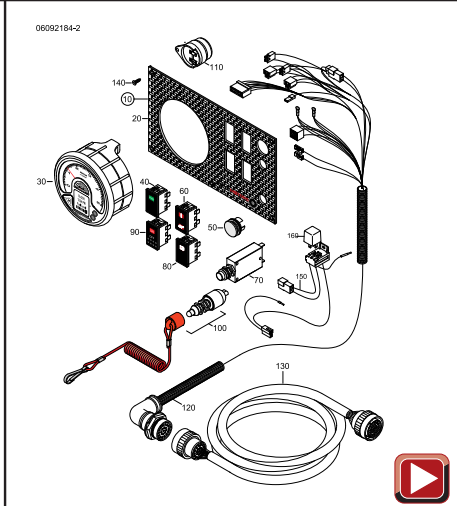
TA 0609 Page 96

INSTRUMENT PANEL SOLAS 24V - TILL -->2010



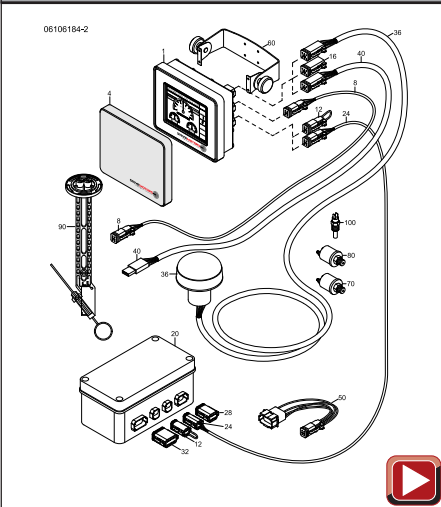
TA 0609 Page 98

INSTRUMENT PANEL SOLAS 24V - FROM 2010-->



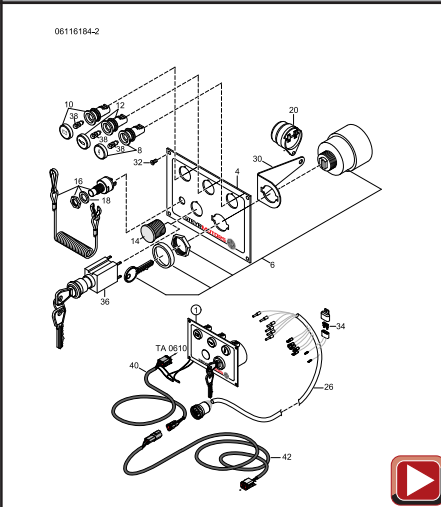
TA 0610 Page 100

SCC - DISPLAY



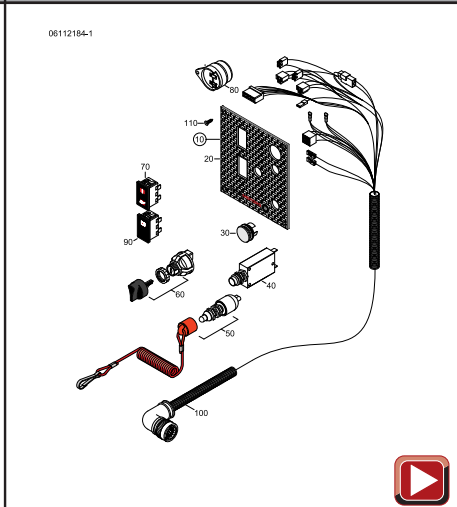
TA 0611 Page 102

SWITCH PANEL FOR DISPLAY - TILL -->2010



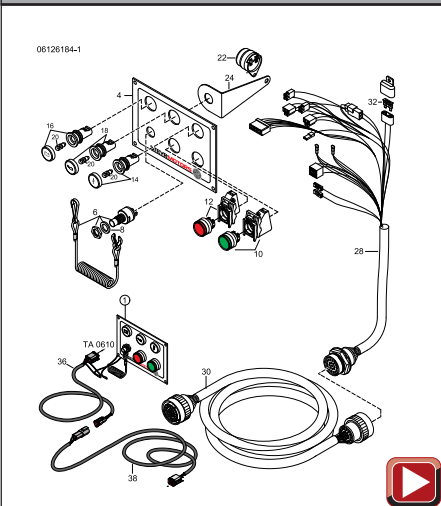
TA 0611 Page 104

SWITCH PANEL FOR DISPLAY - FROM 2010-->



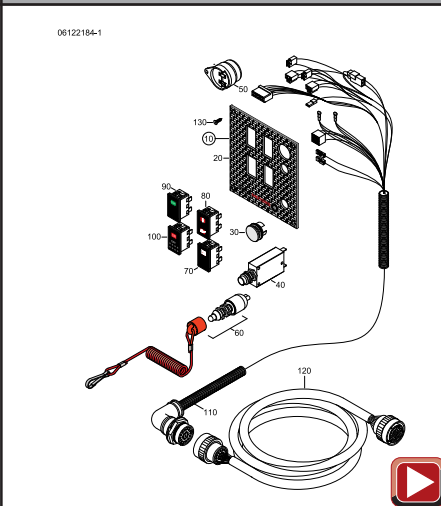
TA 0612 Page 106

PUSH BUTT. P. SOLAS F. DISPLAY TILL -->2010



TA 0612 Page 108

PUSH BUTT. P. SOLAS F. DISPLAY FROM 2010-->



TA 0613 Page 110

EXTENSION CABLE INSTRUMENTS

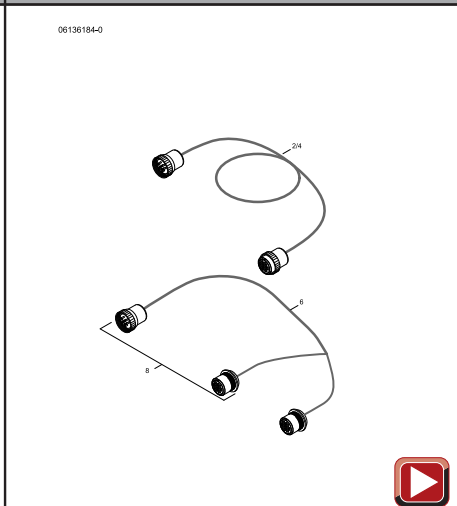




TABLE OF CONTENTS - SPARE PARTS CATALOGUE

236 MARINE
K42 TURBO DIESEL
+ SOLAS

<p>TA 0700 Page 112 TRANSMISS., MOUNTING BRACKETS, PIPES</p> <p>07006184-0</p> <p>ZF 63, 63A, 63 IV, 63 C</p> <p>3032343638 30425444618930 525456638</p>	<p>TA 0701 Page 114 TRANSMISSION-SHAFT, PTO-SHAFT (ALU)</p> <p>07016184-0</p>	<p>TA 0720 Page 116 DRIVE ADAPTOR VOLVO STERNDRIVE</p> <p>07206084-0</p>
<p>TA 0730 Page 118 DRIVE SHAFT EXT. MERCURY STERNDRIVE</p> <p>07306184-0</p> <p>(ACCESSORY)</p>	<p>TA 1408 Page 120 HYDRAULIC PUMP</p> <p>14086184-1</p>	<p>TA 1409 Page 122 HYDRAULIC PIPES</p> <p>14096184-0</p>
<p>TA 2207 Page 124 ENGINE PREHEATING</p> <p>22076184-0</p>	<p>TA 4000 Page 126 INTEGR. FLYWHEELGENERATOR (IFG)</p> <p>40006184-0</p>	<p>TA 4009 Page 128 PUSH BUTTON PANEL „IFG“ - TILL -->2010</p> <p>40096184-0</p>





236 MARINE
K42 TURBO DIESEL
+ SOLAS

TABLE OF CONTENTS - SPARE PARTS CATALOGUE

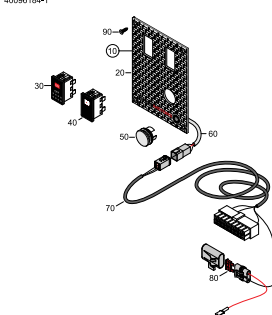

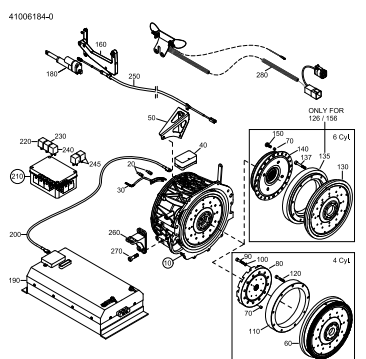

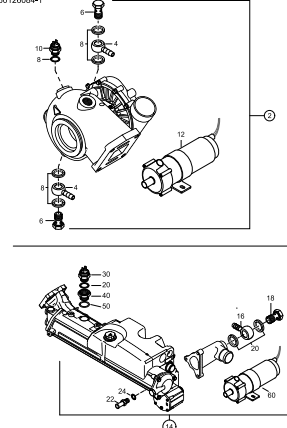

TA 4009 Page 130 PUSH BUTTON PANEL „IFG“ - FROM 2010-->	TA 4100 Page 132 HYBRID	TA 6012 Page 134 HEATING UNIT, CIRCULATION PUMP
 	 <p>ONLY FOR 120/150</p> <p>6-Cyl</p> <p>4-Cyl</p> 	 





TABLE OF CONTENTS - SPARE PARTS CATALOGUE

236 MARINE
K42 TURBO DIESEL
+ SOLAS



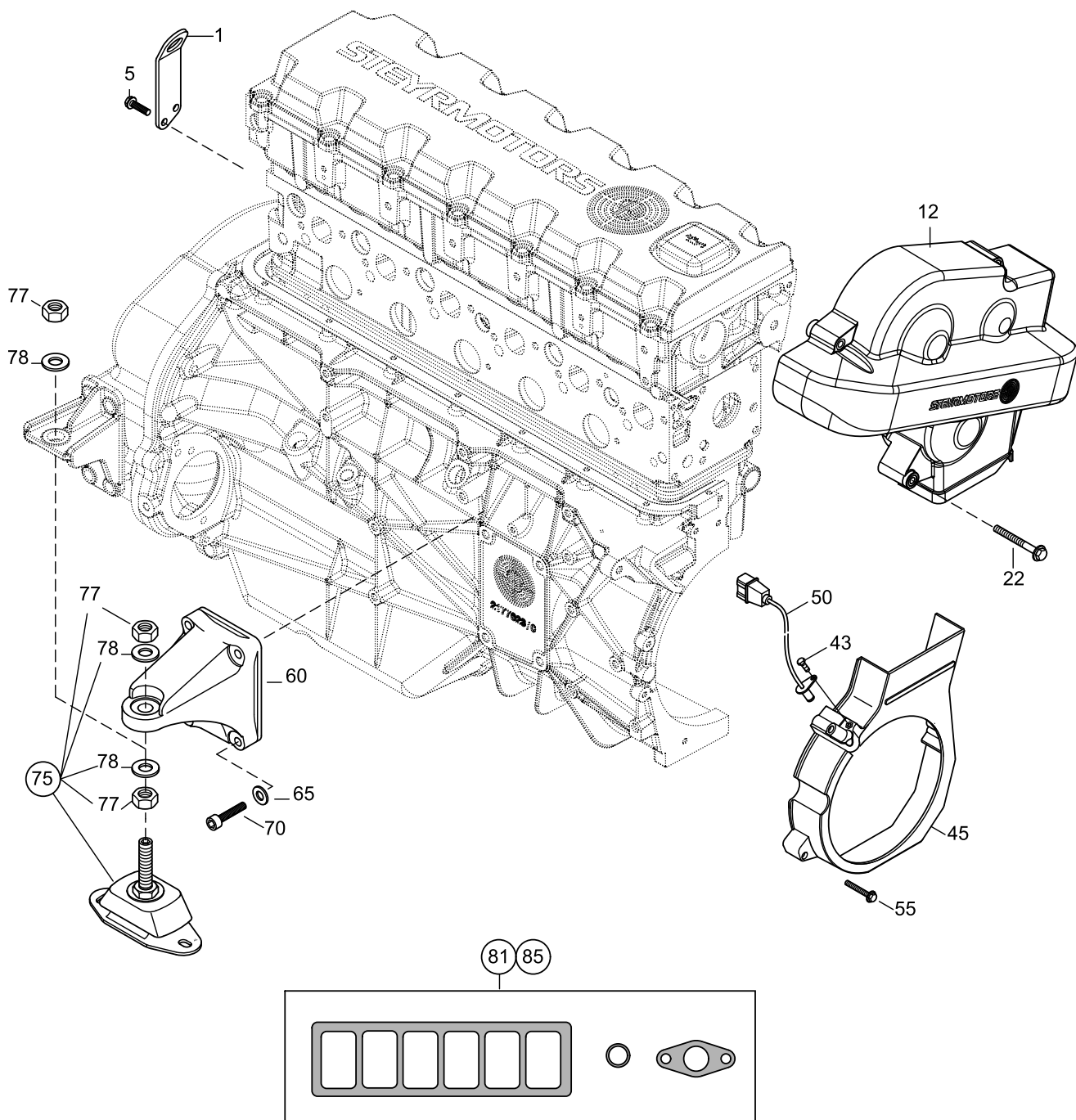


TA 0100

236 MARINE
K42 TURBO DIESEL
+ **SOLAS**

MOUNT BRACKET, LIFTING EYE, GASKET SET

01006184-2



MOUNT BRACKET, LIFTING EYE, GASKET SET

236 MARINE
K42 TURBO DIESEL
+ SOLAS

01006184-2

Pos.	Part.-No.	Qty	Designation	Step
1	2178082-1	1	ENGINE SHACKLE	.2
5	9000305-0	2	HEX.FLANGE BOLT EN 1665-M8x20-10.9-DAC	.2
12	2180109-0	1	COVER T-BELT RW	.2
22	9000538-0	3	HEX.FLANGE BOLT EN 1665-M6x50 A2-70	.2
43	3800221-0	1	HEX.HD.SCR. ISO 4017-M6x20-A2-70	.2
45	Z026026-0	1	COVER T-BELT, LOWER PART	.2
50	2176734-2	1	REVOLUTION SENSOR	.2
51	2176729-0	1	O-RING 17,17 x 1,78	.3
55	9000537-0	6	HEX.FLANGE BOLT EN 1665-M6x30 A2-70	.2
60	2177598-9	2	MOUNT BRACKET, FRONT, PAINTED	.2
65	3930075-0	8	WASHER DIN 125 A10.5-140HV-A2	.2
70	9000014-1	8	HEX.SOCK. HD.CAP SCR. DIN 912-M10x50-10.9-A3C	.2
75	2203804-5	4	ENGINE MOUNT ASSY 55SH	.2
77	9000442-0	2	HEX.NUT ISO 8673-M18x1,5-8-A-DAC	.3
78	9000441-0	2	LOCKWASHER 19,5x34,5	.3
81	Z002612-2	1	SEAL KIT, ENGINE MARINE 6 CYL.	.2
85	Z002612-5	1	SEAL KIT 6 CYL. MARINE W/O FR. SEAL	.2



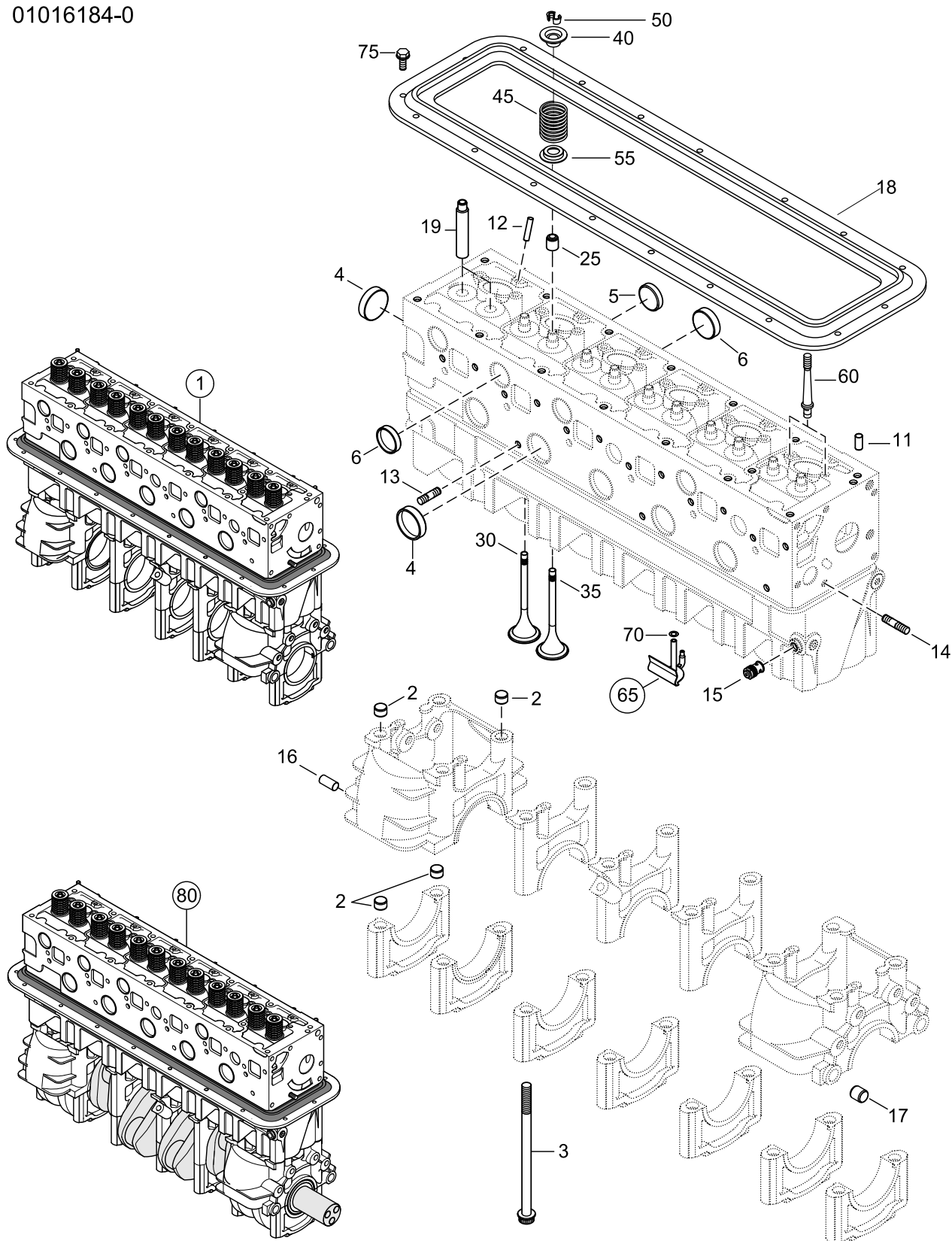


TA 0101

236 MARINE
K42 TURBO DIESEL
+ **SOLAS**

CRANKCASE

01016184-0



CRANKCASE	236 MARINE K42 TURBO DIESEL + SOLAS
------------------	--

01016184-0

Pos.	Part.-No.	Qty	Designation	Step
1	MZ60184-0	1	CYL. BLOCK ASSY. MARINE (INCL. VALVES)	.2
2	2172799-0	24	FITTING SLEEVE DM14.5 (TOM12)	..3
3	2174329-0	14	BOLT, MAIN BEARING	..3
4	2170309-0	6	CORE HOLE PLUG 40/8	..3
5	2172676-0	3	CORE HOLE PLUG 35/8	..3
6	2172170-0	5	CORE HOLE PLUG 28/7	..3
11	3901416-0	2	PARALLEL PIN ISO 2338-8m6x16-ST	..3
12	3901328-0	6	PARALLEL PIN ISO 2338-6m6x30-ST	..3
13	9000327-0	3	STUD DIN 939-M6x20-8.8-A2C	..3
14	3812435-0	1	STUD DIN 938-M8x35-8.8-A3C	..3
15	2178525-1	1	COOLING OIL VALVE ASSY.	..3
16	3901509-0	2	PARALLEL PIN ISO 2338-10m6x20-ST	..3
17	2170298-0	2	FITTING SLEEVE DM12.5 (TOM10)	..3
18	2205379-0	1	FRAME SEAL WITH SUPPORT	..3
19	2172133-N	12	VALVE GUIDE	..3
25	2172096-1	12	VALVE STEM SEAL	..3
30	2177577-1	6	EXHAUST VALVE	..3
35	2177576-6	6	INTAKE VALVE	..3
40	2177349-0	12	VALVE-SPRING RETAINER	..3
45	2172362-0	12	VALVE SPRING	..3
50	2170171-0	24	VALVE COLLET	..3
55	2177415-0	12	VALVE SPRING WASHER	..3
60	2174321-1	12	STUD UNIT INJECTOR	.2
65	2178478-0	6	SPRAYING NOZZLE ASSY	.2
70	2173533-0	6	O-RING 5,23 x 2,62	..3
75	9000287-0	17	HEX. FLANGE BOLT EN 1665-M6x12-8.8	.2
80	MT60184-0	1	PARTIAL ENGINE	.2



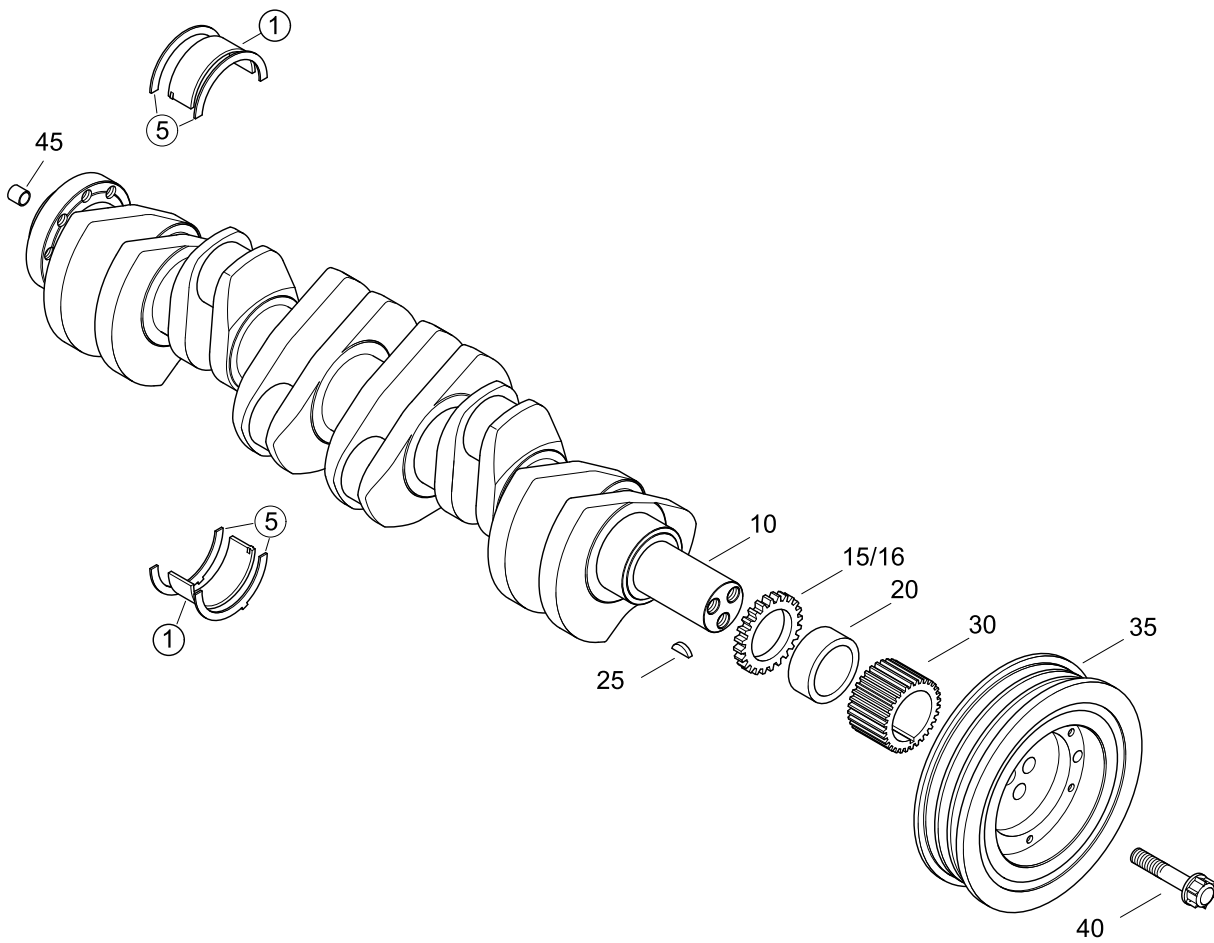


TA 0102

236 MARINE
K42 TURBO DIESEL
+ **SOLAS**

CRANKSHAFT, BEARING, DAMPER

01026154-1



CRANKSHAFT, BEARING, DAMPER	236 MARINE K42 TURBO DIESEL + SOLAS
------------------------------------	--

01026154-1

Pos.	Part.-No.	Qty	Designation	Step
1	Z002003-0	7	MAIN BEARING KIT, CRANKSHAFT	.2
5	Z002002-0	1	AXIAL BEARING KIT, CRANKSHAFT	.2
10	2172816-0	1	CRANKSHAFT	.2
15	2172584-0	1	GEAR →682310435	.2
16	2172584-2	1	GEAR 682310436→	.2
20	2172316-4	1	BARREL RING	.2
25	3960012-0	1	WOODRUFFKEY DIN 6888-8x9	.2
30	2172770-0	1	SYNCHRONOUS BELT PULLEY CRANKSHAFT	.2
35	2177592-4	1	TORSIONAL VIBRATION DAMPER	.2
40	2205328-0	3	SCREW, VIBRATION DAMPER ISO 4014-M12x60-12.9-DAC500	.2
45	2170298-0	1	FITTING SLEEVE	.2



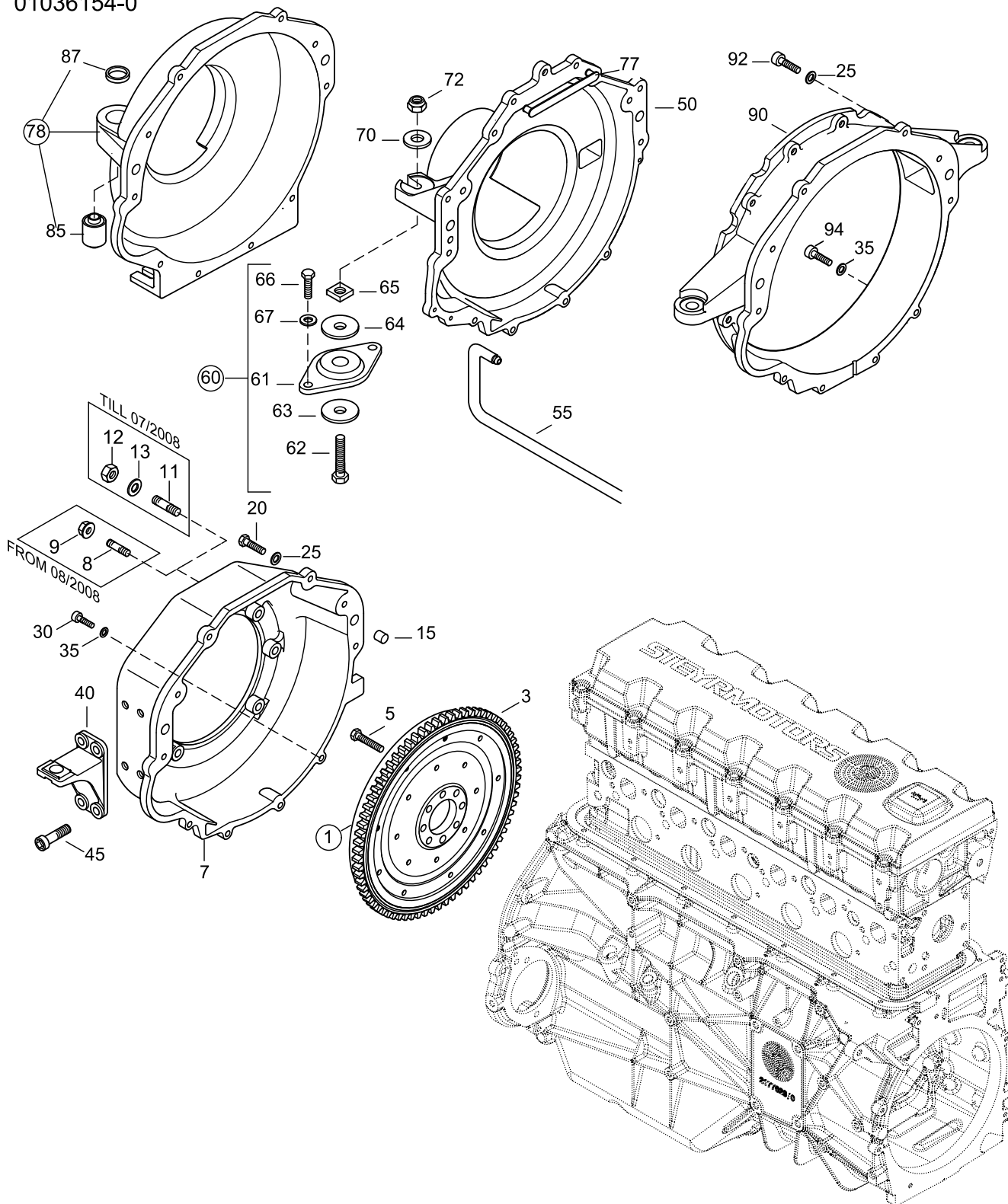


TA 0103

236 MARINE
K42 TURBO DIESEL
+ SOLAS

FLYWHEEL, FLYWHEELHOUSING

01036154-0





FLYWHEEL, FLYWHEELHOUSING

236 MARINE
K42 TURBO DIESEL
+ SOLAS

01036154-0

Pos.	Part.-No.	Qty	Designation	Step
1	2177734-1	1	FLYWHEEL ASSY.	.2
3	2177625-0	1	GEAR RIM	..3
5	2174592-0	8	HEX. HEAD SCREW M10x30-12.9	.2
7	Z002165-0	1	SPARE FLYWHEEL HOUSING B/W FLANGE PAINTED	.2
8	9000371-0	6	STUDDIN835-M10x25-8.8-A3C	.2
9	9000042-1	6	HEX.FLANGE NUT DIN6923-M10-8-A3C	.2
11	9000082-0	6	STUD DIN835-M12x25-8.8-A3C	.2
12	3871319-0	6	HEX.NUT ISO 4032-M12-8-A3C	.2
13	3930282-0	6	WASHER DIN 125-A13-140HV-A3C	.2
15	3900184-0	2	SPRING PIN, SLIGHT TYPE DIN 7346-16x22	.2
20	3862545-0	5	HEX.SOCK. HD.CAP SCR. DIN912-M10x35-A2-70	.2
25	3930075-0	5	WASHER DIN 125 A10.5-140HV-A2	.2
30	3862433-0	4	HEX.SOCK. HD.CAP SCR. DIN912-M8x30-A2-70	.2
35	3930103-0	4	WASHER DIN 125-8.4-140HV-A2	.2
40	2178722-1	2	BRACKET FLYWHEEL HOUSING	.2
45	9000081-0	8	HEX.SOCK.HD.CAP SCR. DIN912-M12x35-8.8-A3C	.2
50	O915157-9	1	HOUSING-FLYWHEEL OMC / VOLVO SX - PAINTED	.2
55	O913787-0	1	HOSE-FLYWHEEL HOUSING	.2
60	O986712-0	1	SMALL PARTS REAR MOUNTS	.2
61	O983932-0	2	REAR MOUNT ASSY	..3
62	O318573-0	2	BOLT, REAR MOUNT	..3
63	O911780-0	2	WASHER-REAR MOUNT-LOWER	..3
64	O912889-0	2	WASHER REAR MOUNT	..3
65	O911776-0	2	SQUARE NUT-REAR MOUNT	..3
66	O309484-0	4	HEX. SCREW 3/8-16UNCx1-1/4"	..3
67	O319453-0	4	WASHER	..3
70	O911778-0	2	WASHER, REAR MOUNT	.2
72	O313623-0	2	LOCK NUT, REAR MOUNT	.2
77	2178504-0	1	COVER	.2



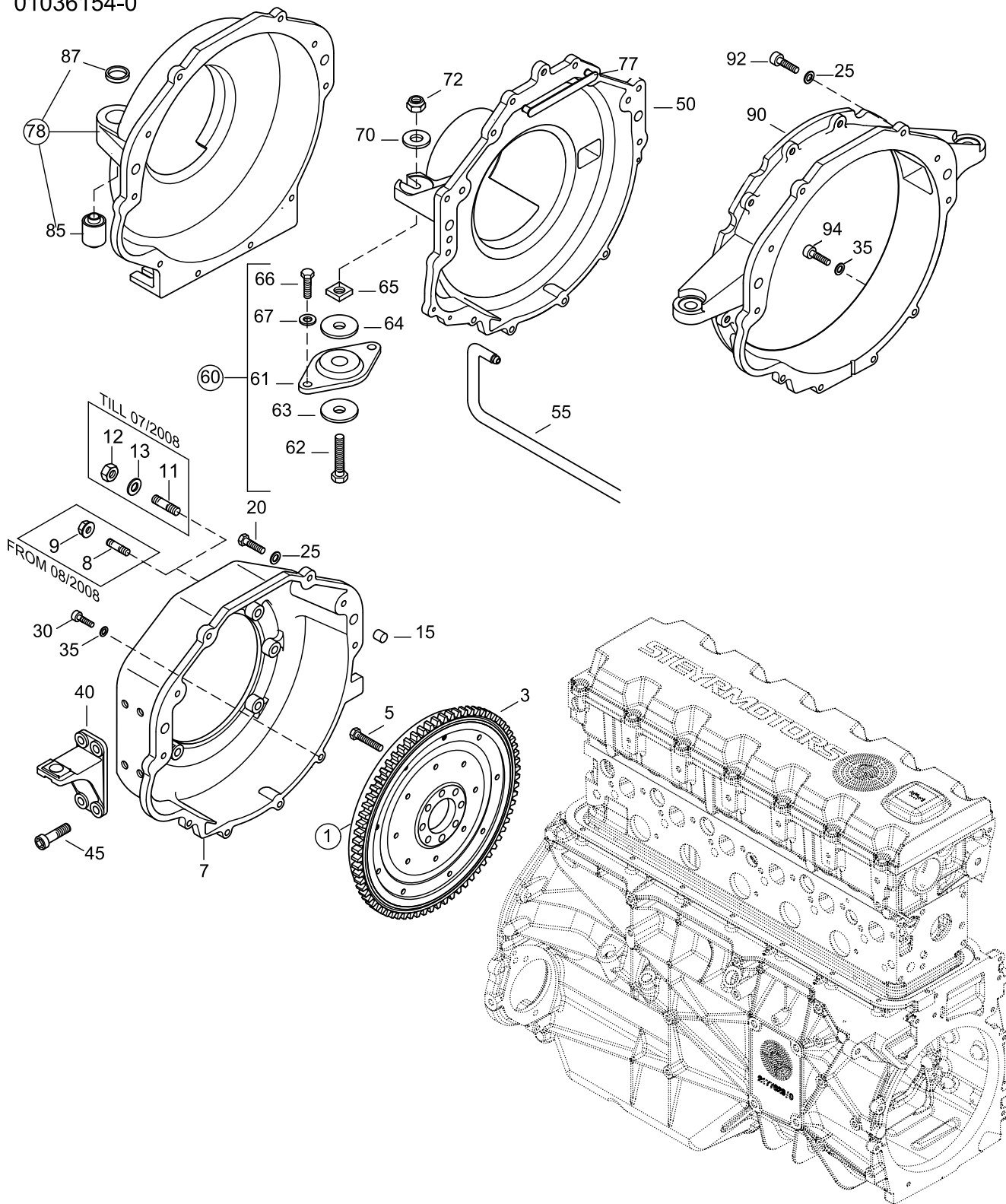


TA 0103

236 MARINE
K42 TURBO DIESEL
+ SOLAS

FLYWHEEL, FLYWHEELHOUSING

01036154-0





FLYWHEEL, FLYWHEELHOUSING

236 MARINE
K42 TURBO DIESEL
+ SOLAS

01036154-0

Pos.	Part.-No.	Qty	Designation	Step
78	2178833-M	1	HOUSING FLYWHEEL MERCURY ASSY PAINTED	.2
85	2178876-2	2	SINENT BLOCK F. FLYWHEEL HOUSING	..3
87	2178877-0	2	WASHER-REAR MOUNT-LOWER	..3
90	2178052-9	1	HOUSING FLYWHEEL SAE 4 PAINTED	.2
92	3860149-0	5	HEX.SOCK. HD.CAP SCR. DIN 912-M10x40-8.8-A3C	.2
94	9000064-0	4	HEX.SOCK. HD.CAP SCR. DIN 912-M8x35-8.8-A3C	.2





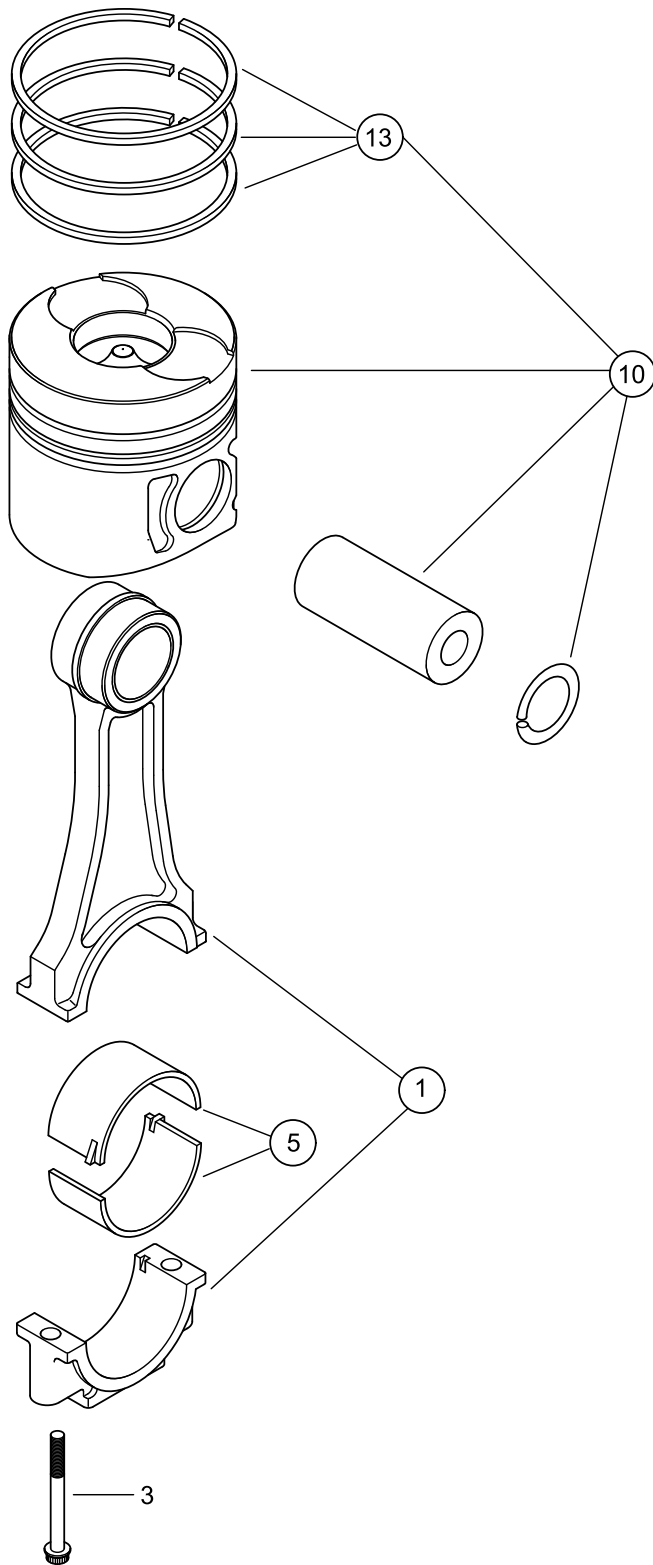
TA 0104



236 MARINE
K42 TURBO DIESEL
+ **SOLAS**

PISTON, RINGS AND PIN, CONNECTION ROD

01046184-0





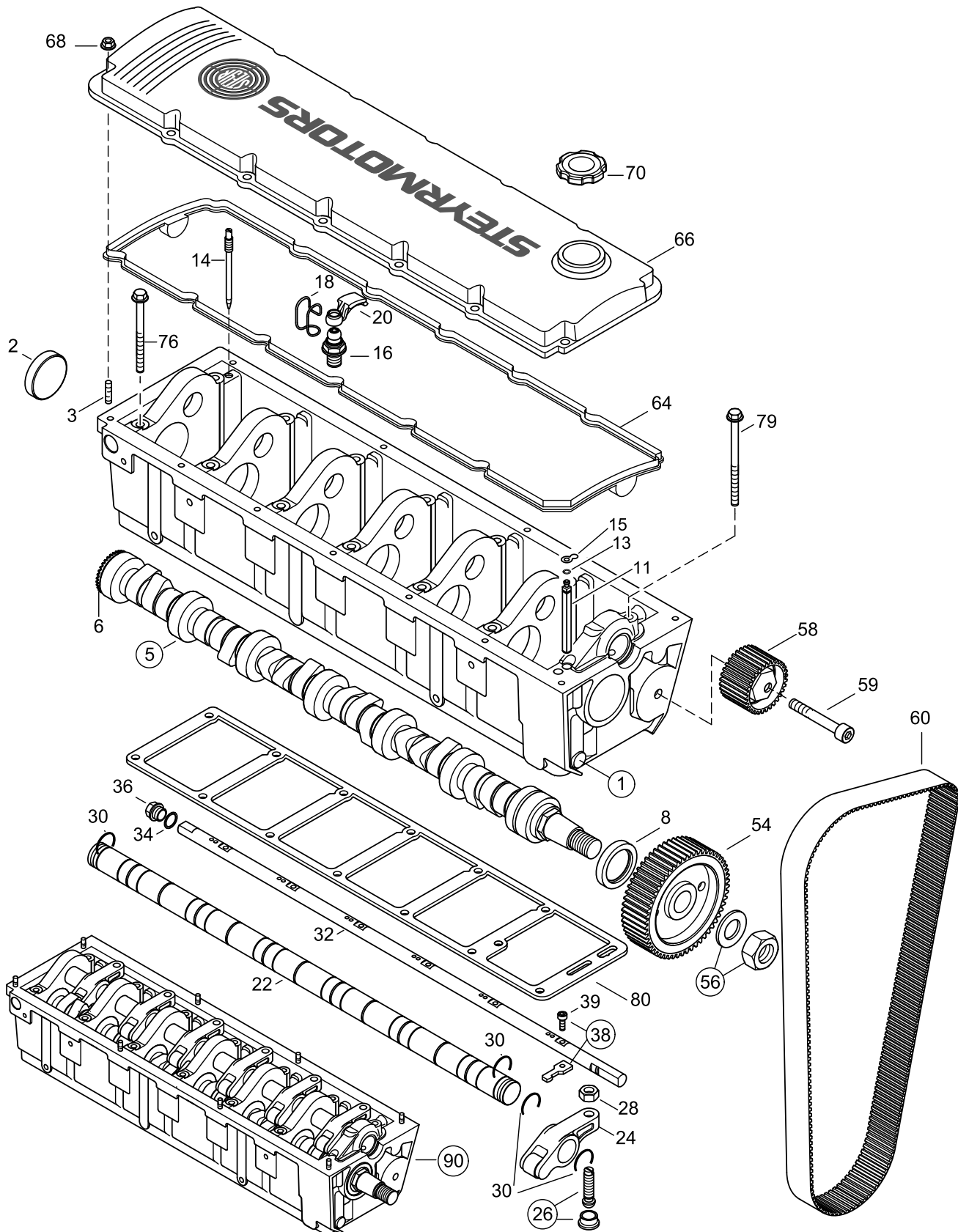
TA 0105



236 MARINE
K42 TURBO DIESEL
+ SOLAS

CAMSHAFT HOUSING, TILL -->682300699

01056184-2





CAMSHAFT HOUSING, TILL -->682300699

236 MARINE
K42 TURBO DIESEL
+ SOLAS

01056184-2

Pos.	Part.-No.	Qty	Designation	Step
1	Z002602-1	1	CAMSHAFT HOUSING ASSY. 6 CYL. (PLANE) 68224400—>	.2
2	2178083-0	1	CORE HOLE PLUG 50/7	..3
3	2309101-0	14	STUD DIN 835-M6x25-A2-70	..3
5	2178084-2	1	CAMSHAFT ASSY 6 CYL.	.2
6	2203280-1	1	SENSOR DISK 24 TEETH	..3
8	2172086-1	1	ROTARY SHAFT SEAL, CAMSHAFT	.2
11	2178486-2	1	AXLE SUPPORT - CAMSHAFT	.2
13	2179278-0	1	O-RING 4,3x2,4	.2
14	2177513-2	1	GUIDE PIN CONTROL RACK	.2
15	2179251-0	1	LOCKING DEVICE, AXLE SUPPORT	.2
16	2174546-2	12	VALVE TAPPET ADJ. SCREW ASSY.	.2
18	2174552-0	12	RETAINER, CAM FOLLOWER	.2
20	2177139-1	12	CAM FOLLOWER	.2
22	2174434-1	1	ROCKER ARM SHAFT ASSY 6 CYL.	.2
24	Z002094-0	6	ROCKER ARM ASSY. (SPARE PART)	.2
26	Z002010-0	6	TAPPET ADJUSTER ASSY.	.2
28	3871310-0	6	HEX.NUT DIN 934-M10x1-8	.2
30	2174036-0	14	CRESCENT RING 28x1,5	.2
32	2205115-0	1	CONTROL RACK	.2
34	3098031-0	1	SEALING RING DIN 7603-A26x31-CU	.2
36	3962043-0	1	HEX.HD.SCR.PLUG DIN 7604-C-M26x1.5-ST-A3C	.2
38	Z002009-0	6	CONTROL LINK & BOLT	.2
39	3860140-0	1	HEX.SOCK. HD.CAP SCR. DIN 912-M5x20-LH-10.9	..3
54	2177642-0	1	TIMING BELT PULLEY CAMSHAFT	.2
56	Z002011-0	1	NUT & WASHER, CAMSHAFT PULLEY	.2
58	2178548-5	1	IDLER PULLEY ASSY. DM50	.2
59	3860155-0	1	HEX.SOCK. HD.CAP SCR. DIN 912-M10x70-10.9-DAC A500	.2
60	2178073-1	1	TIMING BELT	.2
64	2205355-1	1	SEALING, CAMSHAFT HSG-COVER	.2
66	Z002628-0	1	VALVE COVER PLANE, SILVER (PAINTED)	.2
68	3880049-0	14	HEX.FLANGE NUT DIN 6923-M6-A2-70	.2



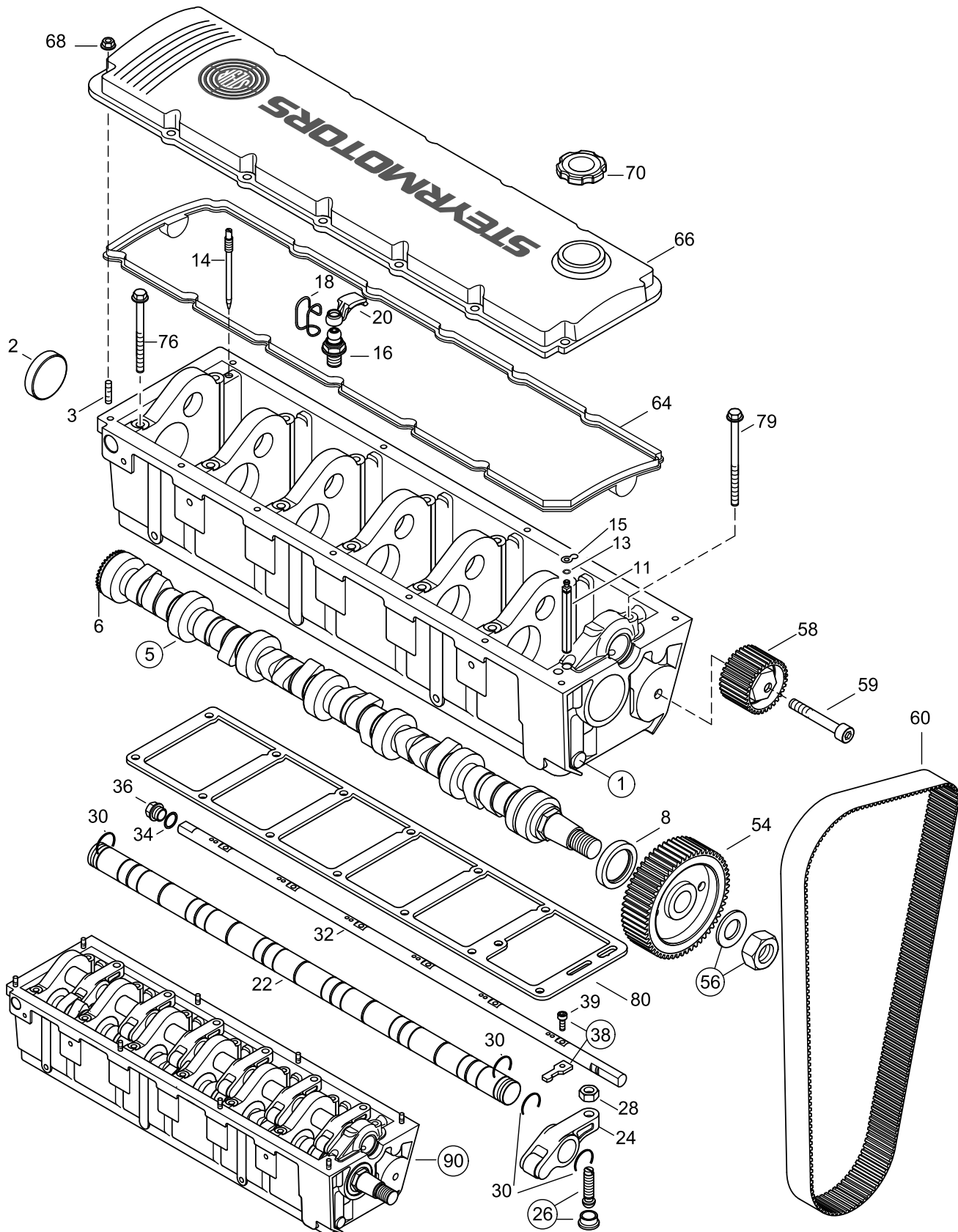


TA 0105

236 MARINE
K42 TURBO DIESEL
+ **SOLAS**

CAMSHAFT HOUSING, TILL -->682300699

01056184-2



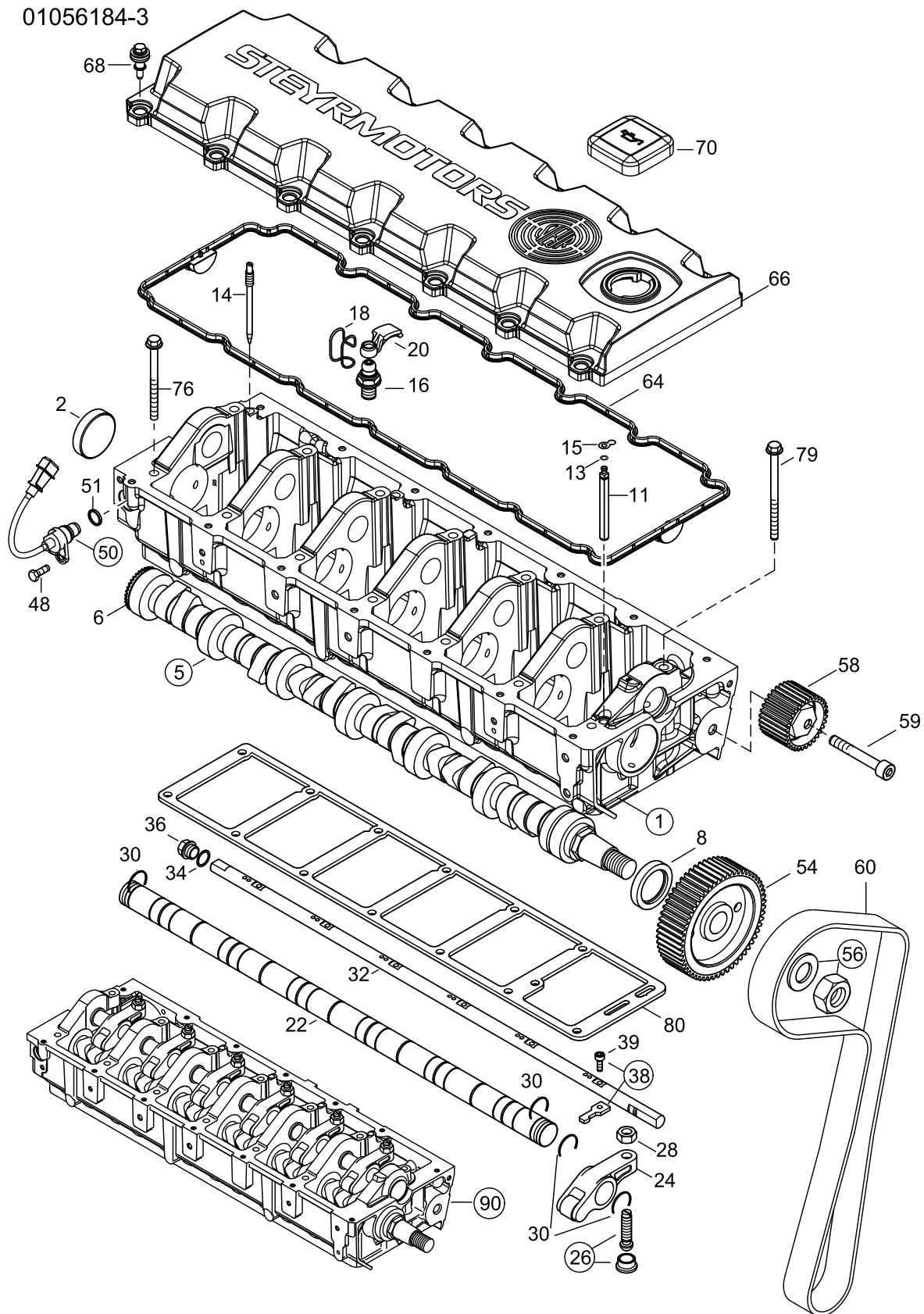


TA 0105

236 MARINE
K42 TURBO DIESEL
+ **SOLAS**

CAMSHAFT HOUSING, FROM 682300700-->

01056184-3





CAMSHAFT HOUSING, FROM 682300700-->

236 MARINE
K42 TURBO DIESEL
+ SOLAS

01056184-3

Pos.	Part.-No.	Qty	Designation	Step
1	Z002602-6	1	CAMSHAFT HOUSING ASSY. (FROM 682300700 AND HIGHER)	.2
2	2178083-0	1	CORE HOLE PLUG 50-7	..3
5	2178084-2	1	CAMSHAFT ASSY.	.2
6	2203280-1	1	SENSOR DISK	..3
8	2172086-1	1	ROTARY SHAFT SEAL	.2
11	2178486-2	1	AXLE SUPPORT	.2
13	2179278-0	1	O-RING 4,3x2,4	.2
14	2177513-2	1	GUIDE PIN CONTROL RACK	.2
15	2179251-0	1	LOCKING DEVICE, AXLE SUPPORT	.2
16	2174546-2	12	VALVE TAPPET ADJ. SCREW ASSY.	.2
18	2174552-0	12	RETAINING SPRING	.2
20	2177139-1	12	CAM FOLLOWER ASSY.	.2
22	2174434-1	1	ROCKER ARM SHAFT ASSY .	.2
24	Z002094-0	6	ROCKER ARM ASSY. (SPARE PART)	.2
26	Z002010-0	6	TAPPET ADJUSTER ASSY.	.2
28	3871310-0	6	HEX.NUT DIN 934-M10x1-8	.2
30	2174036-0	14	CRESCENT RING 28x1,5	.2
32	2205115-0	1	CONTROL RACK	.2
34	3098031-0	1	SEALING RING DIN 7603-A26x31-CU	.2
36	3962043-0	1	HEX.HD.SCR.PLUG DIN 7604-C-M26x1.5-ST-A3C	.2
38	Z002009-0	6	CONTROL LINK & BOLT	.2
39	3860140-0	1	HEX.SOCK.HD.CAP SCR. DIN 912-M5x20-LH-10.9	..3
48	3800238-0	1	HEX.HD.SCR. ISO 4017-M6x12-A2-70	.2
50	2176734-2	1	REVOLUTION SENSOR	.2
51	2176729-0	1	O-RING 17,17 x 1,78	..3
54	2177642-0	1	TIMING BELT PULLEY CAMSHAFT	.2
56	Z002011-0	1	NUT & WASHER, CAMSHAFT PULLEY	.2
58	2178548-5	1	IDLER PULLEY ASSY.	.2
59	3860155-0	1	HEX.SOCK.HD.CAP SCR. DIN 912-M10x70-10.9-DAC A500	.2
60	2179985-0	1	TIMING BELT	.2
64	2179921-0	1	SEALING, CAMSHAFT HSG-COVER	.2





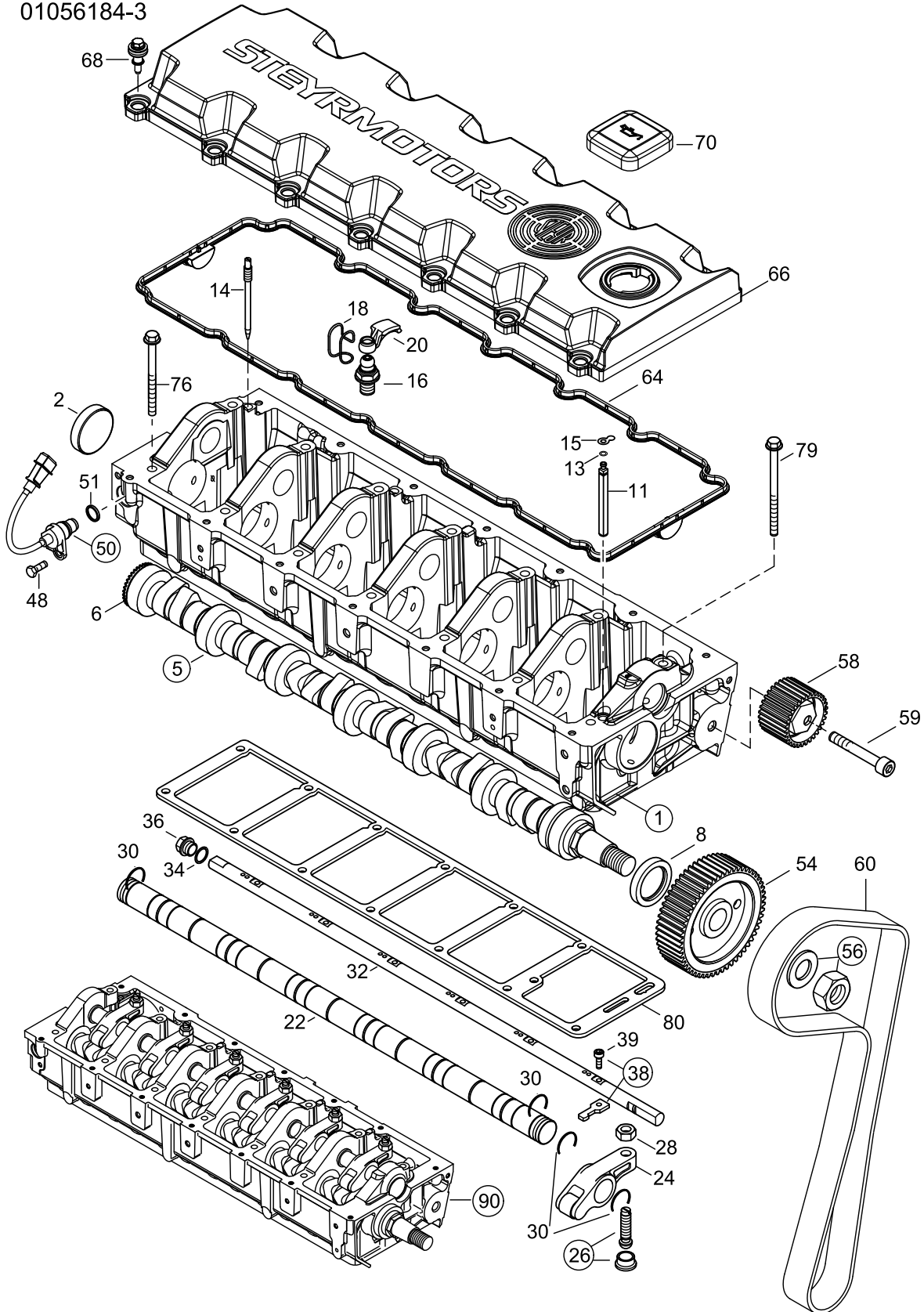
TA 0105



236 MARINE
K42 TURBO DIESEL
+ SOLAS

CAMSHAFT HOUSING, FROM 682300700-->

01056184-3





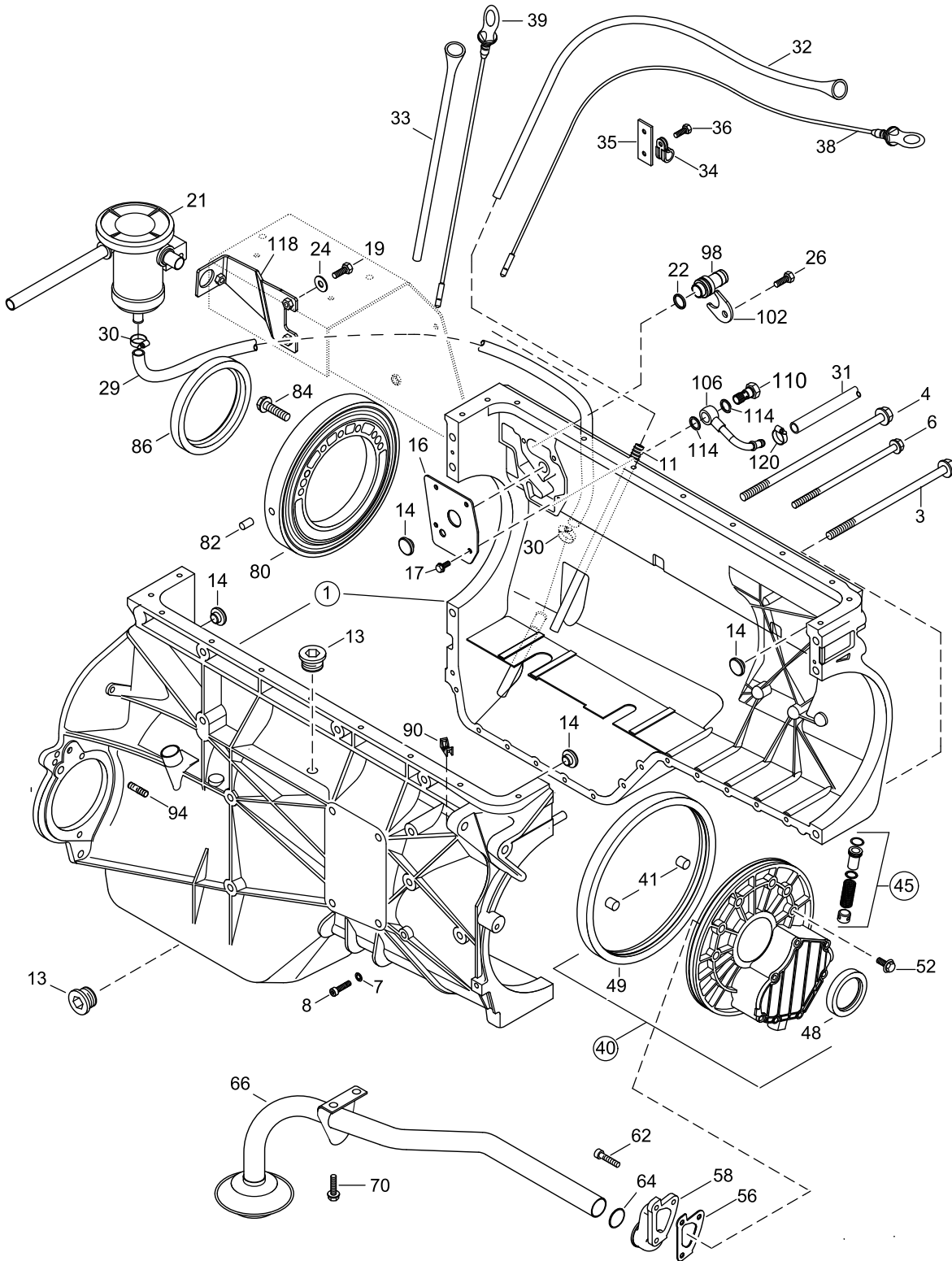
TA 0106



236 MARINE
K42 TURBO DIESEL
+ SOLAS

OILPUMP, OILPIPE, OILPAN, OIL DIPSTICK

01066184-2




OILPUMP, OILPIPE, OILPAN, OIL DIPSTICK
236 MARINE
K42 TURBO DIESEL
 + **SOLAS**

01066184-2

Pos.	Part.-No.	Qty	Designation	Step
1	Z002014-2	1	ENGINE HSG ASSY.(SCR.FRAME S.)(INCL.PIPE OIL-DIPSTICK)	.2
3	9000464-0	2	HEX.FLANGE BOLT EN 1665-M10x200-8.8-A3C	..3
4	9000463-0	2	HEX.FLANGE BOLT EN 1665-M10x250-8.8-A3C	..3
6	9000465-0	3	HEX.FLANGE BOLT EN 1665-M8x180-8.8-A2C	..3
7	3932008-0	13	SPRING WASHER DIN 137-B6-FST-A3C	..3
8	3862327-0	13	HEX.SOCK.HD.CAP SCR. DIN 912-M6x25-8.8-A2C	..3
13	9000590-0	2	HEX.SOCK.SCR.PLUG WITH RUBBER SEAL M22x1,5	..3
14	2174072-0	4	RUBBER PAD	..3
16	2179260-1	1	COVER PRE OIL SEPARATOR 6 CYL.	.2
17	9000287-0	4	HEX.FLANGE BOLT EN 1665-M6x12-8.8-A3C	.2
19	3800238-0	2	HEX.HD.SCR. ISO 4017-M6x12-A2-70	.2
21	Z002051-1	1	OIL SEPARATOR WITH PIPE	.2
22	2178310-1	1	O-RING 17x3,53	.2
24	9000012-0	1	WASHER LARGE SERIES DIN 9021-6.4-140HV-A2	.2
26	3800233-0	2	HEX.HD.SCR. ISO 4017-M6x16-A2-70	.2
29	2178287-2	1	HOSE, OIL DRAIN L=560	.2
30	2174405-0	2	HOSE CLAMP 10-16/7,5 EN 10088-1	.2
31	2179657-0	1	HOSE IDM=8	.2
32	2203757-0	1	PIPE OIL-DIPSTICK	.2
33	2203571-2	1	PIPE OIL-DIPSTICK (INTERCOOL.)(ACCESSORY)	.2
34	2178566-0	1	PIPE CLAMP RSGU1.15/15-W5	.2
35	2177743-9	1	FISHPLATE OIL INTAKE PIPE PAINTED	.2
36	3800233-0	2	HEX.HD.SCR. ISO 4017-M6x16-A2-70	.2
38	2203751-1	1	OIL DIP STICK ASSY.	.2
39	2205429-1	1	OIL DIP STICK ASSY	.2
40	Z002004-0	1	OIL PUMP ASSY, PAINTED	.2
41	2170298-0	2	FITTING SLEEVE	..3
45	Z002005-4	1	RELIEF VALVE, OIL PUMP 6 CYL.	..3
48	2170276-1	1	ROTARY SHAFT SEAL	..3
49	2174067-0	1	SEALING RING	..3
52	9000278-0	6	HEX.FLANGE BOLT EN 1665-M8x35-8.8-A2C	.2



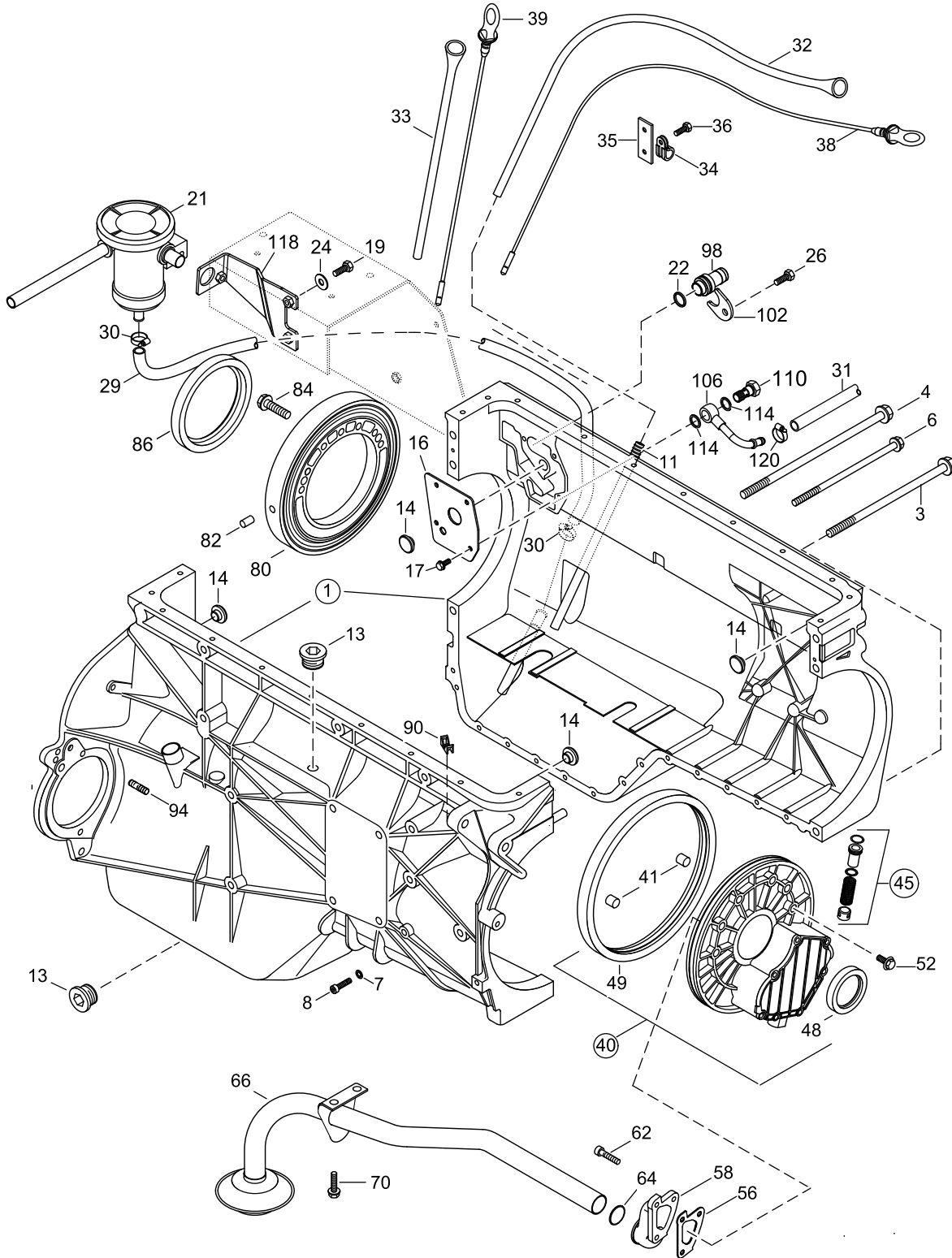


TA 0106

236 MARINE
K42 TURBO DIESEL
+ **SOLAS**

OILPUMP, OILPIPE, OILPAN, OIL DIPSTICK

01066184-2



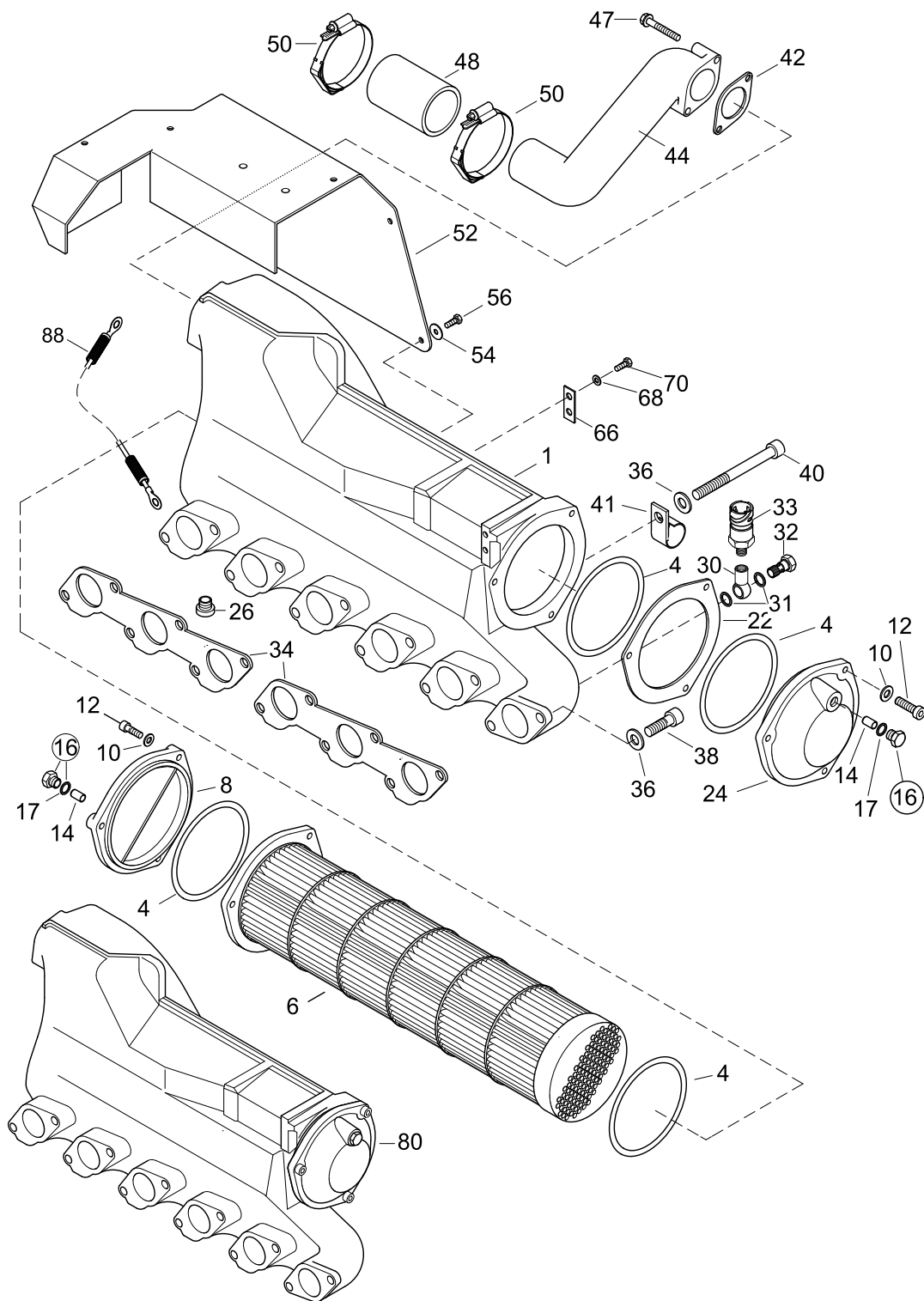


TA 0108

236 MARINE
K42 TURBO DIESEL
+ **SOLAS**

INTERCOOLER

01086184-1





INTERCOOLER	236 MARINE K42 TURBO DIESEL + SOLAS
--------------------	--

01086184-1

Pos.	Part.-No.	Qty	Designation	Step
1	2178443-9	1	INTERCOOLER HOUSING, (PAINTED)	.2
4	2178483-0	4	O-RING 120,24 x 3,53	.2
6	2177593-0	1	INTERCOOLER	.2
8	2178415-9	1	COVER INTERCOOLER REAR, PAINTED	.2
10	3930103-0	6	WASHER DIN 125-8.4-140HV-A2	.2
12	9000064-0	6	HEX.SOCK. HD.CAP SCR. DIN 912-M8x35-8.8-A3C	.2
14	2178413-1	2	ZINC ANODE	.2
16	Z002017-0	2	PLUG & SEAL FOR ZINC-ANODE	.2
17	3098020-0	1	SEALING RING DIN 7603-A18x22-CU	.3
22	2174270-0	1	SPACER, INTERCOOLER	.2
24	2174261-9	1	COVER INTERCOOLER FRONT, PAINTED	.2
26	9000587-0	1	HEX.SOCK.SCR.PLUG WITH RUBBER SEAL M14x1,5	.2
30	2179620-0	1	BRACKET BOOST PRESSURE SENSOR	.2
31	3098011-0	2	SEALING RING DIN 7603-A10x16-CU	.2
32	9000010-2	1	HOLLOW SCREW DN5 R1/8" DIN 7643	.2
33	2206305-0	1	PRESSURE SENSOR 1/8-27 NPT	.2
34	2177585-2	2	GASKET INTAKE MANIFOLD	.2
36	3930103-0	12	WASHER DIN 125-8.4-140HV-A2	.2
38	3862433-0	7	HEX.SOCK. HD.CAP SCR. DIN 912-M8x30-A2-70	.2
40	9000312-0	3	HEX.SOCK. HD.CAP SCR. DIN 912-M8x120-8.8-A2C	.2
41	O310947-0	3	J-CLAMPS	.2
42	2177584-2	1	GASKETTC-INTERCOOLER	.2
44	2178428-9	1	CHARGE PIPING, PAINTED	.2
47	9000304-0	2	HEX.FLANGE BOLT EN 1665-M8x60-8.8-A2C	.2
48	2177624-2	1	HOSE, TURBO SUPER CHARGER	.2
50	2179050-0	2	HOSE CLAMP WITH SPRING 40-60/9	.2
52	2178473-9	1	HEATSHIELD, INTERCOOLER, PAINTED	.2
54	9000012-0	5	WASHER LARGE SERIES DIN 9021-6.4-140HV-A2	.2
56	3800233-0	5	HEX.HD.SCR. ISO 4017-M6x16-A2-70	.2
66	2178615-9	2	BRACKET, HARNESS SUSPENSION, PAINTED	.2
68	3930070-0	2	WASHER DIN 125-6-140HV-A2	.2



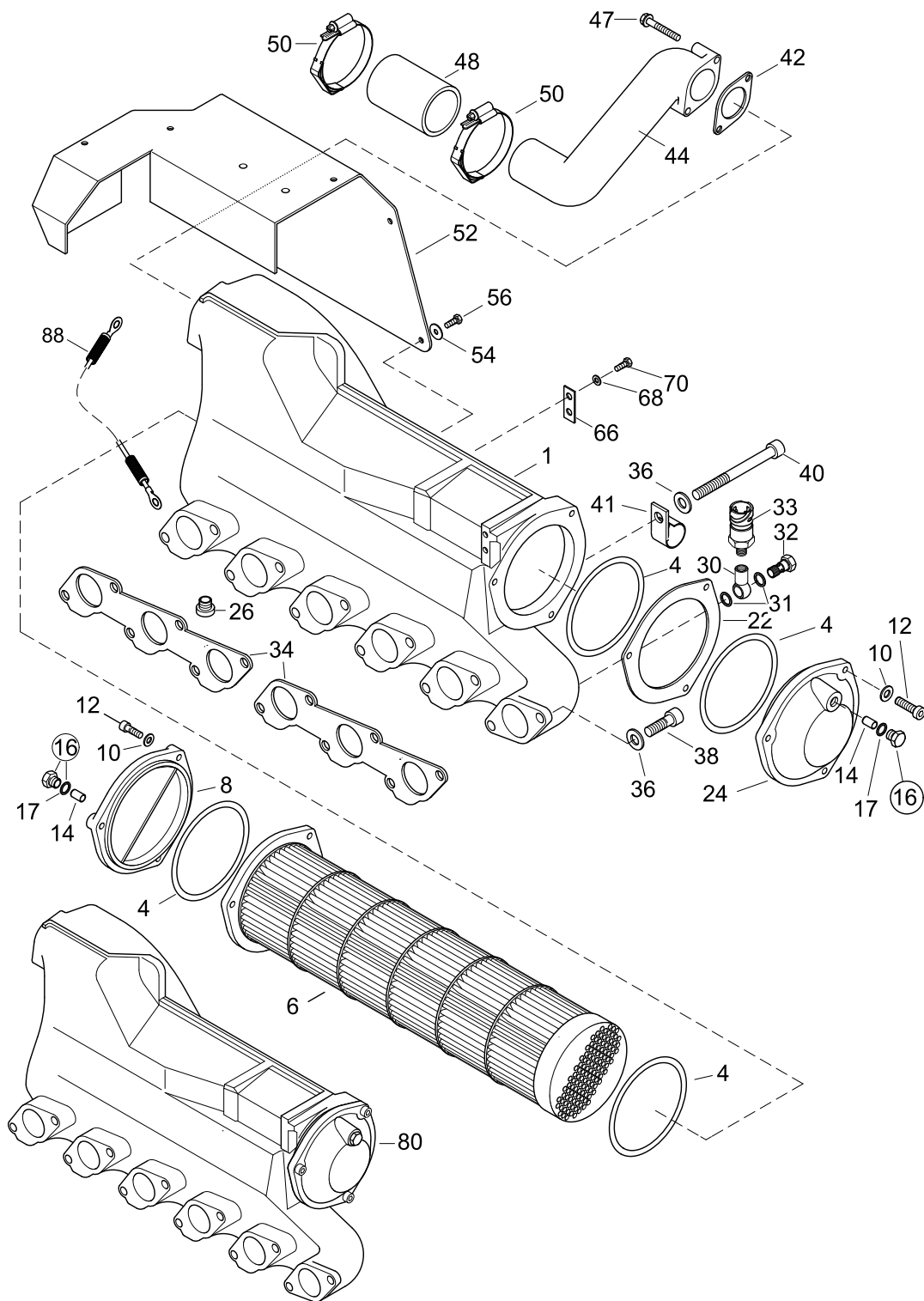


TA 0108

236 MARINE
K42 TURBO DIESEL
+ **SOLAS**

INTERCOOLER

01086184-1



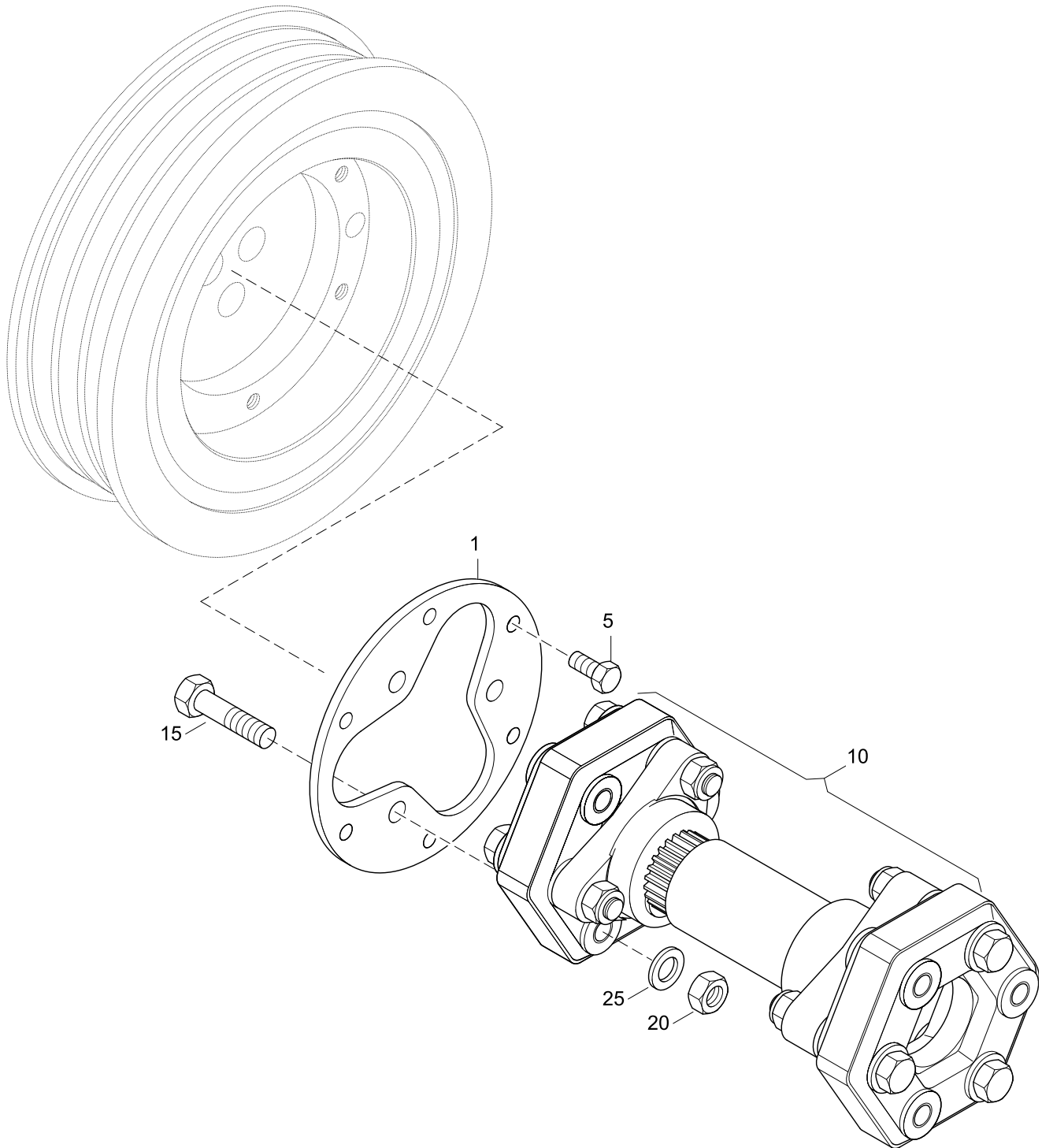


TA 0109

236 MARINE
K42 TURBO DIESEL
+ **SOLAS**

POWER TAKE OFF FRONT

01096084-0





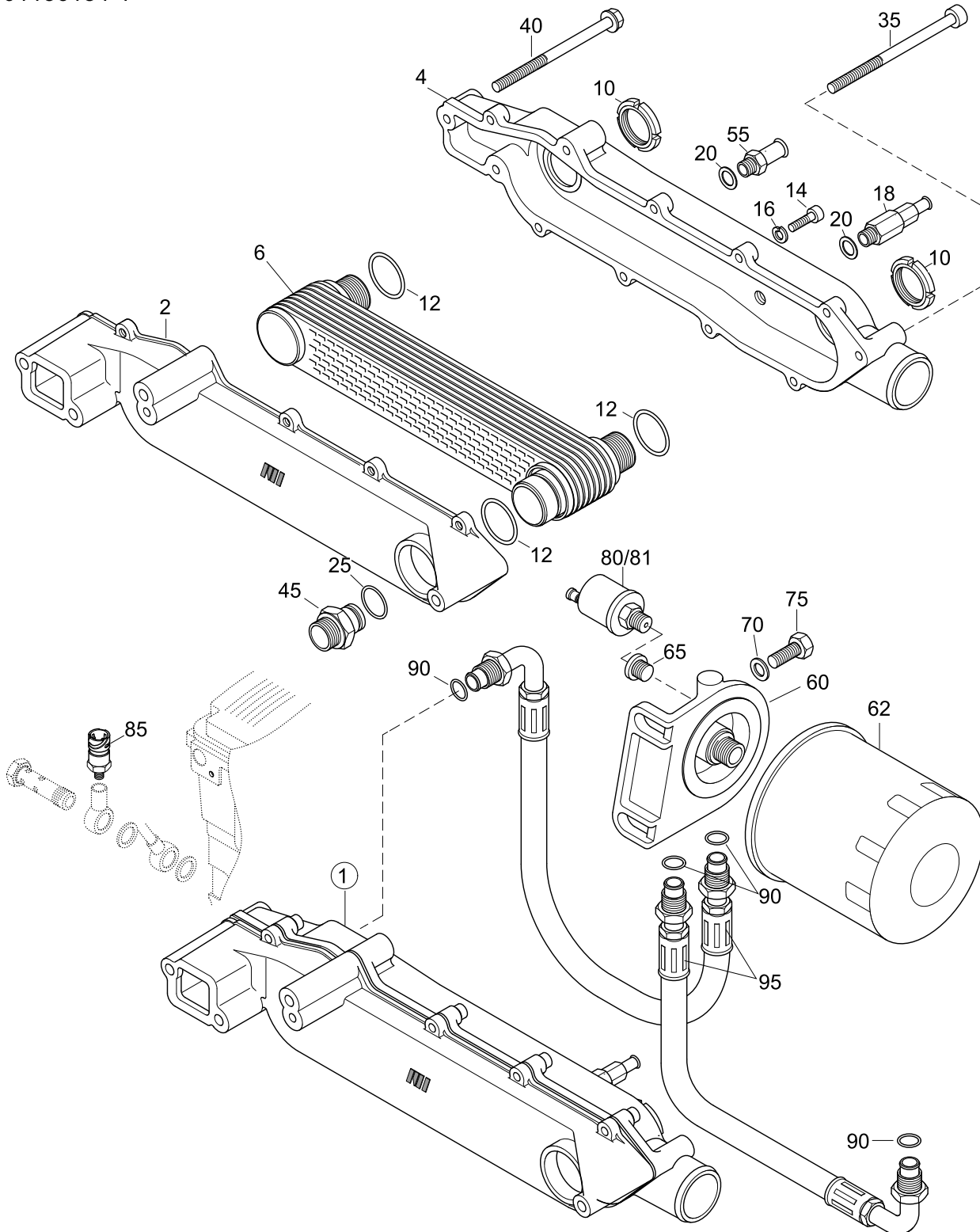
TA 0113



236 MARINE
K42 TURBO DIESEL
+ SOLAS

OILCOOLER , OILFILTER, OILHOSES

01136184-1





OILCOOLER , OILFILTER, OILHOSES

236 MARINE
K42 TURBO DIESEL
+ SOLAS

01136184-1

Pos.	Part.-No.	Qty	Designation	Step
1	2178485-2	1	OIL COOLER ASSY. (PAINTED)	.2
2	2178481-9	1	HOUSING, OIL COOLER, PAINTED	..3
4	2178482-9	1	COVER, OIL COOLER, PAINTED	..3
6	2178564-2	1	OIL COOLER	..3
10	9000315-0	2	GROOVE NUT DIN 70852-M30x1.5-14H-A3C	..3
12	2177741-0	3	O-RING 32,92 x 3,53	..3
14	3862327-0	8	HEX.SOCK. HD.CAP SCR. DIN 912-M6x25-8.8-A2C	..3
16	3932008-0	8	SPRING WASHER DIN 137-B6-FST-A3C	..3
18	2178598-0	1	DRAIN COCK ASSY.	..3
20	3098013-0	1	SEALING RING DIN 7603-A12x18-CU	..3
25	2177742-1	1	O-RING 25 x 3,53	.2
30	3930103-0	1	WASHER DIN 125-8.4-140HV-A2	.2
35	3860148-0	1	HEX.SOCK. HD.CAP SCR. DIN 912-M8x120-8.8-DAC A500	.2
40	9000248-1	3	HEX.FLANGE BOLT EN 1665-M8x110-10.9-A2C	.2
45	Z002127-0	1	SPARE P. BUSHING, OIL COOLER	.2
55	2178698-0	1	NIPPLE HEATER ON OILCOOLER (ACCESSORY)	.2
60	2178533-3	1	BRACKET OIL-FILTER ASSY. (PAINTED)	.2
62	2179472-0	1	OIL FILTER CARTRIDGE	.2
65	9000585-0	1	HEX.SOCK.SCR.PLUG WITH RUBBER SEAL M10x1	..3
70	3930075-0	4	WASHER DIN 125 A10.5-140HV-A2	.2
75	3802523-0	4	HEX.HD.SCR. ISO 4017-M10x25-8.8-A3C	.2
80	Z002640-0	1	OIL PRESSURE SENSOR 2 WAY (ACCESSORY)	.2
81	Z002641-0	1	OIL PRESSURE SENSOR 2 WAY TWIN INSTR.PANEL (ACC)	.2
85	2206305-0	1	PRESSURE SENSOR 1/8-27 NPT	.2
90	2178616-0	4	O-RING 14 x 1,78	.2
95	2178952-0	2	OIL HOSE ASSY.	.2



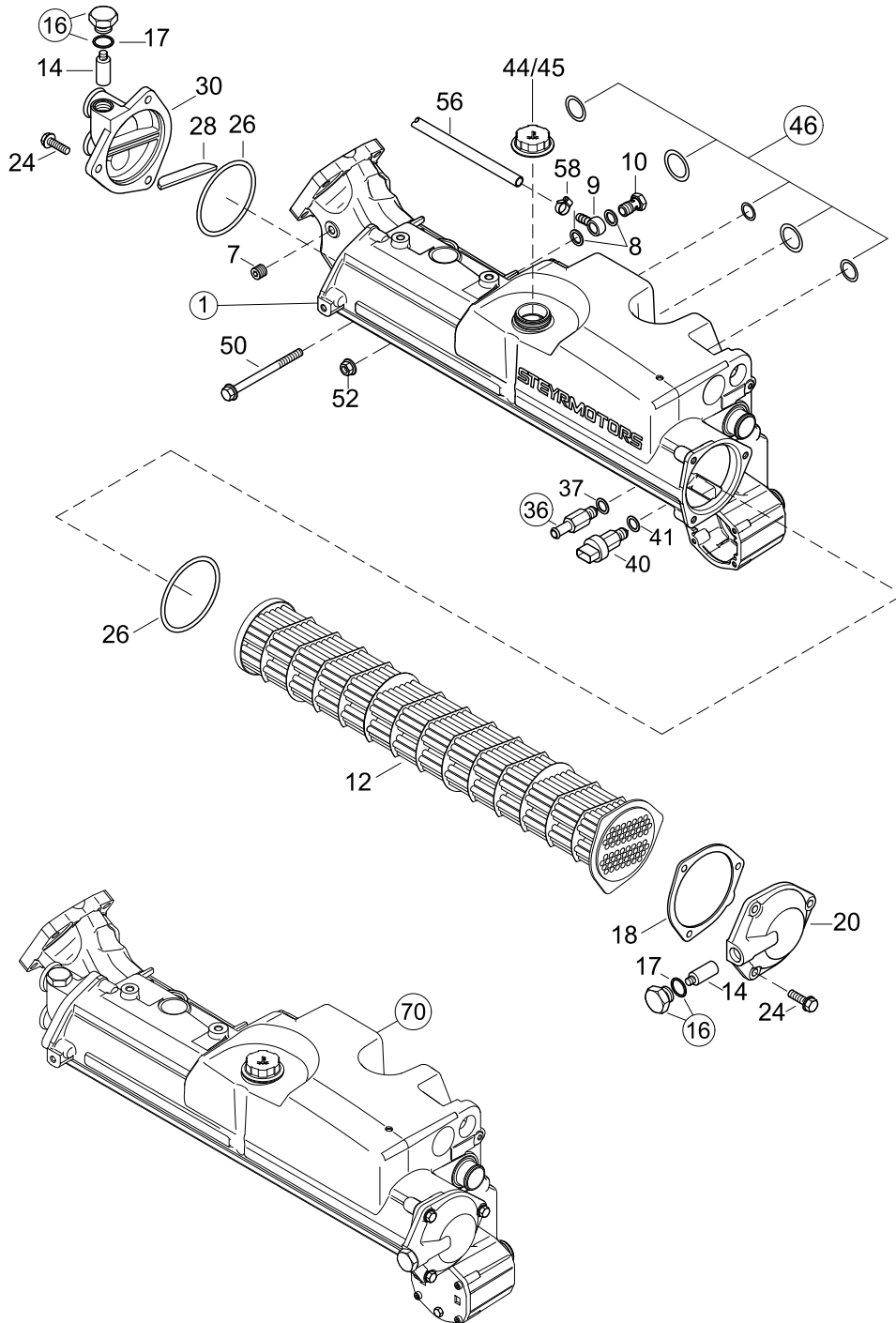


TA 0114

236 MARINE
K42 TURBO DIESEL
+ **SOLAS**

EXHAUST, HEAT EXCHANGER, GASKET

01146184-1





EXHAUST, HEAT EXCHANGER, GASKET

236 MARINE
K42 TURBO DIESEL
+ SOLAS

01146184-1

Pos.	Part.-No.	Qty	Designation	Step
1	Z002019-3	1	EXHAUST & HEATEXCHANGER HSG, PAINTED (O-RING, SCREW CAP)	.2
7	2170217-0	1	SCREW PLUG M10x1	..3
8	3098011-0	2	SEALING RING DIN 7603-A10x16-CU	..3
9	2174384-1	1	BANJO DN6 DIN 7642	..3
10	9000010-1	1	HOLLOW SCREW M10x1 DIN 7643-6-3-S	..3
12	2177613-0	1	HEATEXCHANGER	.2
14	2178413-1	2	ZINC ANODE	.2
16	Z002017-0	2	PLUG & SEAL FOR ZINC-ANODE	.2
17	3098020-0	1	SEALING RING DIN 7603-A18x22-CU	..3
18	2174155-1	1	GASKET, HEAT EXCHANGER COVER	.2
20	2173510-9	1	COVER HEAT EXCHANGER, FRONT PAINTED	.2
24	9000431-0	6	HEX.FLANGE BOLT EN 1665-M8x30-10.9-DAC	.2
26	2173636-0	2	O-RING 90x3	.2
28	2174073-0	1	SEAL FOR HEAT EXCHANGER COVER	.2
30	2177450-9	1	COVER HEAT EXCHANGER REAR, PAINTED	.2
36	Z002000-0	1	DRAIN, COOLANT WITH SEALING RING	.2
37	3098013-0	1	SEALING RING DIN 7603-A12x18-CU	..3
40	2174623-3	1	COOLANT TEMPERATURE SENSOR	.2
41	3098013-0	1	SEALING RING DIN 7603-A12x18-CU	.2
44	2179219-0	1	SEALING CAP COOLER 1 bar →682309999	.2
45	2179811-0	1	SEALING CAP COOLER 1,5 bar 682310001→	.2
46	Z002652-0	1	SEAL KIT, EXH.MANIF - BLOCK 6 CYL.MARINE (O-RINGS)	.2
50	9000248-1	12	HEX.FLANGE BOLT EN 1665-M8x110-10.9-A2C	.2
52	3880049-0	3	HEX.FLANGE NUT DIN 6923-M6-A2-70	.2
56	2178552-0	1	HOSE VENTING	.2
58	2178893-0	2	HOSE CLAMP 8-12-7,5	.2
70	Z002020-3	1	EXHAUST & HEATEXCHANGER ASSY, PAINTED (O-RING, SCREW CAP)	.2



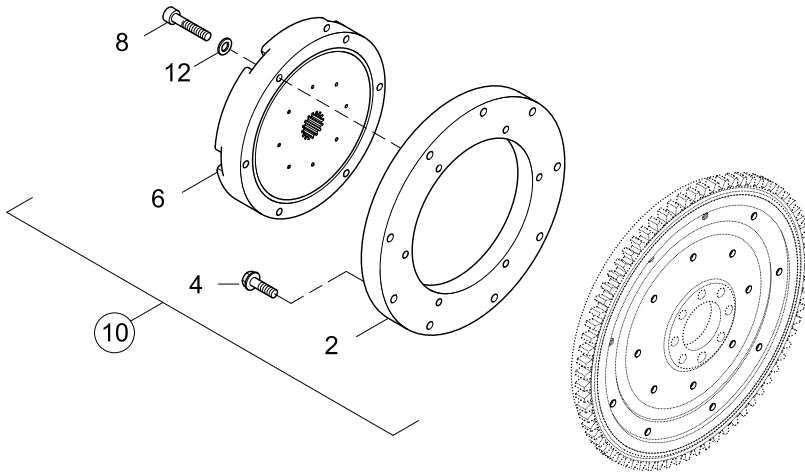


TA 0200

236 MARINE
K42 TURBO DIESEL
+ **SOLAS**

TORSIONAL COUPLING

02006184-2



TORSIONAL COUPLING



02006184-2

Pos.	Part.-No.	Qty	Designation	Step
2	2179163-0	1	ADAPTER-RING FLY-WHEEL	.2
4	9000431-0	9	HEX.FLANGE BOLT EN 1665-M8x30-10.9-DAC	.2
6	2179164-0	1	COUPLER 20/40-26T	.2
8	9000520-0	6	HEX.SOCK. HD.CAP SCR. ISO 4762-M8x50-10.9-DAC	.2
10	Z002066-V	1	COUPLING KIT 20/40-26T F.GEAR & SCREWS	.2
12	3930103-0	6	WASHER DIN 125-8.4-140HV-A2	.2



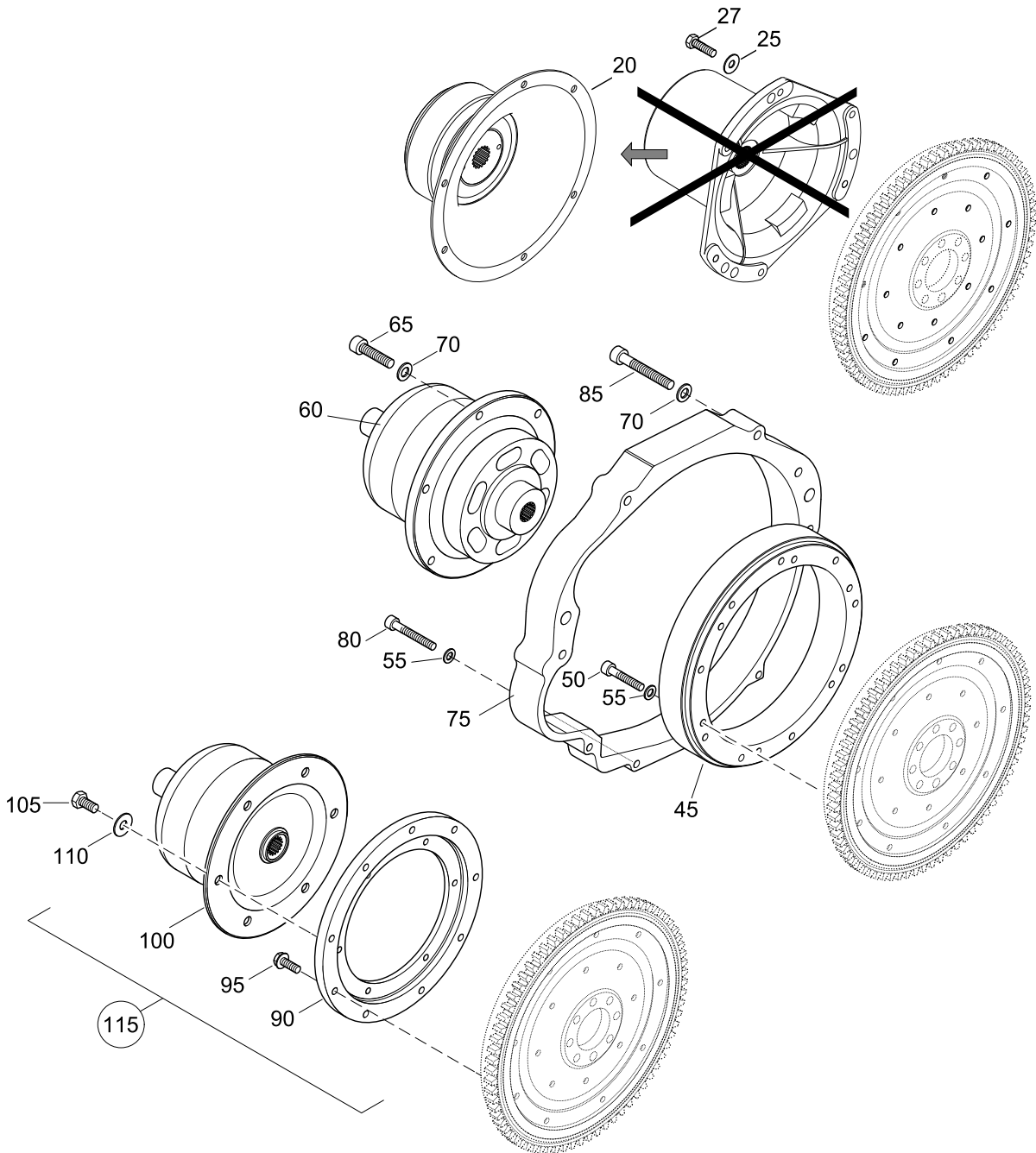


TA 0210

236 MARINE
K42 TURBO DIESEL
+ **SOLAS**

COUPLER

02106184-0





COUPLER

236 MARINE
K42 TURBO DIESEL
+ SOLAS

02106184-0

Pos.	Part.-No.	Qty	Designation	Step
20	Z021002-0	1	S.P. COUPLER	.2
25	3936103-0	6	WASHER LARGE SERIES ISO 7093-1-8-200HV-A3C	.2
27	3802430-0	6	HEX.HD.SCR. ISO 4017-M8x30-10.9-A2C	.2
45	2179073-0	1	ADAPTER FLY-WHEEL MERCURY DUAL STAGE	.2
50	3862452-0	9	HEX.SOCK. HD.CAP SCR. DIN 912-M8x50-8.8-A2C	.2
55	3930103-0	13	WASHER DIN 125-8.4-140HV-A2	.2
60	2178860-S	1	COUPLER MERCURY-BRAVO DUAL STAGE	.2
65	3860149-0	6	HEX.SOCK. HD.CAP SCR. DIN 912-M10x40-8.8-A3C	.2
70	3930075-0	11	WASHER DIN 125 A10.5-140HV-A2	.2
75	2179072-9	1	INTERMEDIATE FLANGE PAINTED	.2
80	3862478-0	4	HEX.SOCK. HD.CAP SCR. DIN 912-M8x80-8.8-A2C	.2
85	3862680-0	5	HEX.SOCK. HD.CAP SCR. DIN 912-M10x90-8.8-A2C	.2
90	2179078-0	1	ADAP. FLY-WHEEL MERCURY 6 CYL. (COM.)	.2
95	9000431-0	9	HEX.FLANGE BOLT EN 1665-M8x30-10.9-DAC	.2
100	2178860-M	1	COUPLER MERCURY	.2
105	3802515-0	6	HEX.HD.SCR. ISO 4017-M10x20-8.8-A3C	.2
110	3930075-0	6	WASHER DIN 125 A10.5-140HV-A2	.2
115	Z002066-4	1	COUPLING KIT MERCURY-BRAVO STERN-DRIVE (COM.)	.2



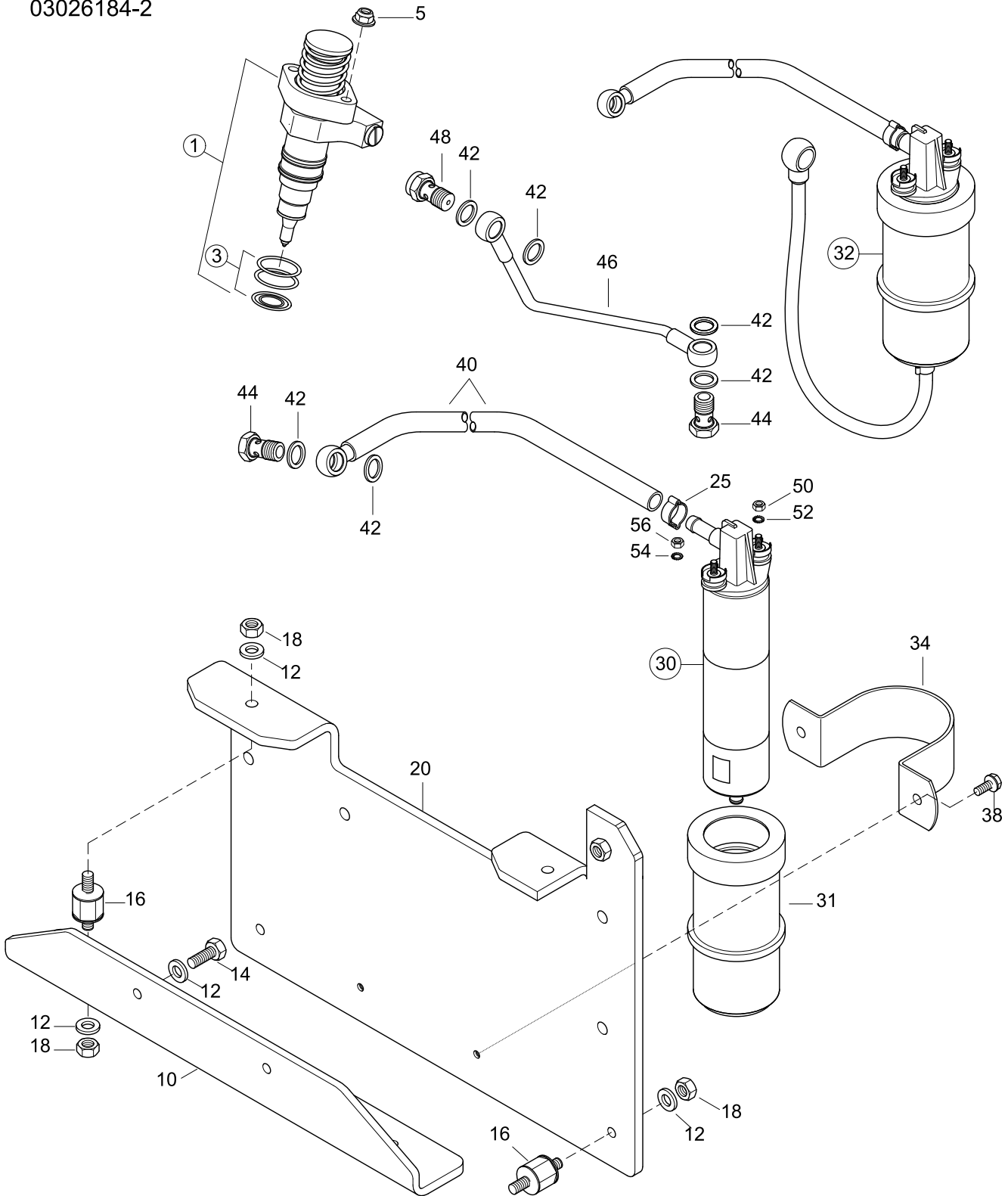


TA 0302

236 MARINE
K42 TURBO DIESEL
+ **SOLAS**

FUEL PUMP, UNIT INJECTOR, PIPE

03026184-2





FUEL PUMP, UNIT INJECTOR, PIPE	236 MARINE K42 TURBO DIESEL + SOLAS
---------------------------------------	--

03026184-2

Pos.	Part.-No.	Qty	Designation	Step
1	Z002030-7	6	UNIT INJECTOR + SEALINGS 2176557/0	.2
3	Z002031-0	1	SEAL KIT, UNIT INJECTOR	..3
5	9000056-1	12	HEX.FLANGE NUT DIN 6923-M8-8-A2C	.2
10	2177634-0	1	ANGLE BRACKET	.2
12	3930103-0	8	WASHER DIN 125-8.4-140HV-A2	.2
14	3800224-0	2	HEX.HD.SCR. ISO 4017-M8x20-A2-70	.2
16	2177619-1	4	SILENT BLOCK M8	.2
18	3870045-0	6	HEX.NUT ISO 4032-M8-A2-70	.2
20	2178294-9	1	FILTER PLATE, PAINTED	.2
25	2178995-0	1	HOSE CLAMP 17,5mm	.2
30	2173396-4	1	FUEL PUMP 12V (WITH ISOLATING SLEEVE)	.2
31	2173396-1	1	ISOLATING SLEEVE FUEL PUMP	..3
32	Z002054-1	1	FUEL PUMP ASSY & LINES	.2
34	2178690-0	1	RETAINING STRAP	.2
38	9000287-0	2	HEX.FLANGE BOLT EN 1665-M6x12-8.8	.2
40	2203766-1	1	FUEL HOSE PUMP/BLOCK	.2
42	3098015-0	6	SEALING RING DIN 7603-A14x20-CU	.2
44	9000053-0	2	HOLLOW SCREW M14x1,5 DIN 7643-10-DAC A500	.2
46	2178726-0	1	FUELLINE BLOCK-TANDEM COOLER	.2
48	2178572-1	1	HOLLOW SCREW THROTTLED	.2
50	3870050-0	1	HEX.NUT DIN 934-M5-A2-70	.2
52	9000040-0	1	TOOTHED LOCK WASHER EXTERN. DIN 6797-A5.3-1.4310	.2
54	9000039-0	1	TOOTHED LOCK WASHER EXTERN. DIN 6797-A4.3-1.4310	.2
56	3870051-0	1	HEX.NUT ISO 4032-M4-A2-70	.2





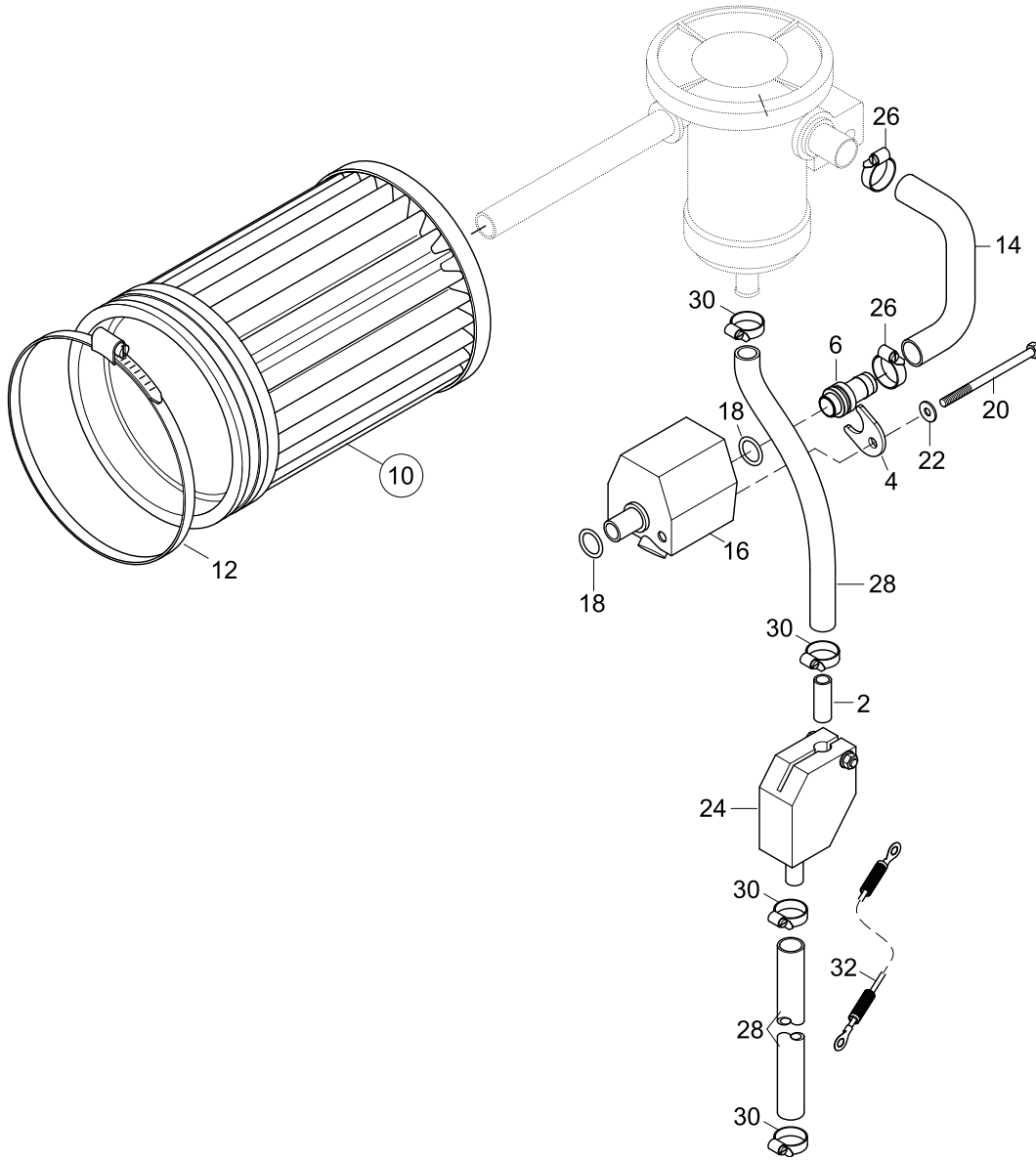
TA 0304



236 MARINE
K42 TURBO DIESEL
+ SOLAS

AIRFILTER, INVERSION VALVE SOLAS

03046184-0



AIRFILTER, INVERSION VALVE SOLAS

236 MARINE
K42 TURBO DIESEL
+ SOLAS

03046184-0

Pos.	Part.-No.	Qty	Designation	Step
2	2179550-0	1	PIPE	.2
4	2179543-0	1	CLAMPING PLATE	.2
6	2179544-0	1	FITTINGDM16	.2
10	Z002100-4	1	AIR FILTER + HOSE CLAMP	.2
12	2179195-0	1	HOSE CLAMP 110-130/9	..3
14	2178581-2	1	MOULDED HOSE OIL SEPARATOR	.2
16	2179069-9	1	BALL VALVE ASSY. (PAINTED)	.2
18	2178310-1	2	O-RING 17x3,53	.2
20	9000452-0	1	HEX.HD.BOLT ISO 4014-M6x75-A2-70	.2
22	9000012-0	1	WASHER LARGE SERIES DIN 9021-6.4-140HV-A2	.2
24	2179070-9	1	BALL VALVE ASSY. (PAINTED)	.2
26	2177753-0	1	HOSE CLAMP 16-25/9 EN 10088-1	.2
28	2178287-2	1	HOSE, OIL DRAINL=560	.2
30	2174405-0	2	HOSE CLAMP 10-16/7,5 EN 10088-1	.2
32	2206210-1	1	GROUND WIRE ASSY.	.2



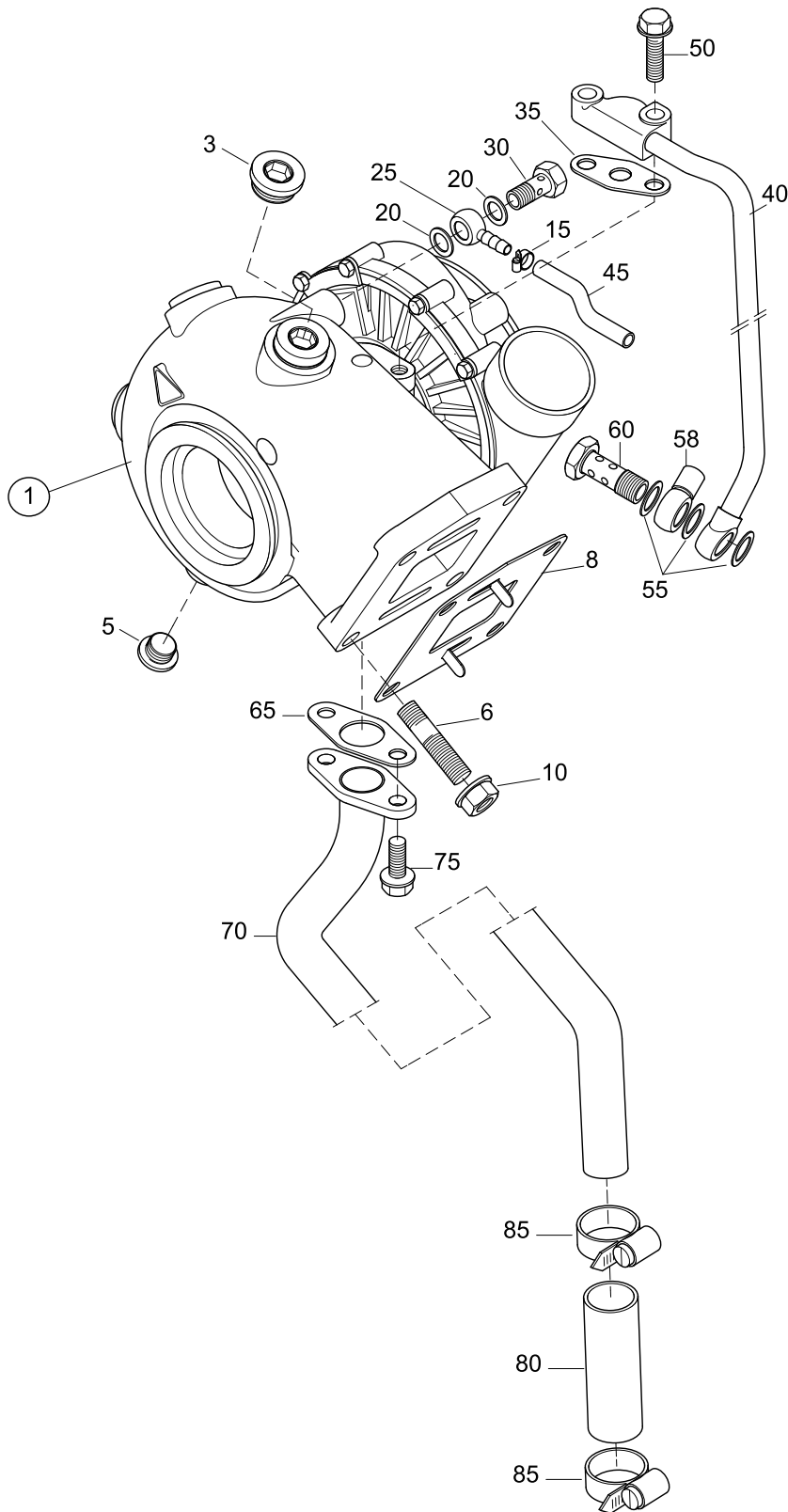


TA 0305

236 MARINE
K42 TURBO DIESEL
+ SOLAS

TURBOCHARGER

03056184-1





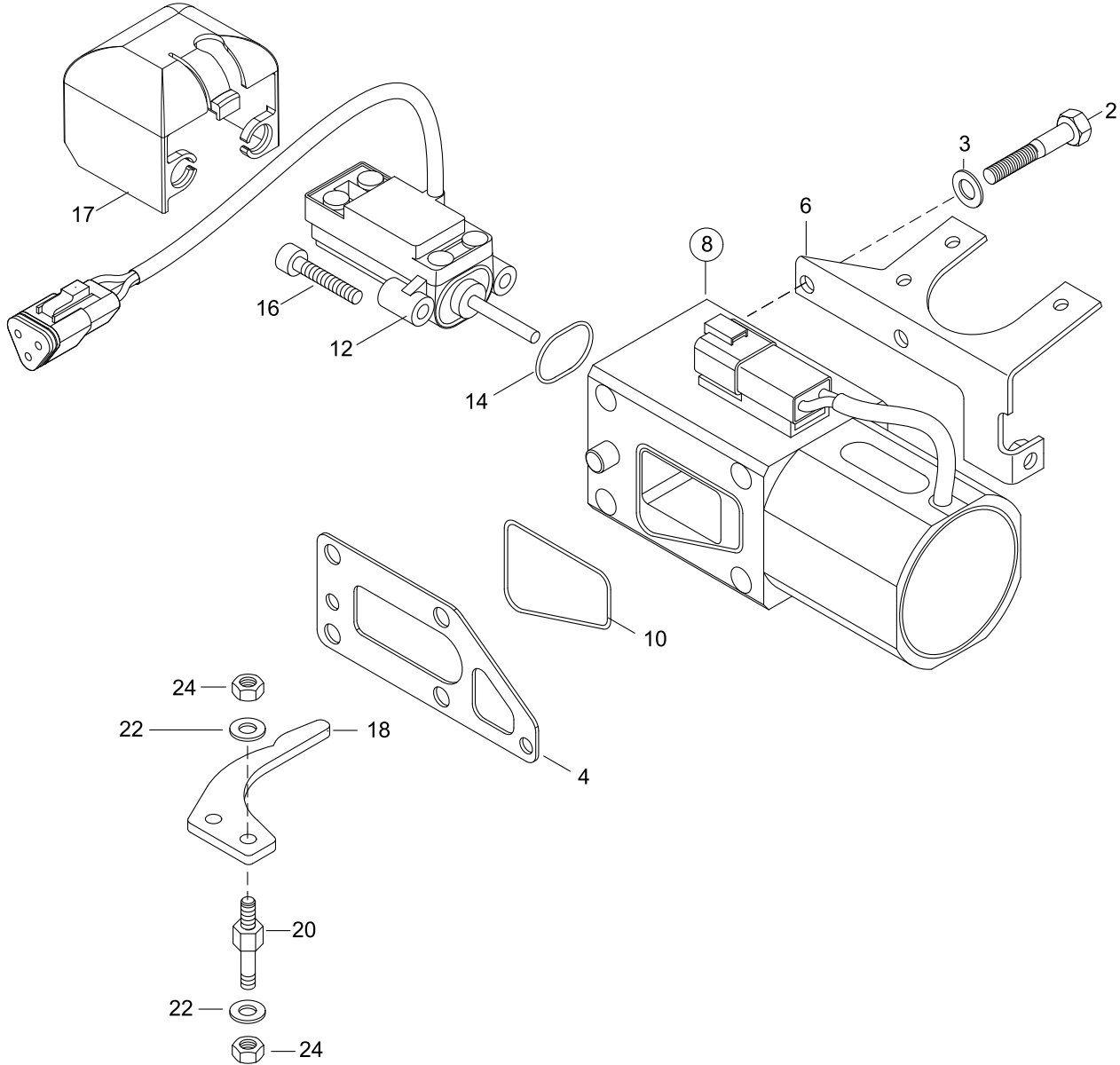
TA 0308



236 MARINE
K42 TURBO DIESEL
+ SOLAS

CONTR. SOLENOID, SENSOR CONTR. RACK POSITION

03086184-1



CONTR. SOLENOID, SENSOR CONTR. RACK POSITION

236 MARINE
K42 TURBO DIESEL
+ SOLAS

03086184-1

Pos.	Part.-No.	Qty	Designation	Step
2	9000446-1	4	HEX.HD.BOLT ISO 4014-M8x70-A4-70	.2
3	3930103-0	4	WASHER DIN 125-8.4-140HV-A2	.2
4	2205223-0	4	SEAL, SOLENOID (TILL 2006)	.2
6	2178955-1	1	BRACKET CONTROL SOLENOID	.2
8	Z002153-0	1	CONTROL SOLENOID W. SENSOR CONTROL RACK POSITION	.2
10	2179707-0	1	O-RING 43x3,5	.3
12	Z002160-0	1	SENSOR, CONTROL RACK POSITION	.3
14	2179708-0	1	O-RING 18x1,5	.3
16	9000116-1	2	HEX.SOCK. HD.CAP SCR. DIN 912-M5x20-A2-70	.3
17	2179766-0	1	PROTECTING CAP, RACK-SENSOR	.3
18	2176745-2	1	CONTROL-LEVER	.2
20	2176746-1	2	DISTANCE-SHAFT	.2
22	3931062-0	4	SPRING LOCK WASHER DIN 127-B5-FST-A3C	.2
24	3871222-0	4	HEX.NUT ISO 4032-M5-8-A2C	.2





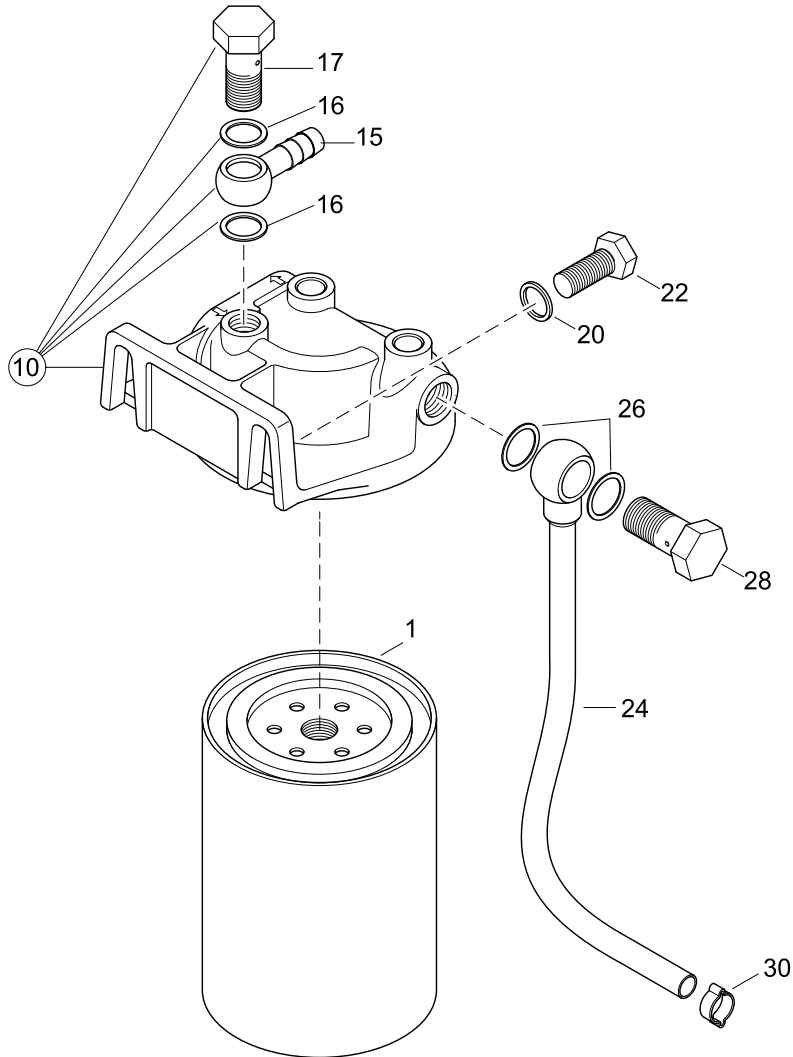
TA 0309



236 MARINE
K42 TURBO DIESEL
+ **SOLAS**

FUEL FILTER

03096184-1



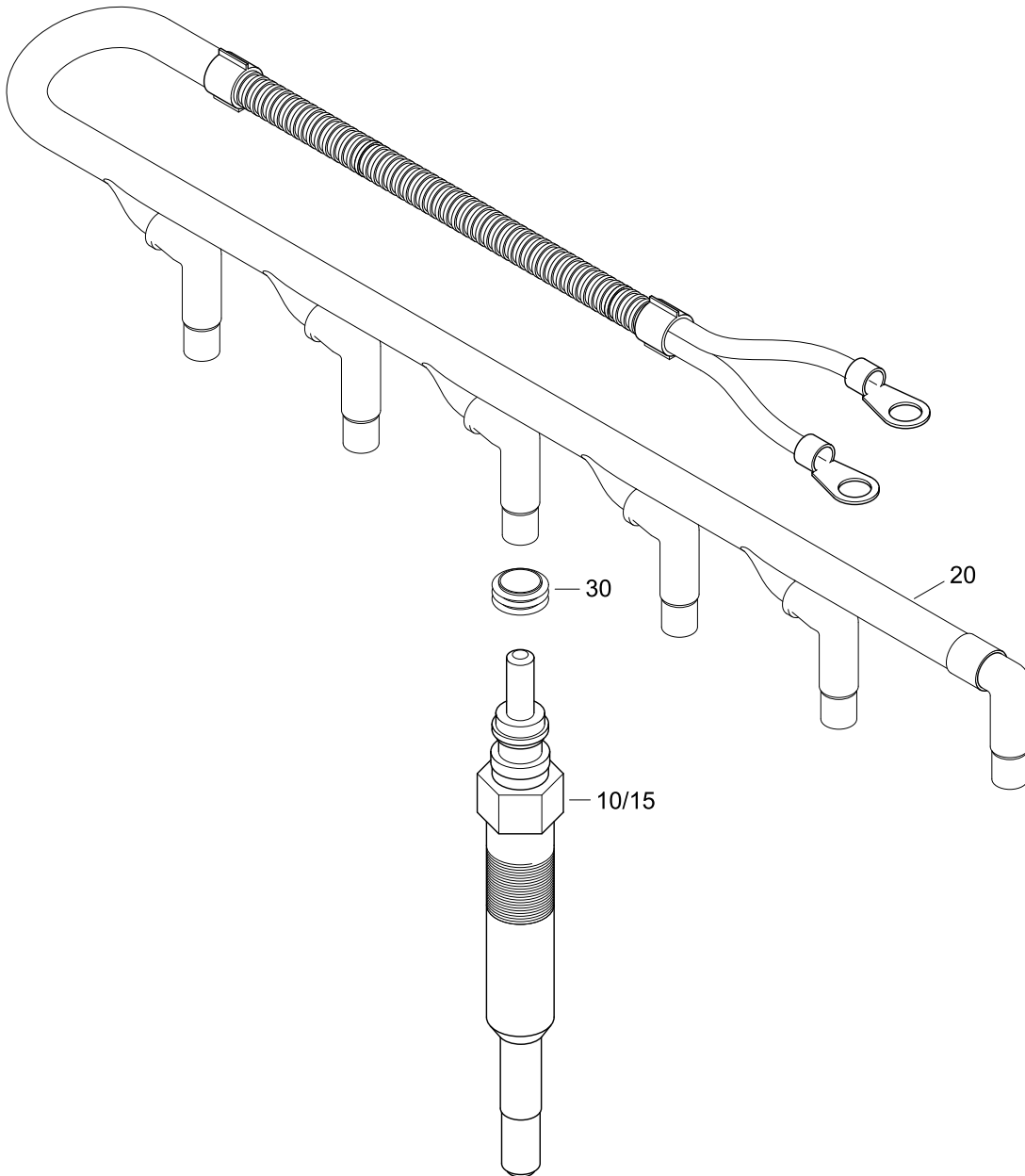


TA 0311

236 MARINE
K42 TURBO DIESEL
+ **SOLAS**

GLOW PIN

03116084-0





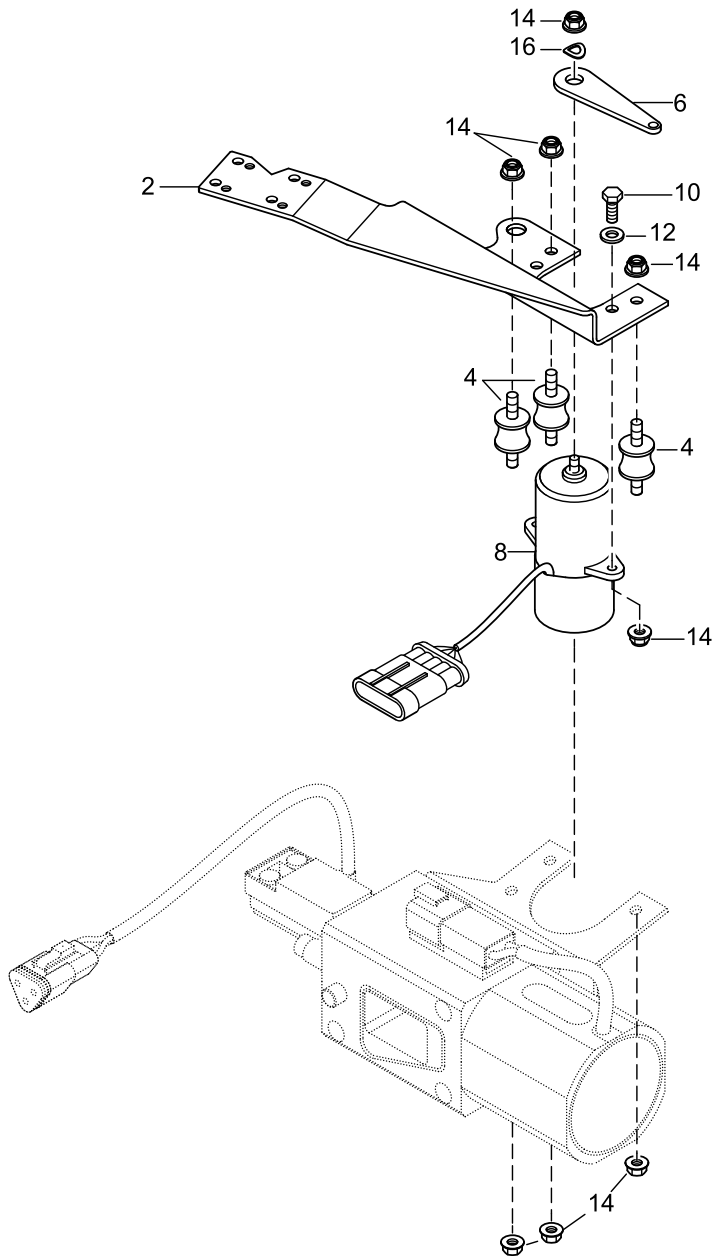
TA 0312



236 MARINE
K42 TURBO DIESEL
+ **SOLAS**

POTENTIOMETER ACCELERATOR

03126184-1



POTENTIOMETER ACCELERATOR	236 MARINE K42 <small>TURBO DIESEL</small> + SOLAS
----------------------------------	---

03126184-1

Pos.	Part.-No.	Qty	Designation	Step
2	2178954-0	1	BRACKET POTENTIOMETER ACCELER.	.2
4	2203744-0	3	RUBBER MOUNT	.2
6	2203777-0	1	LEVER POTENTIOMETER	.2
8	2176860-1	1	POTENTIOMETER ACCELERATOR	.2
10	3800233-0	2	HEX.HD.SCR. ISO 4017-M6x16-A2-70	.2
12	3930070-0	2	WASHER DIN 125-6-140HV-A2	.2
14	3880049-0	9	HEX.FLANGE NUT DIN 6923-M6-A2-70	.2
16	3932008-0	1	SPRING WASHER DIN 137-B6-FST-A3C	.2



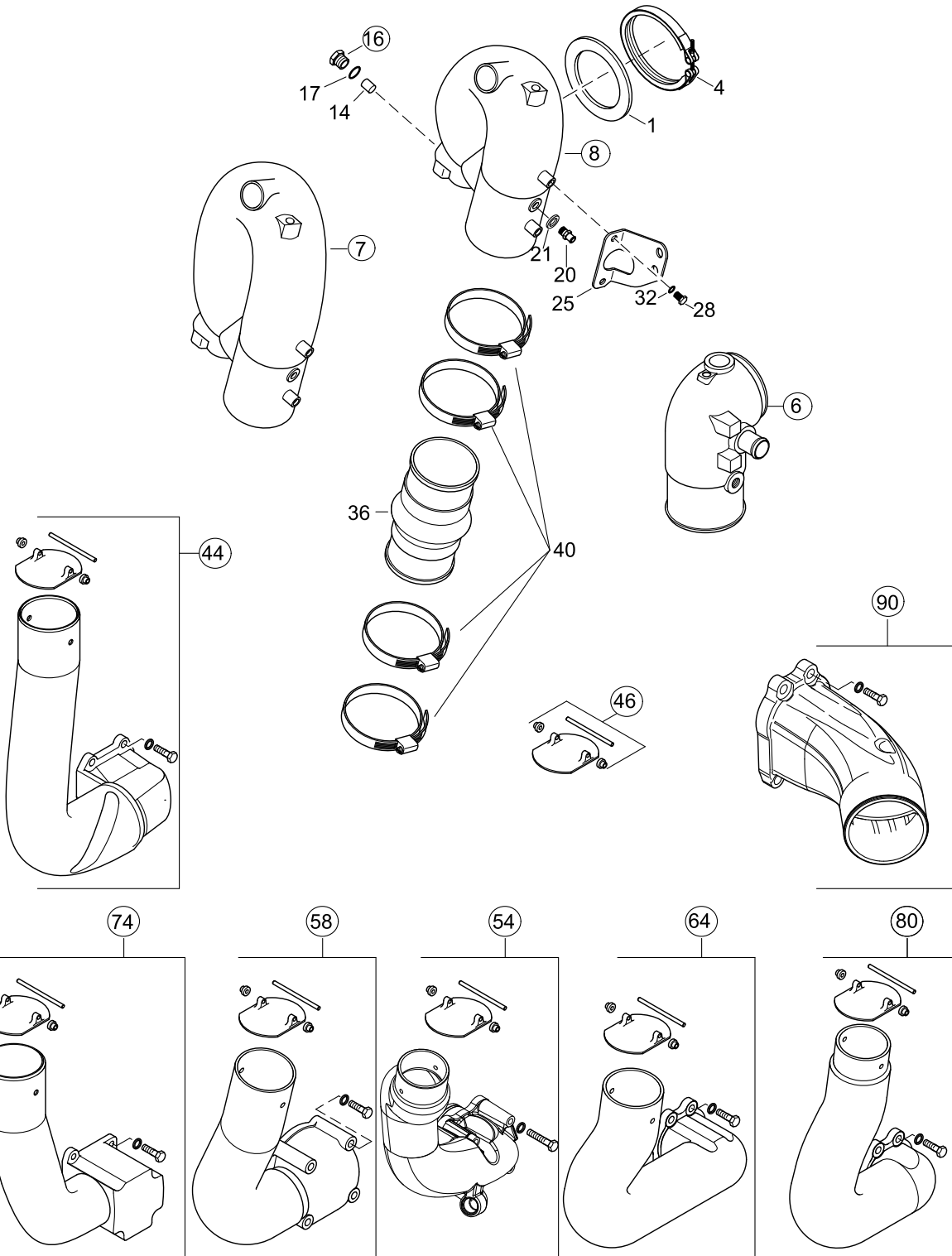
TA 0401



236 MARINE
K42 TURBO DIESEL
+ SOLAS

HIGH RISER, EXHAUSTPIPE

04016184-0



HIGH RISER, EXHAUSTPIPE

236 MARINE
K42 TURBO DIESEL
 + SOLAS

04016184-0

Pos.	Part.-No.	Qty	Designation	Step
1	2178505-2	1	GASKET ELBOW EXHAUST	.2
4	2173297-0	1	CLAMP	.2
6	Z002095-0	1	ELBOW ASSY. EXHAUST (PAINTED)	.2
7	Z002625-0	1	ELBOW ASSY, EXHAUST, 3" HIGHER (PAINTED) (VDO)	.2
8	Z002626-0	1	ELBOW EXHAUST ASSY. - VDO (PAINTED)	.2
14	2178413-1	1	ZINC ANODE	.3
16	Z002017-0	1	PLUG & SEAL FOR ZINC-ANODE	.3
17	3098020-0	1	SEALING RING DIN 7603-A18x22-CU	.3
20	2174623-3	1	COOLANT TEMPERATURE SENSOR	.2
21	9000786-0	1	SEALING RING DIN 7603-A12x16-CU	.2
25	2178350-1	1	SUPPORT, ELBOW EXHAUST (KTL)	.2
28	3800224-0	3	HEX.HD.SCR. ISO 4017-M8x20-A2-70	.2
32	3930103-0	3	WASHER DIN 125-8.4-140HV-A2	.2
36	Z002072-0	1	KIT, HOSE-EXHAUST PIPE	.2
40	2178943-0	4	HOSE CLAMP 90-110/12	.3
44	2178896-0	1	EXHAUST PIPE AY. (PAIN.) VOLVO SX/OMC KING COBRA	.2
46	Z002063-0	1	FLAP KIT, EXHAUST PIPE	.3
54	2178885-0	1	EXHAUST PIPE AY. (PAIN.) VOLVO DP290 R4, R6	.2
58	2178885-1	1	EXHAUST PIPE AY. (PAIN.) VOLVO DP290 V8	.2
64	2178886-1	1	EXHAUST PIPE AY. (PAIN.) MERCURY	.2
74	2178925-0	1	EXHAUST PIPE AY. (PAIN.) STERNPOWER	.2
80	2178886-2	1	EXHAUST PIPE ASSY. DUAL STAGE COUPLER	.2
90	Z002121-0	1	EXHAUST FLANGE MERCURY-TRANSOM (PAINTED)	.2



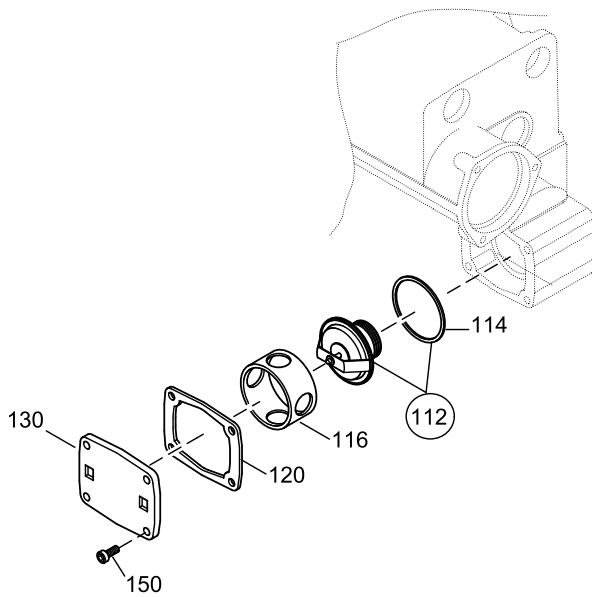
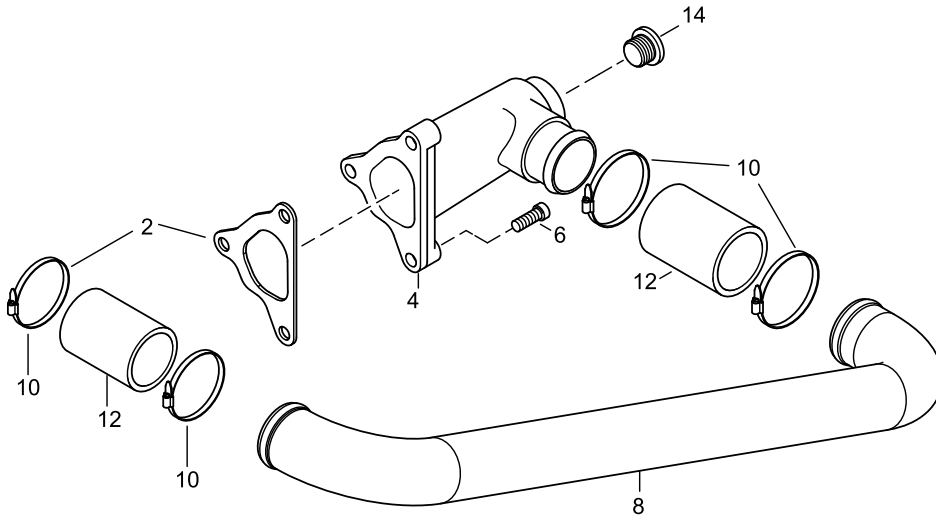


TA 0503

236 MARINE
K42 TURBO DIESEL
+ **SOLAS**

WATERPIPE, THERMOSTAT

05036184-2





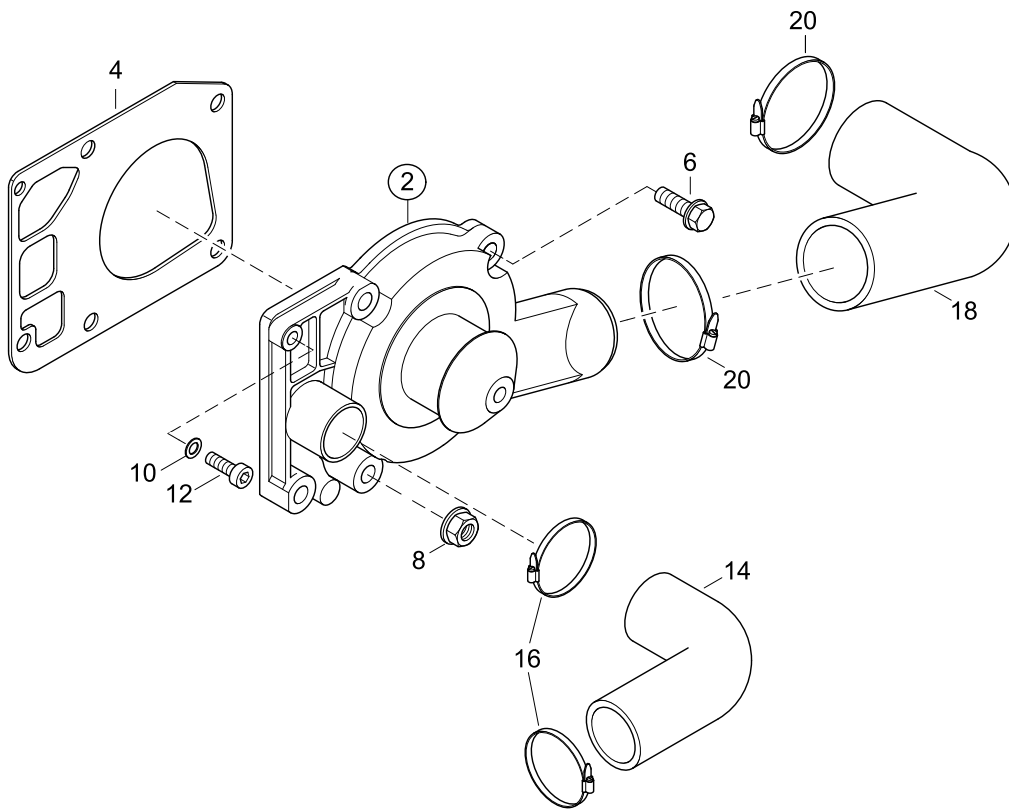
TA 0504



236 MARINE
K42 TURBO DIESEL
+ **SOLAS**

WATERPUMP

05046154-0





WATERPUMP	236 MARINE K42 TURBO DIESEL + SOLAS
------------------	--

05046154-0

Pos.	Part.-No.	Qty	Designation	Step
2	Z002425-0	1	WATERPUMP ASSY. (PAINTED) INCL. GASKET	.2
4	2177329-2	1	GASKET WATERPUMP-HOUSING	..3
6	9000431-0	4	HEX.FLANGE BOLT EN 1665-M8x30-10.9-DAC	.2
8	9000056-1	1	HEX.FLANGE NUT DIN 6923-M8-8-A2C	.2
10	3932008-0	1	SPRING WASHER DIN 137-B6-FST-A3C	.2
12	3862327-0	1	HEX.SOCK. HD.CAP SCR. DIN 912-M6x25-8.8-A2C	.2
14	2178462-0	1	HOSE-ELBOW 32/90°x 88	.2
16	2174406-0	2	HOSE CLAMP 25-40/9	.2
18	2179813-0	1	MOULDED HOSE	.2
20	2174407-0	2	HOSE CLAMP 40-60/9	.2



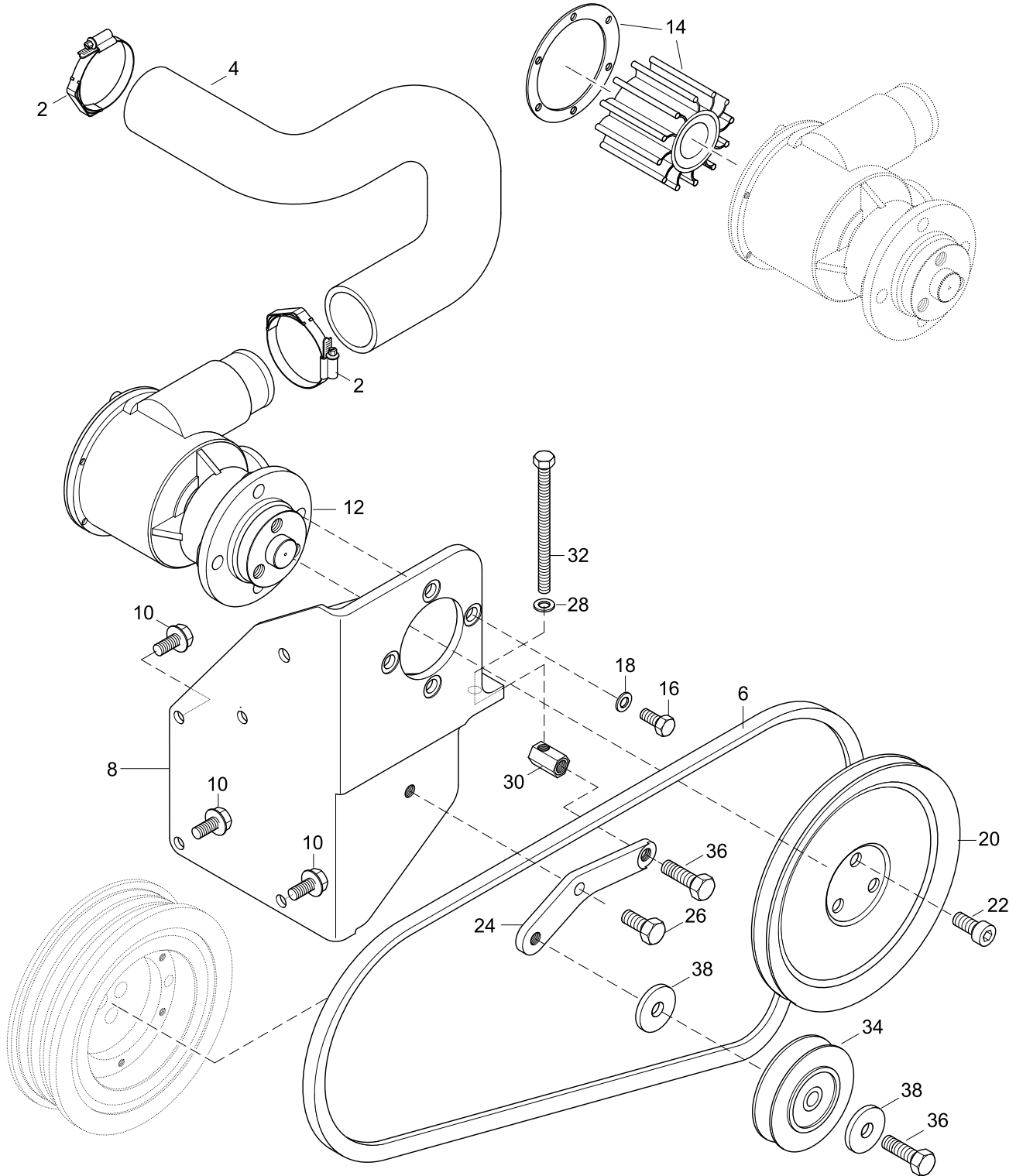


TA 0510

236 MARINE
K42 TURBO DIESEL
+ **SOLAS**

RAW WATER PUMP

05106184-1



RAW WATER PUMP

236 MARINE
K42 TURBO DIESEL
+ SOLAS

05106184-1

Pos.	Part.-No.	Qty	Designation	Step
2	2179044-0	2	HOSE CLAMP WITH SPRING 25-40/9	.2
4	2203768-0	1	HOSE PUMP-TANDEM COOLER	.2
6	9000440-0	1	V-BELT, AVX10x1115LA	.2
8	2179020-8	1	CAST BRACKET WATERPUMP (PAINTED)	.2
10	9000431-0	5	HEX.FLANGE BOLT EN 1665-M8x30-10.9-DAC	.2
12	2203714-8	1	RAW WATER PUMP STANDARD IMPELLER (PAINTED)	.2
14	Z011753-2	1	SERVICE KIT, RAW WATER PUMP (WITH GREASE)	.2
16	3800221-0	4	HEX.HD.SCR. ISO 4017-M6x20-A2-70	.2
18	3930070-0	4	WASHER DIN 125-6-140HV-A2	.2
20	2179023-1	1	PULLEY RAW WATER PUMP D210 (KTL)	.2
22	3860152-0	3	HEX.SOCK. HD.CAP SCR. DIN 912-M8x16-A2-70	.2
24	2179038-0	1	TENSIONER BRACKET	.2
26	3800224-0	1	HEX.HD.SCR. ISO 4017-M8x20-A2-70	.2
28	3930103-0	1	WASHER DIN 125-8.4-140HV-A2	.2
30	2177659-1	1	NUT ALTERNATOR-TENSIONER	.2
32	9000434-0	1	HEX.HD.SCR. DIN 933-M8x130-A2-70	.2
34	2179027-0	1	PULLEY ASSY	.2
36	9000356-0	2	HEX.HD.SCR. ISO 4017-M8x30-A2-70	.2
38	2179067-0	2	FITTING SLEEVE	.2





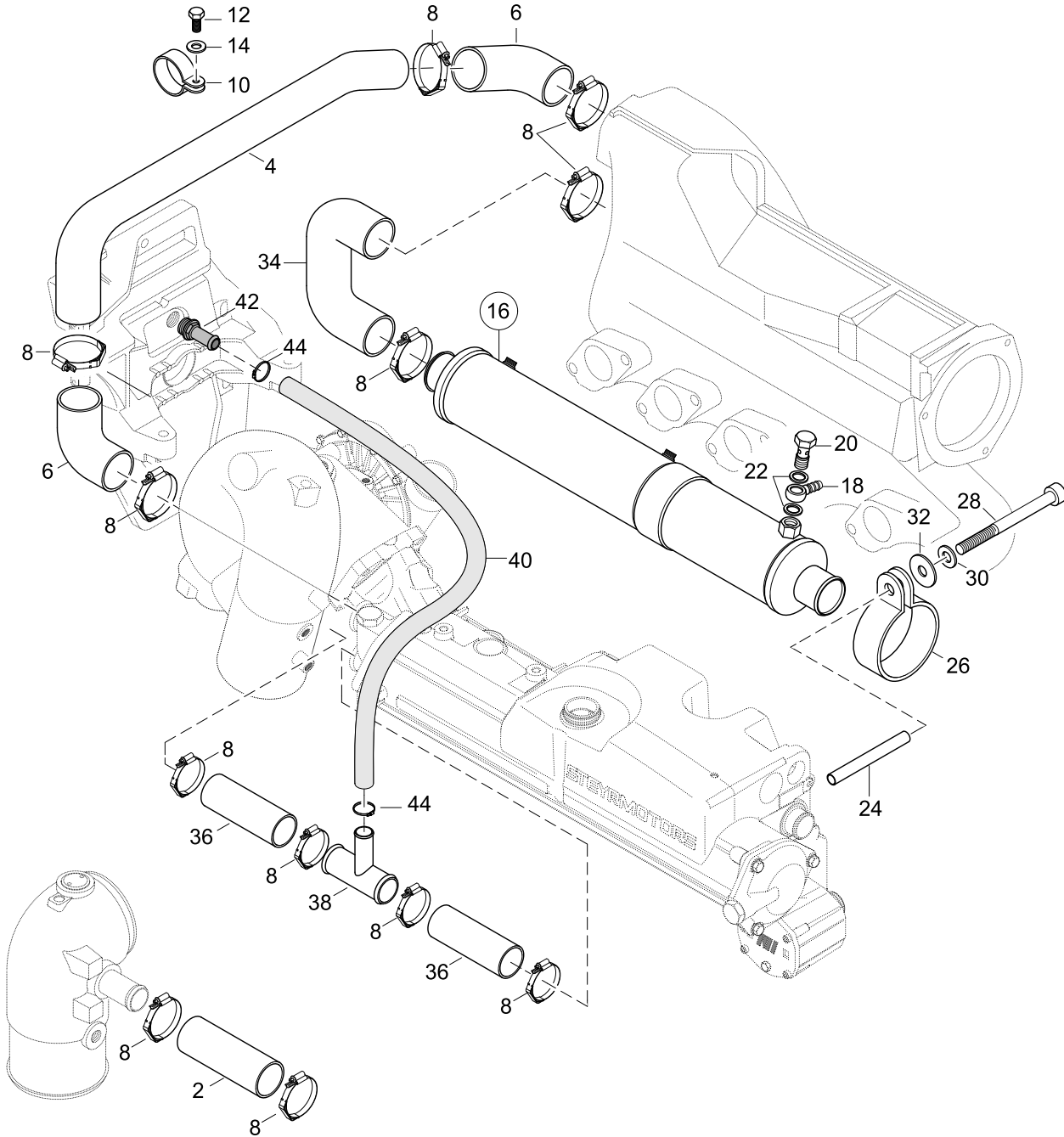
TA 0512



236 MARINE
K42 TURBO DIESEL
+ **SOLAS**

RAW WATER PIPES, FUEL-HYDRAULIC OIL COOLER

05126184-2



RAW WATER PIPES, FUEL-HYDRAULIC OIL COOLER

236 MARINE
K42 TURBO DIESEL
+ SOLAS

05126184-2

Pos.	Part.-No.	Qty	Designation	Step
2	2177760-0	1	COOLING-WATER HOSE	.2
4	2178303-0	1	TUBE AIR COOLER-HEAT EXCHANGER (KTL)	.2
6	2173704-0	2	HOSE-ELBOW 32/90°x 58	.2
8	2179044-0	8	HOSE CLAMP WITH SPRING 25-40/9	.2
10	2178446-0	1	PIPE CLAMP RSGU1.32/15-W5	.2
12	3800233-0	1	HEX.HD.SCR. ISO 4017-M6x16-A2-70	.2
14	3930070-0	1	WASHER DIN 125-6-140HV-A2	.2
16	Z002097-0	1	TANDEM COOLER ASSY. (PAINTED)	.2
18	2174383-1	1	BANJO FITTING DN8 DIN 7642-A2C	..3
20	9000053-0	1	HOLLOW SCREW M14x1,5 DIN 7643-10-ZN/NI	..3
22	3098015-0	2	SEALING RING DIN 7603-A14x20-CU	..3
24	2178702-5	1	SPACER TUBE	.2
26	2178385-0	2	PIPE CLAMP 54/20	.2
28	9000444-0	2	HEX.SOCK. HD.CAP SCR. DIN 912-M8x180-8.8 DAC	.2
30	3930103-0	2	WASHER DIN 125-8.4-140HV-A2	.2
32	O125134-0	2	WASHER LARGE	.2
34	2203769-0	2	MOLDED HOSE TDK-INTERCOOLER	.2
36	2177760-0	2	COOLING-WATER HOSE	.2
38	2040095-2	1	PIPE ENGINE-COOLANT 32/19	.2
40	2179330-1	1	HOSE RAW WATER 20x2000	.2
42	9000468-1	1	SCREW IN SOCKET	.2
44	2177464-0	2	CLAMP 20-32/12	.2



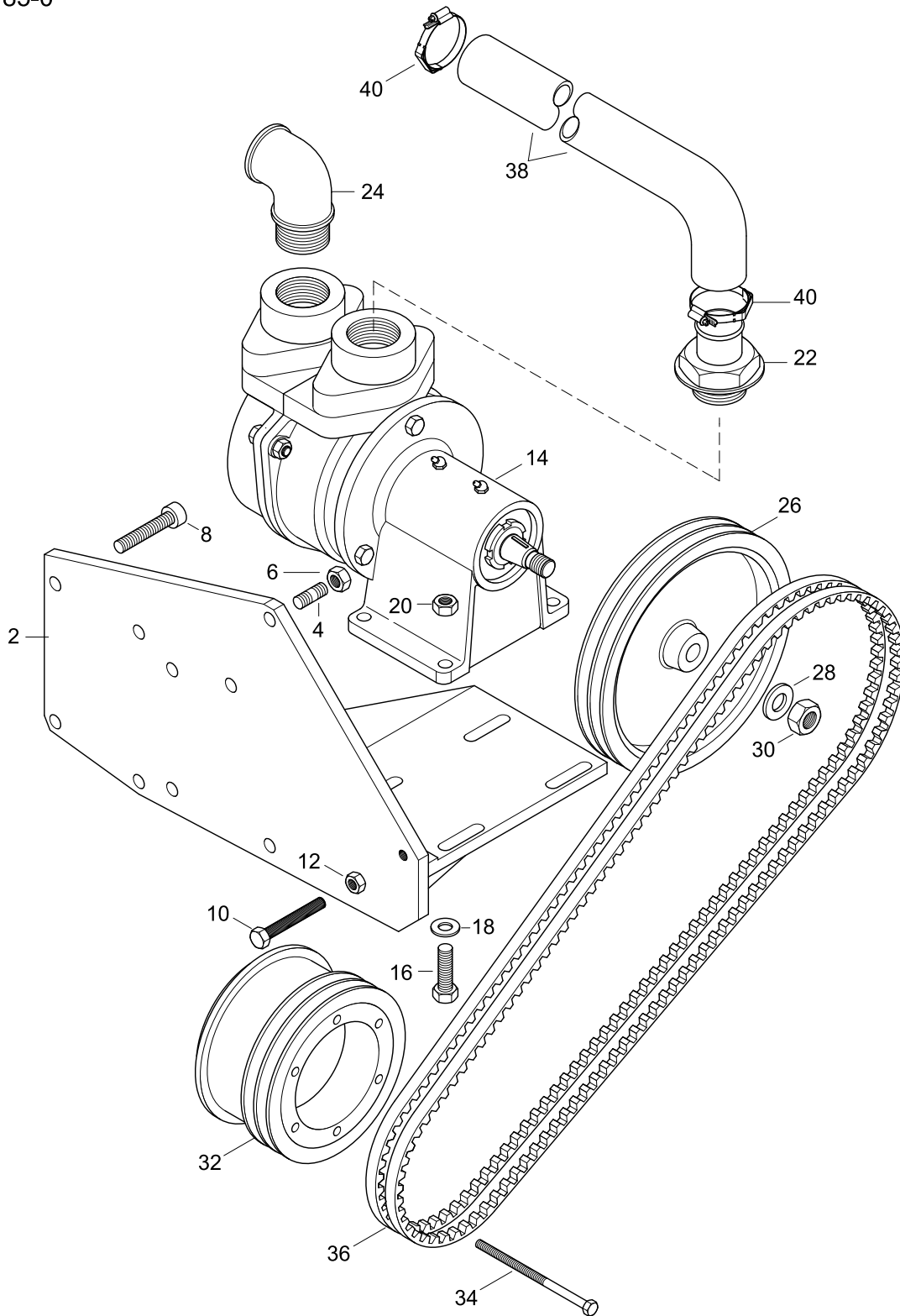


TA 0513

236 MARINE
K42 TURBO DIESEL
+ **SOLAS**

CENTRIFUGAL RAW WATER PUMP SPECIAL-OPTION

05136185-0





CENTRIFUGAL RAW WATER PUMP SPECIAL-OPTION	236 MARINE K42 TURBO DIESEL + SOLAS
--	--

05136185-0

Pos.	Part.-No.	Qty	Designation	Step
2	2179002-9	1	BRACKET WATERPUMP CENTRIFUGAL PAINTED	.2
4	9000371-0	5	STUDDIN 835-M10x25-8.8-A3C	.2
6	3870030-0	5	HEX.NUT ISO 4032-M10-A2-70	.2
8	9000422-0	4	HEX.SOCK. HD.CAP SCR. DIN 912-M10x60-10.9-A3C	.2
10	3802461-0	1	HEX.HD.SCR. ISO 4017-M8x60-8.8-A2C	.2
12	3870045-0	1	HEX.NUT ISO 4032-M8-A2-70	.2
14	2179003-9	1	CENTRIFUGAL RAW WATER PUMP ASSY PAINTED	.2
16	3802532-0	4	HEX.HD.SCR. ISO 4017-M10x35-8.8	.2
18	3936107-0	4	WASHER LARGE SERIES DIN 9021-10.5-140HV-A4	.2
20	9000052-0	4	HEX.FLANGE NUT,PREVG.TOR. DIN 6927-M10-8-DAC A500	.2
22	9000430-0	1	HOSE NIPPLE 6/4" DM32	.2
24	2179423-0	1	ELBOW 90° - 1"1/2 M-F BRASS	.2
26	2179001-0	1	PULLEY CENTRIFUGAL RAW WATER PUMP	.2
28	9000417-0	1	WASHER DIN 125-15.1-140HV-A3C	.2
30	9000375-0	1	HEX.THIN NUT ISO 8675-M14x1.5-04-A3C	.2
32	2179000-0	1	PULLEY-DAMPER CENTRIFUGAL RAW WATER PUMP	.2
34	9000416-0	6	HEX.HD.BOLT ISO 4014-M6x110-8.8-A2C	.2
36	9000169-0	2	V-BELT	.2
38	2178730-0	1	HOSE-ELBOW 32/90° x 325	.2
40	2179044-0	2	HOSE CLAMP WITH SPRING 25-40/9	.2



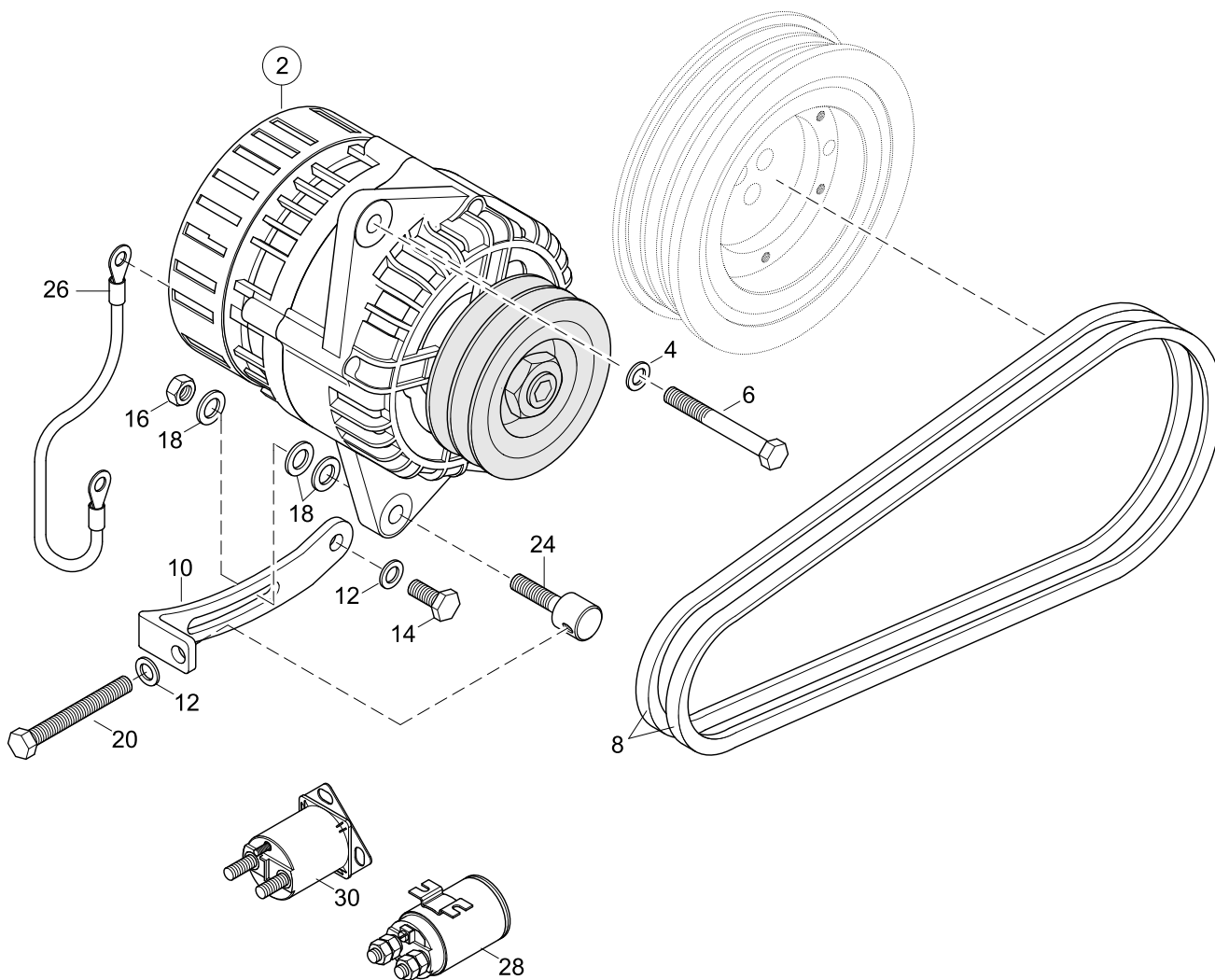


TA 0601

236 MARINE
K42 TURBO DIESEL
+ **SOLAS**

ALTERNATOR - STANDARD 14V / 90A

06016184-1



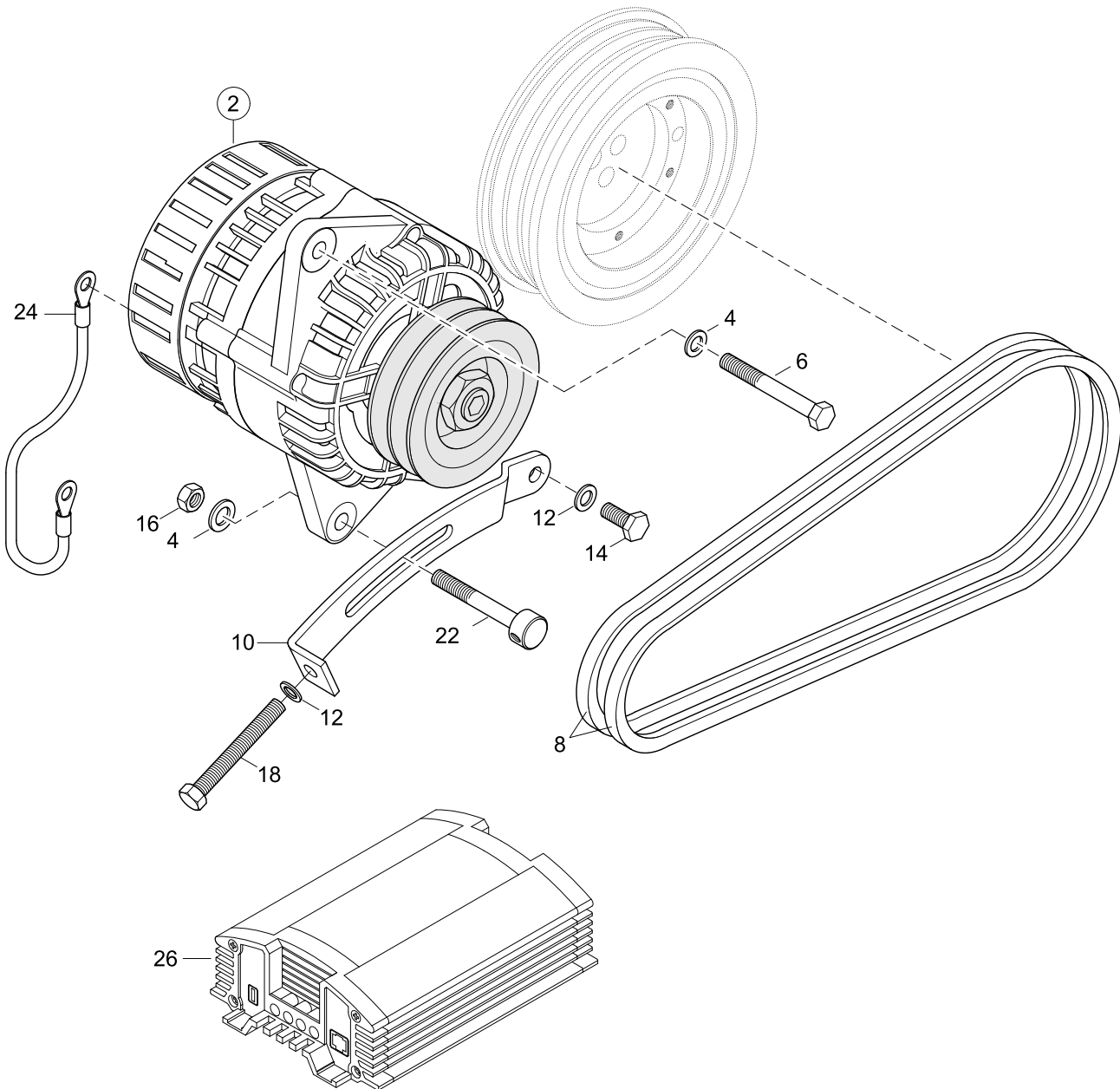


TA 0601

236 MARINE
K42 TURBO DIESEL
+ **SOLAS**

ALTERNATOR 28V / 80A OPTIONAL

06016184-2



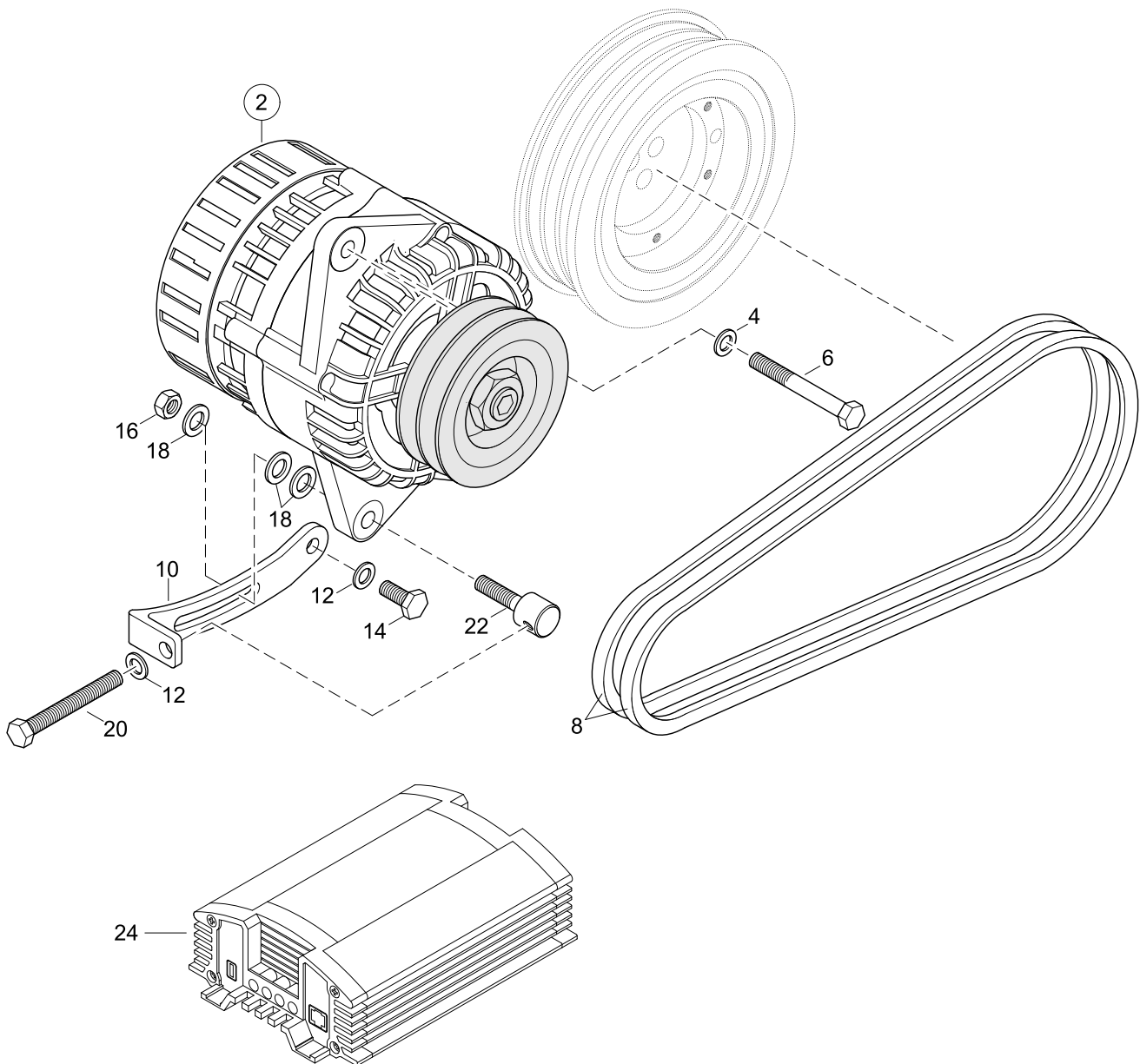


TA 0601

236 MARINE
K42 TURBO DIESEL
+ **SOLAS**

ALTERNATOR 28V / 55A OPTIONAL

06016184-4



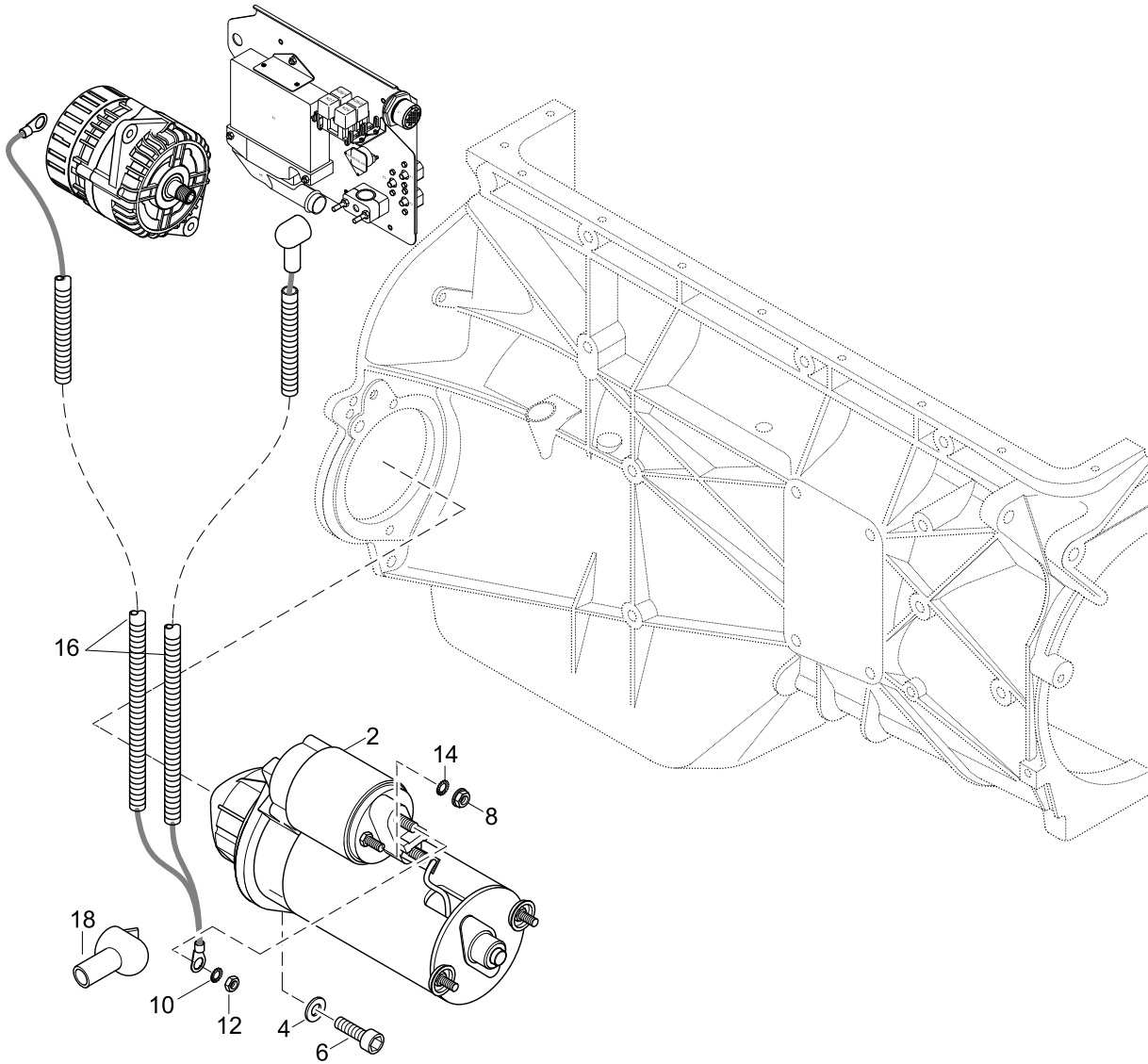


TA 0603

236 MARINE
K42 TURBO DIESEL
+ **SOLAS**

STARTING MOTOR

06036084-3





STARTING MOTOR

236 MARINE
K42 TURBO DIESEL
+ SOLAS

06036084-3

Pos.	Part.-No.	Qty	Designation	Step
2	2040077-8	1	STARTER 12V (PAINTED)	.2
4	3932025-0	2	SPRING WASHER DIN 137-A10-FST-A3C	.2
6	3860149-0	2	HEX.SOCK.HD.CAP SCR. DIN 912-M10x40-8.8-A3C	.2
8	3870050-0	1	HEX.NUT DIN 934-M5-A2-70	.2
10	9000013-0	1	TOOTHED LOCKWASHER EXTERNAL DIN 6797-A8.4-1.4310	.2
12	3870045-0	1	HEX.NUT ISO 4032-M8-A2-70	.2
14	9000040-0	1	TOOTHED LOCKWASHER EXTERN. DIN 6797-A5.3-1.4310	.2
16	Z002166-0	1	HARNESS STARTER (SPARE)	.2
18	O910111-0	1	RUBBER PROTECTION CAP	.2



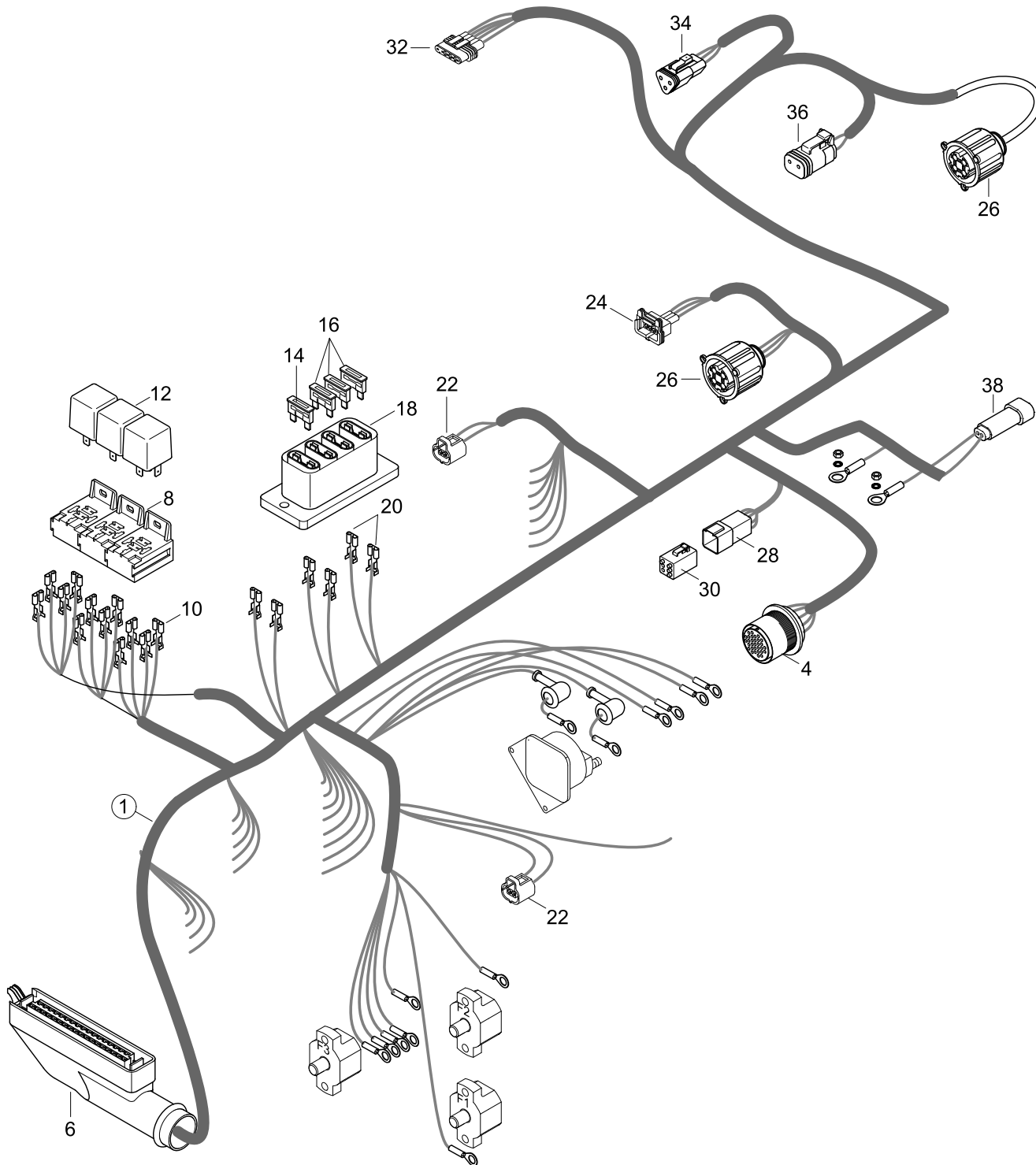


TA 0605

236 MARINE
K42 TURBO DIESEL
+ SOLAS

ENGINE HARNESS

06056184-2



ENGINE HARNESS	236 MARINE K42 TURBO DIESEL + SOLAS
-----------------------	--

06056184-2

Pos.	Part.-No.	Qty	Designation	Step
1	Z002143-0	1	ENGINE HARNESS ASSY. 12V (FROM 2007)	.2
4	Z002410-0	1	CABLE-PLUG PAIR COMPL. 23-POLE	.3
6	Z002411-0	1	RECEPTACLE COMPL. ECU	.3
8	9000421-0	3	RELAY SOCKET	.3
10	3499650-0	19	RECEPTACLE 6,3-2,5	.3
12	9000183-0	3	RELAY 12V 40A	.3
14	12156	1	FUSE 5A, LIGHTBRAUN	.3
16	11345	3	FUSE 10A, RED	.3
18	2206152-0	1	FUSE CARRIER 4 WAY	.3
20	9000125-0	6	BLADE TERMINAL 6,3x2,5 / 1,5-2,5	.3
22	Z002046-1	2	CONNECTOR COOLANT TEMP. SENSOR	.3
24	Z002412-0	1	PLUG COMPL. REVOLUTION SENSOR	.3
26	Z002139-0	2	PLUG, PRESSURE SENSOR 3-POLE	.3
28	Z002415-0	1	PLUG COMPL. DIAGNOSTIC 6 WAY	.3
30	2178729-3	1	DIAGNOSTIC PLUG 6-WAY	.3
32	Z002414-0	1	CONNECTOR POTENTI. ACCELERATOR	.3
34	Z002416-0	1	PLUG POT. CONTROL ROD POSITION 3-POLE	.3
36	Z002417-0	1	PLUG COMPL. CONTROL SOLENOID 2-POLE	.3
38	Z002419-0	1	PLUG COMPL. GEAR SWITCH 2 WAY	.3



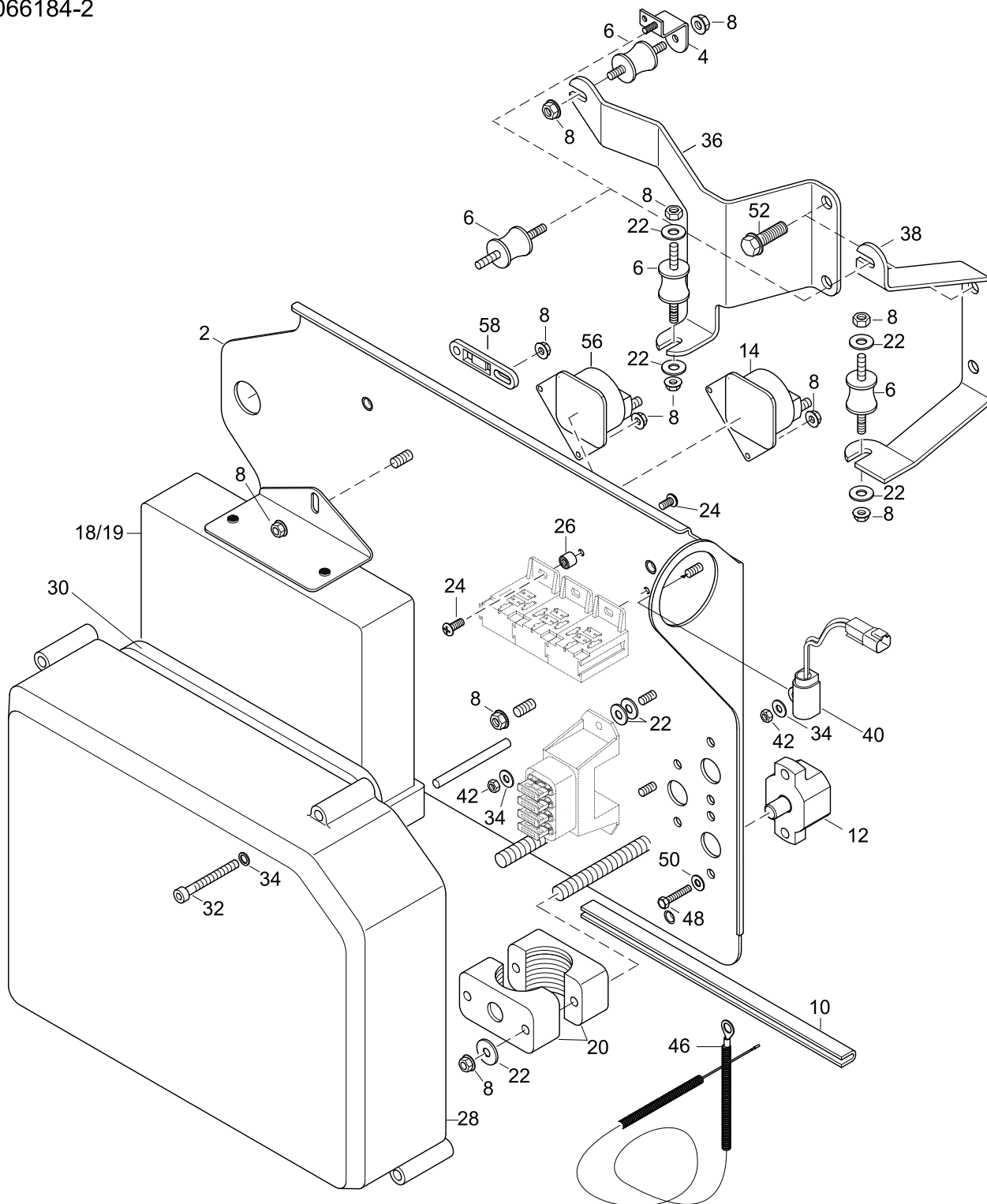


TA 0606

236 MARINE
K42 TURBO DIESEL
+ SOLAS

SECURETSYSTEM, FUSES, ECU, E-BOX

06066184-2





SECURETYSYSTEM, FUSES, ECU, E-BOX

236 MARINE
K42 TURBO DIESEL
+ SOLAS

06066184-2

Pos.	Part.-No.	Qty	Designation	Step
2	2203723-1	1	BASE PLATE	.2
4	2203723-B	2	BRACKET BASEPLATE	.2
6	2203744-0	4	RUBBER MOUNT	.2
8	3880049-0	14	HEX.FLANGE NUT DIN 6923-M6-A2-70	.2
10	2173329-0	0.2	EDGE PROTECTOR	.2
12	O913774-0	3	AUTOMATIC CIRCUIT BREAKER 50A	.2
14	9000187-0	1	SOLENOID STARTER	.2
18	2176806-L	1	ENGINE CONTROL UNIT MO236K42 170kW - 4200rpm —>682320032	.2
19	2176806-N	1	ENGINE CONTROL UNIT MO236K42 170kW - 4200rpm 682320033—>	.2
20	2203753-0	2	CLAMP, FASTEN ENGINE-HARNES	.2
22	9000012-0	10	WASHER LARGE SERIES DIN 9021-6.4-140HV-A2	.2
24	9000215-1	4	CROSS RECESS PAN HD.SCR. ISO 7045-M5x6-A2-50-H	.2
26	2179004-0	2	SILENT BLOCK M5	.2
28	2203720-0	1	COVERING, ENGINE ELECTRIC	.2
30	2171410-1	1	SEAL, COVERING ENGINE ELECTRIC	.2
32	9000003-0	5	HEX.SOCK. HD.CAP SCR. DIN 912-M5x55-A2-70	.2
34	3930069-0	8	WASHER ISO 7089-5-200HV-A2	.2
36	2178951-1	1	REAR E-BOX BOW 100mm	.2
38	2178950-2	1	E-BOX BOW 100mm	.2
40	2178971-G	1	INVERSION-SWITCH ASSY	.2
42	3870050-0	3	HEX.NUT DIN 934-M5-A2-70	.2
46	2178975-0	1	CABLE INVERSION-SWITCH SOLAS	.2
48	9000424-0	6	HEX.HD.SCR. ISO 4017-8/32UNCx20-A2-70	.2
50	3930072-0	6	WASHER LARGE SERIES DIN 9021-4.3-A2	.2
52	9000305-0	4	HEX.FLANGE BOLT EN 1665-M8x20-10.9-DAC	.2
56	2206161-0	1	POWER SOLENOID 12V	.2
58	2178870-0	1	FIXTURE, CABLE TIE	.2





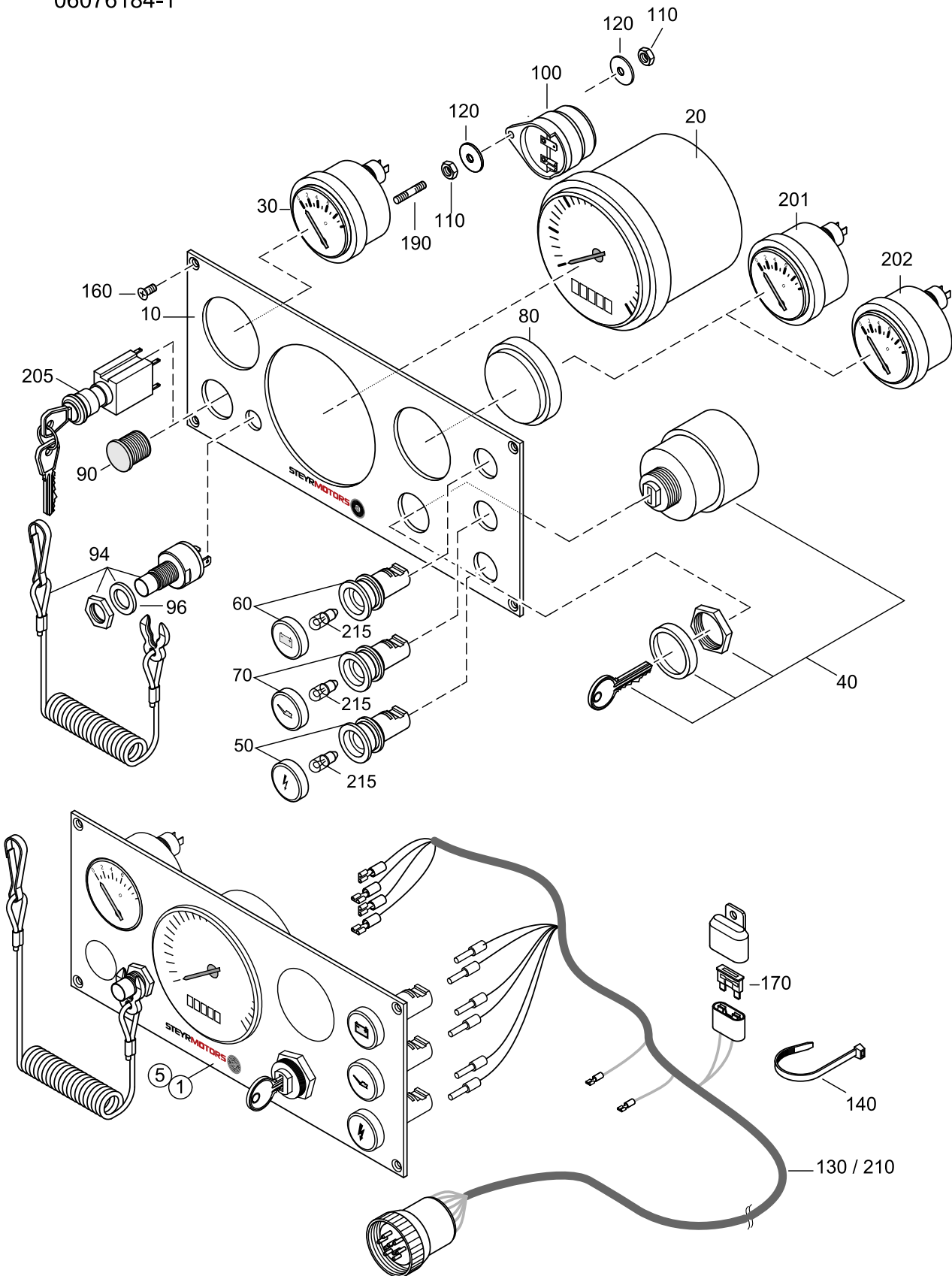
TA 0607



236 MARINE
K42 TURBO DIESEL
+ SOLAS

INSTRUMENTPANEL (STANDARD)
TILL -->2010

06076184-1



INSTRUMENTPANEL (STANDARD) TILL -->2010	236 MARINE K42 TURBO DIESEL + SOLAS
---	--

06076184-1

Pos.	Part.-No.	Qty	Designation	Step
1	Z021006-0	1	PANEL ASSY. (FROM 2004 —>2010)	.2
5	Z002635-0	1	PANEL ASSY. (TILL —>2004)	.2
10	2178831-3	1	INSTRUMENT PANEL	..3
20	2178756-3	1	REVOLU. & OPERA. HOUR COUNTER	..3
30	2178229-2	1	COOLANT TEMPERATURE GAUGE	..3
40	2178761-4	1	GLOW-START SWITCH ASSY.(SPARE)	..3
50	2179290-0	1	WARNING-LIGHT CHECK ENGI. ASSY	..3
60	2179291-0	1	WARNING-LIGHT BATTERY CHARGE ASSY. 12V	..3
70	2179292-0	1	WARNING-LIGHT ENGINE-OIL ASSY.	..3
80	2178759-2	1	BLIND COVER	..3
90	2179320-0	1	BLIND PLUG, BLACK	..3
94	Z002073-0	1	EMERGENCY CUTOFF SWITCH KIT	..3
96	2176170-0	1	O-RING 15x2	..3
100	2178760-1	1	HORN AUDIBLE WARNING	..3
110	3870051-0	2	HEX.NUT ISO 4032-M4-A2-70	..3
120	3930072-0	2	WASHER LARGE SERIES DIN 9021-4.3-A2	..3
130	Z002669-0	1	CABLE ASSY. INSTRUMENT 7m (CONDUCTOR SLEEVE)	..3
140	3171034-0	1	TIE STRAP N 05199-A4,5x160	..3
160	9000192-0	4	CR.REC.COUNT.SUNK HD.TPG.SCR. ISO 7050-ST3.5x16	..3
170	11345	1	FUSE 10A, RED	..3
190	2206167-1	1	STUD	..3
201	2178227-2	1	OIL PRESSURE GAUGE 10 BAR (ACCESSORY)	.2
202	2178231-1	1	VOLTMETER 12V (ACCESSORY)	.2
205	2178761-2	1	KEY-SWITCH CONSTANT REVOLUTION (ACCESSORY)	.2
210	Z002670-0	1	CABLE ASSY. INSTRUMENT 1.5m (CONDUCTOR SLEEVE)	.2





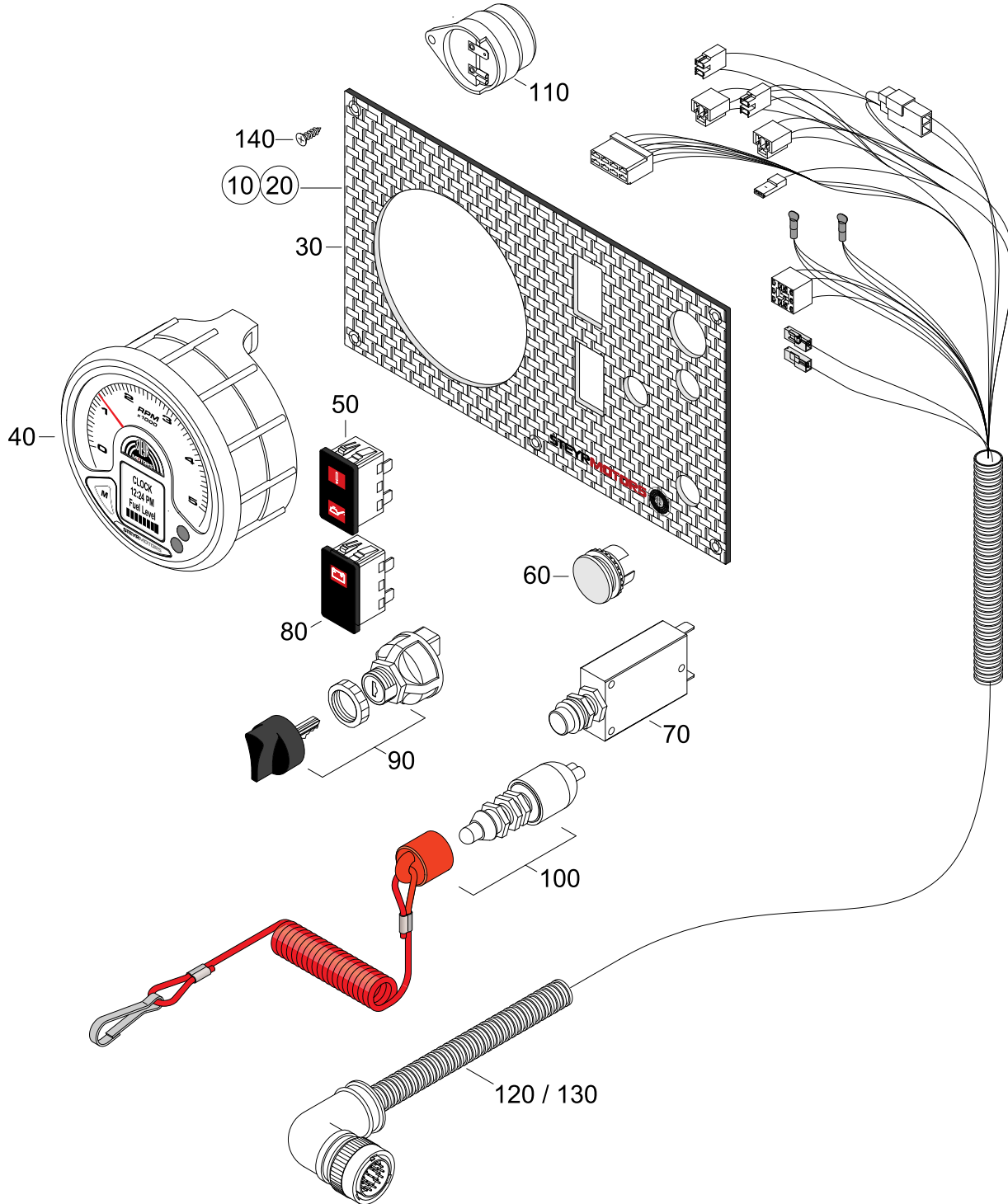
TA 0607



236 MARINE
K42 TURBO DIESEL
+ SOLAS

INSTRUMENTPANEL (STANDARD)
FROM 2010-->

06072184-1





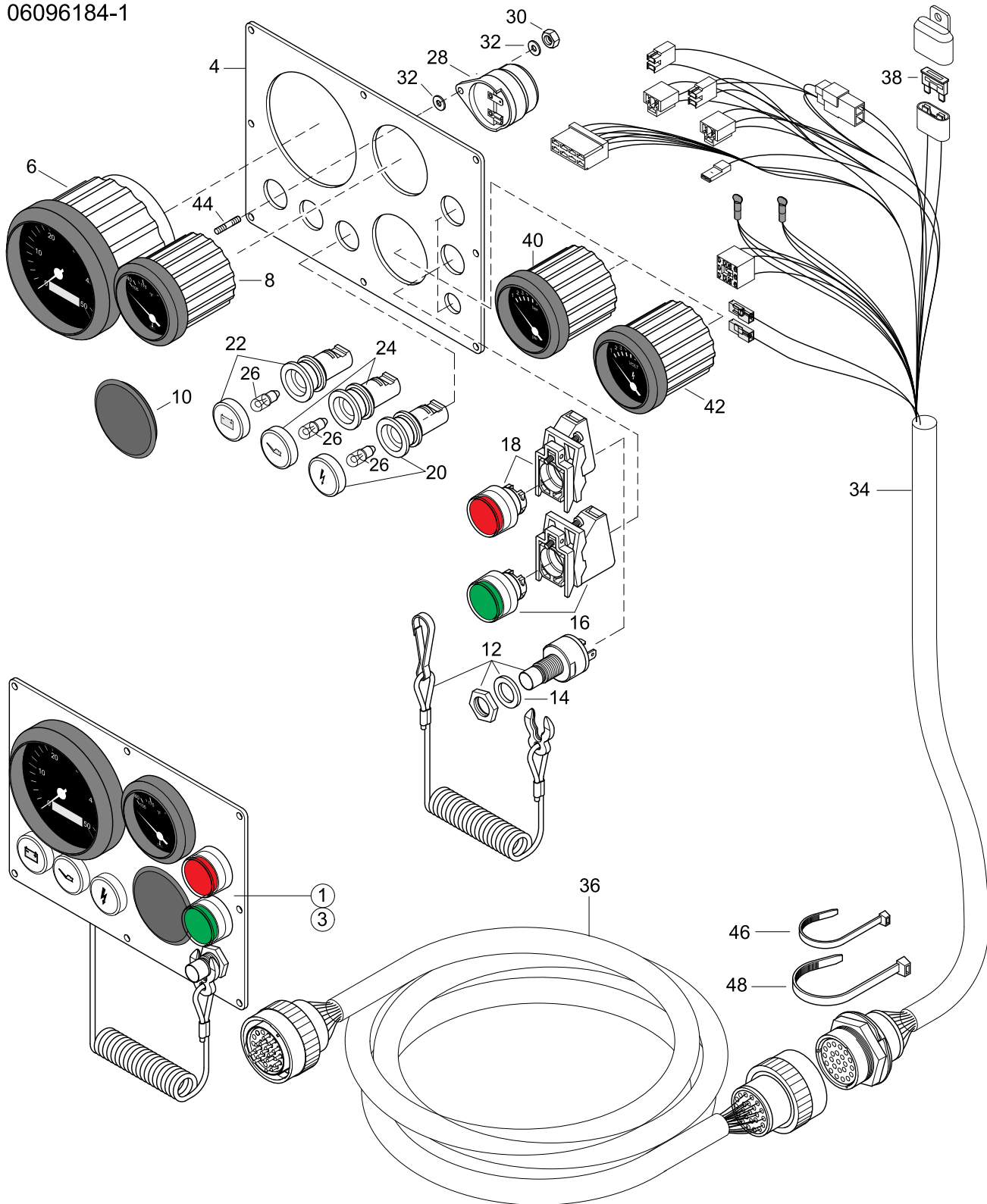
TA 0609



236 MARINE
K42 TURBO DIESEL
+ SOLAS

INSTRUMENTPANEL SOLAS (STANDARD)
TILL -->2010

06096184-1





**INSTRUMENTPANEL SOLAS (STANDARD)
TILL -->2010**

236 MARINE
K42 TURBO DIESEL
+ SOLAS

06096184-1

Pos.	Part.-No.	Qty	Designation	Step
1	Z021007-0	1	PANEL ASSY. SOLAS (FROM 2004—>2010)	.2
3	Z002122-0	1	PANEL ASSY. SOLAS (TILL —>2004)	.2
4	2178831-4	1	INSTRUMENT PANEL SOLAS	.3
6	2178756-3	1	REVOLU. & OPERA. HOUR COUNTER	.3
8	2178229-2	1	COOLANT TEMPERATURE GAUGE	.3
10	2178759-2	1	BLIND COVER	.3
12	Z002073-0	1	EMERGENCY CUTOFF SWITCH KIT	.3
14	2176170-0	1	O-RING 15x2	.3
16	2179294-0	1	SWITCH ASSY. START GREEN	.3
18	2179293-5	1	IGNITION SWITCH RED ASSY.	.3
20	2179290-0	1	WARNING-LIGHT CHECK ENGI. ASSY	.3
22	2179291-0	1	WARNING-LIGHT BATTERY CHARGE ASSY. 12V	.3
24	2179292-0	1	WARNING-LIGHT ENGINE-OIL ASSY.	.3
26	2179162-0	3	MINIATUR LAMP 12V/2W 10x28	.3
28	2178760-1	1	HORN AUDIBLE WARNING	.3
30	3870051-0	2	HEX.NUT ISO 4032-M4-A2-70	.3
32	3930072-0	2	WASHER LARGE SERIES DIN 9021-4.3-A2	.3
34	Z002671-0	1	CABLE ASSY. INSTR. 1.5m SOLAS	.3
36	2206291-1	1	INTERMEDIATE CABLE 5m	.3
38	11345	1	FUSE 10A, RED	.3
40	2178227-2	1	OIL PRESSURE GAUGE 10 BAR (ACCESSORY)	.2
42	2178231-1	1	VOLTMETER 12V (ACCESSORY)	.2
44	2206167-1	1	STUD	.2
46	3171034-0	1	TIE STRAP N 05199-A4,5x160	.2





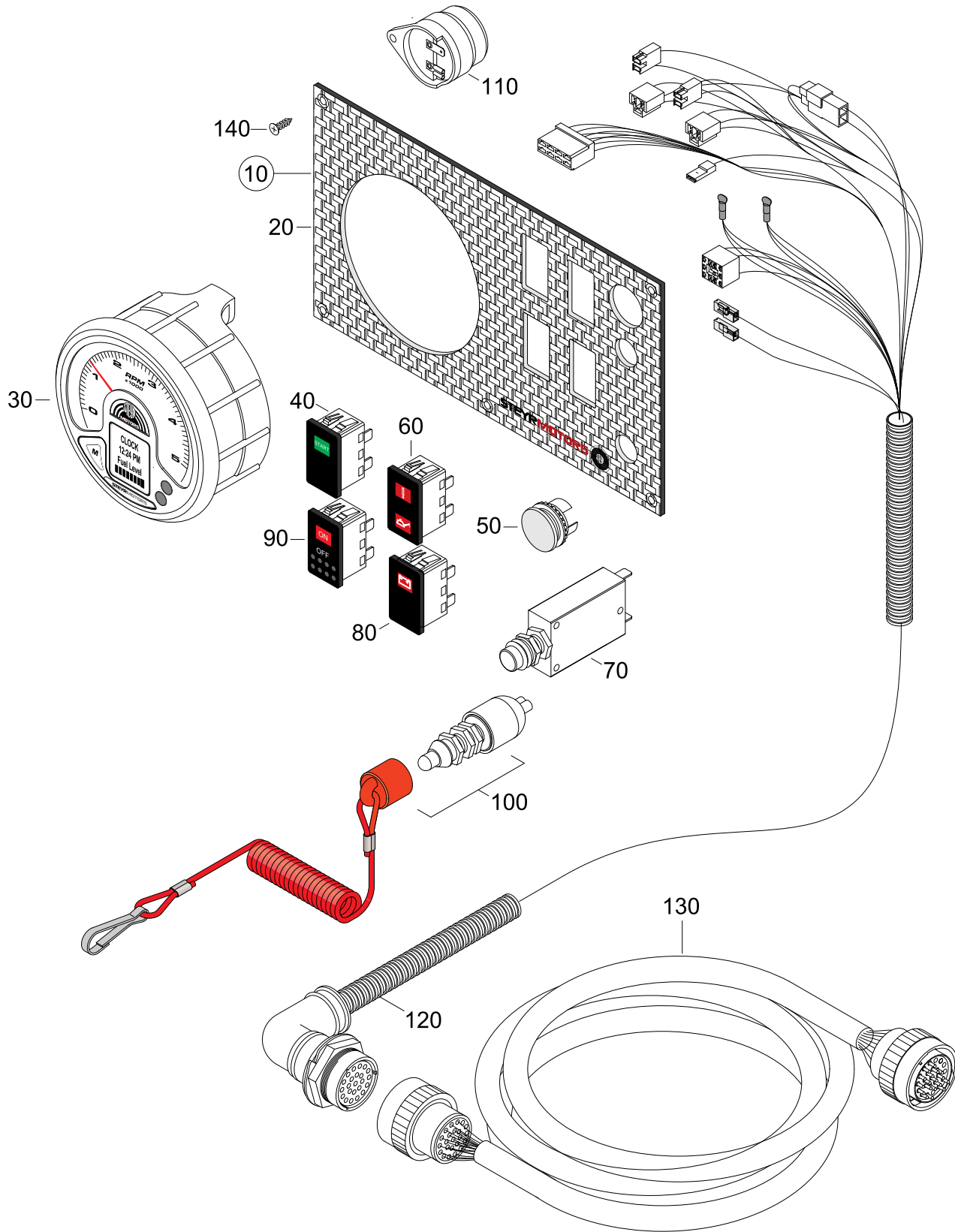
TA 0609



236 MARINE
K42 TURBO DIESEL
+ SOLAS

INSTRUMENTPANEL SOLAS (STANDARD)
FROM 2010-->

06092184-1





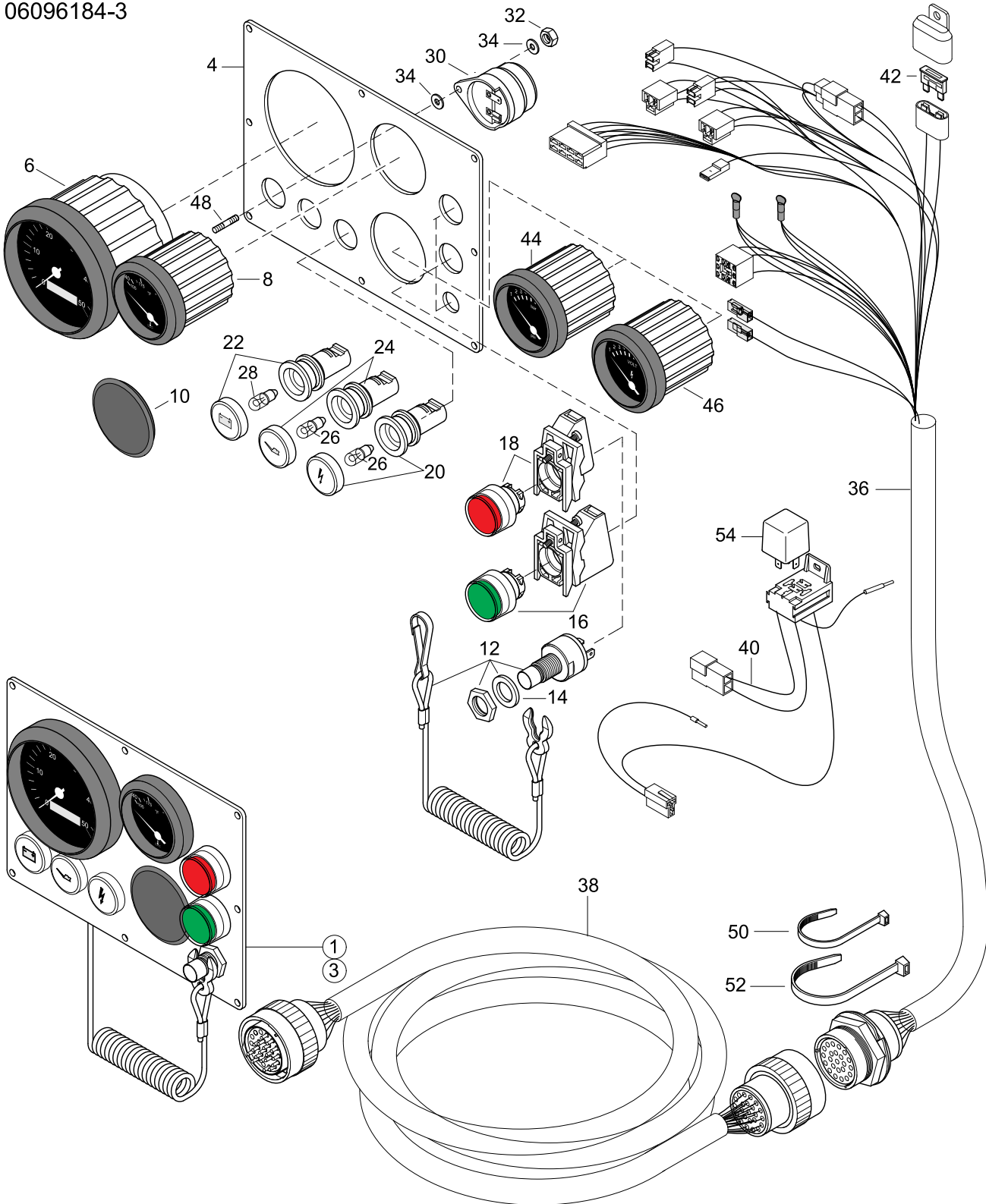
TA 0609



236 MARINE
K42 TURBO DIESEL
+ SOLAS

INSTRUMENTPANEL SOLAS 24V
TILL -->2010

06096184-3





**INSTRUMENTPANEL SOLAS 24V
TILL -->2010**

236 MARINE
K42 TURBO DIESEL
+ SOLAS

06096184-3

Pos.	Part.-No.	Qty	Designation	Step
1	Z021008-0	1	INSTR. PANEL ASSY. SOLAS 24V (FROM 2004—>2010)	.2
3	Z002631-0	1	INSTR. PANEL ASSY. SOLAS 24V (TILL —>2004)	.2
4	2178831-4	1	INSTRUMENT PANEL SOLAS	..3
6	2178756-3	1	REVOLU. & OPERA. HOUR COUNTER	..3
8	2178229-2	1	COOLANT TEMPERATURE GAUGE	..3
10	2178759-2	1	BLIND COVER	..3
12	Z002073-0	1	EMERGENCY CUTOFF SWITCH KIT	..3
14	2176170-0	1	O-RING 15x2	..3
16	2179294-0	1	SWITCH ASSY. START GREEN	..3
18	2179293-5	1	IGNITION SWITCH RED ASSY.	..3
20	2179290-0	1	WARNING-LIGHT CHECK ENGI. ASSY	..3
22	Z002115-0	1	WARNING-LIGHT BATTERY CHARGE ASSY. 12V & 24V	..3
24	2179292-0	1	WARNING-LIGHT ENGINE-OIL ASSY.	..3
26	2179162-0	3	MINIATUR LAMP 12V/2W 10x28	..3
28	2179141-0	1	MINIATUR LAMP 24V/3W 10x28	..3
30	2178760-1	1	HORN AUDIBLE WARNING	..3
32	3870051-0	2	HEX.NUT ISO 4032-M4-A2-70	..3
34	3930072-0	2	WASHER LARGE SERIES DIN 9021-4.3-A2	..3
36	Z002671-0	1	CABLE ASSY. INSTR. 1.5m SOLAS	..3
38	2206291-1	1	INTERMEDIATE CABLE 5m	..3
40	2179151-0	1	INTERMEDIATE CABLE CHARGE INDICATOR 24V	..3
42	11345	1	FUSE 10A, RED	..3
44	2178227-2	1	OIL PRESSURE GAUGE 10 BAR (ACCESSORY)	.2
46	2178231-1	1	VOLTMETER 12V (ACCESSORY)	.2
48	2206167-1	1	STUD	.2
50	3171034-0	1	TIE STRAP N 05199-A4,5x160	.2
52	3171392-0	1	TIE STRAP N 05199-B7,8x368	.2





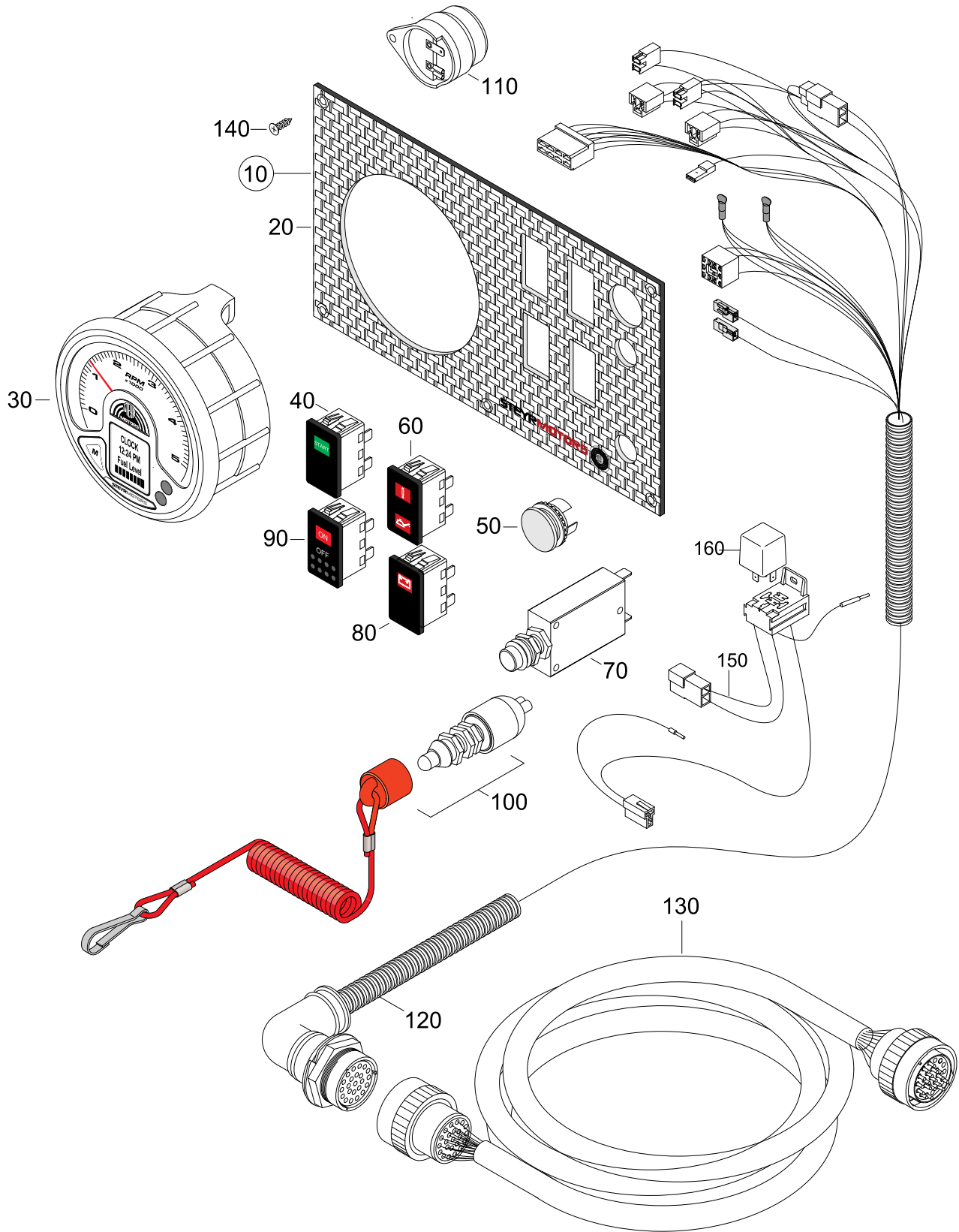
TA 0609



236 MARINE
K42 TURBO DIESEL
+ SOLAS

INSTRUMENTPANEL SOLAS 24V
FROM 2010-->

06092184-2





TA 0610

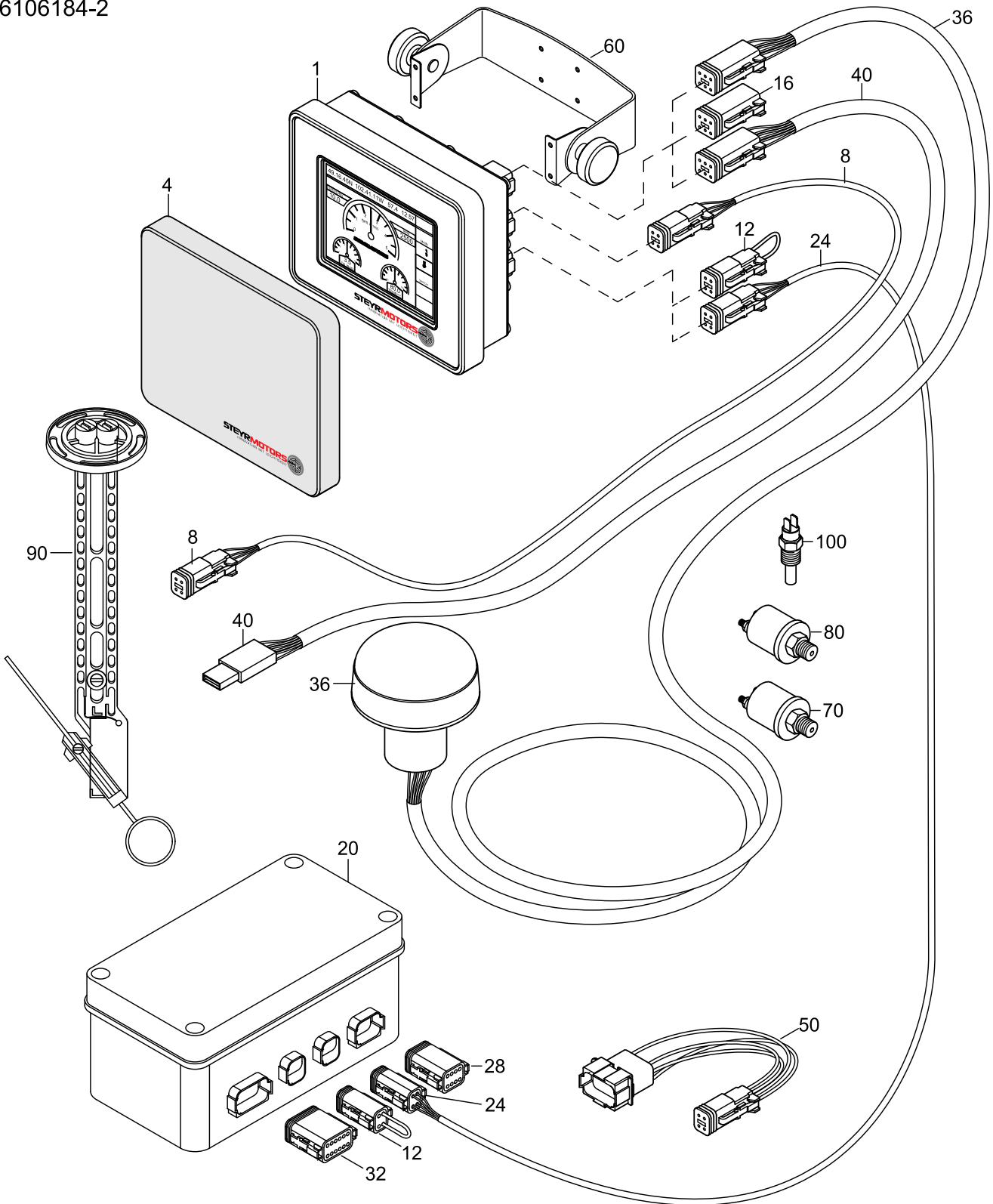
STEYRMOTORS
INNOVATION WITH LIGHTNESS



236 MARINE
K42 TURBO DIESEL
+ **SOLAS**

SCC - DISPLAY

06106184-2



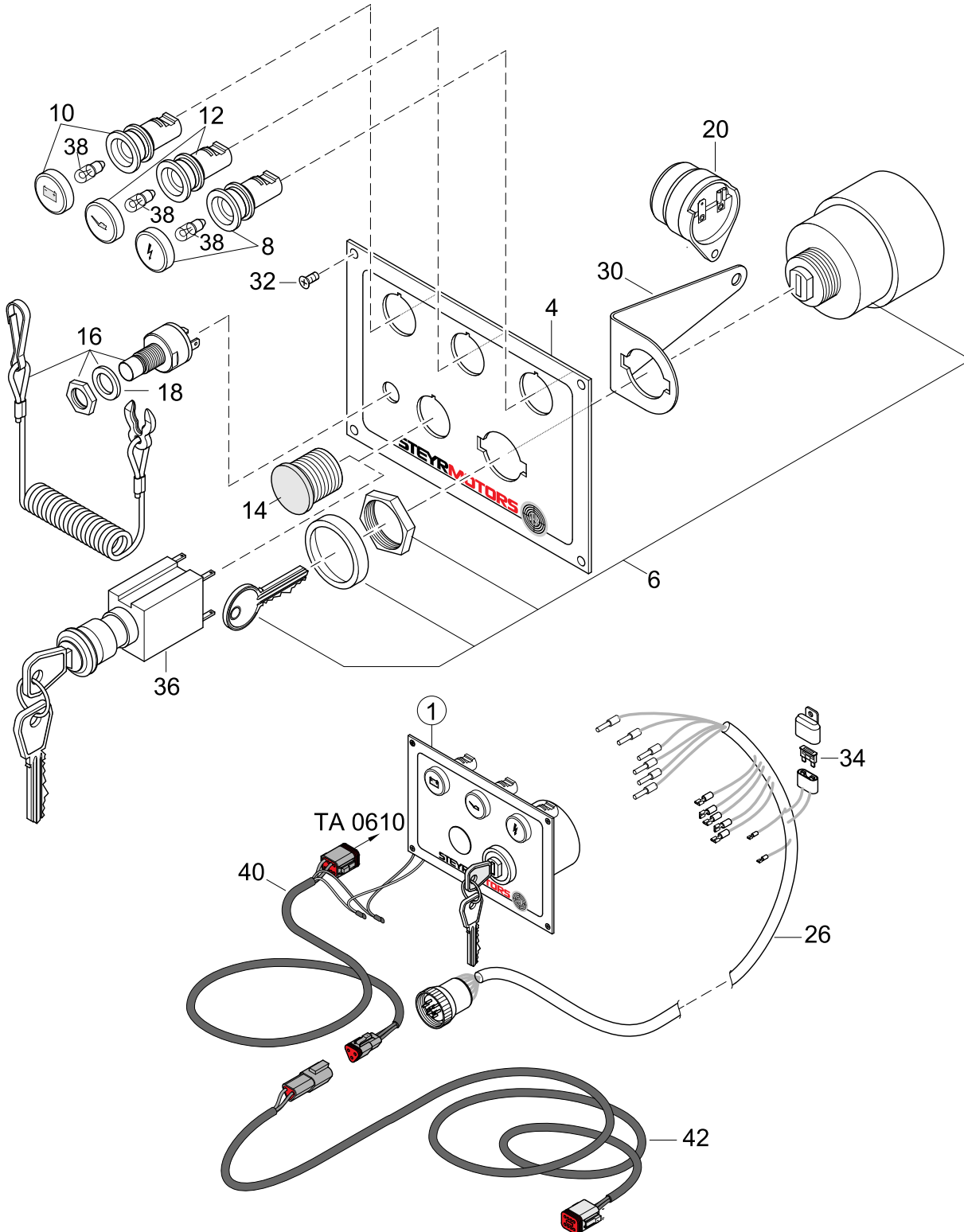


TA 0611

236 MARINE
K42 TURBO DIESEL
+ **SOLAS**

SWITCH PANEL FOR DISPLAY
TILL -->2010

06116184-2





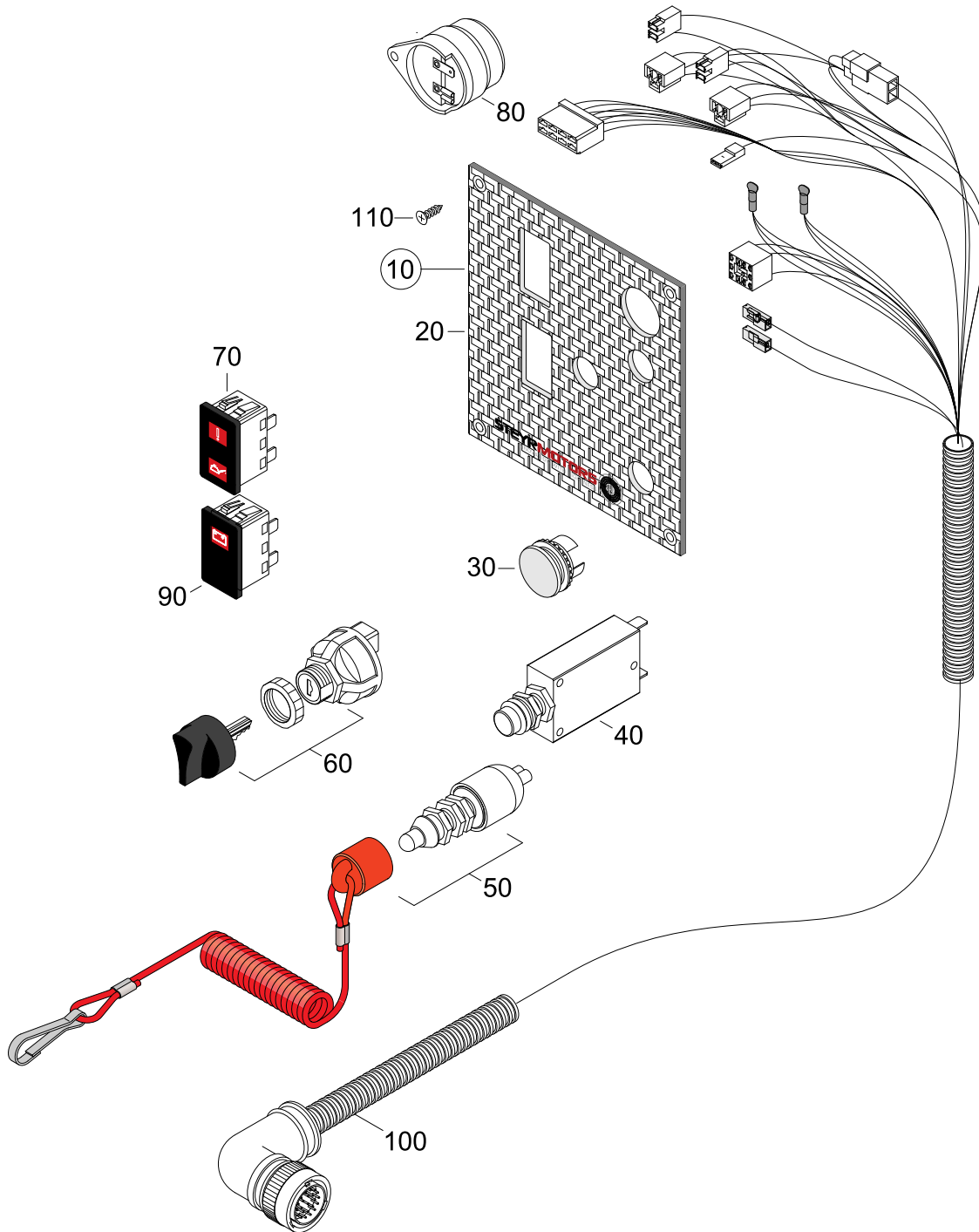
TA 0611



236 MARINE
K42 TURBO DIESEL
+ SOLAS

SWITCH PANEL FOR DISPLAY
FROM 2010-->

06112184-1



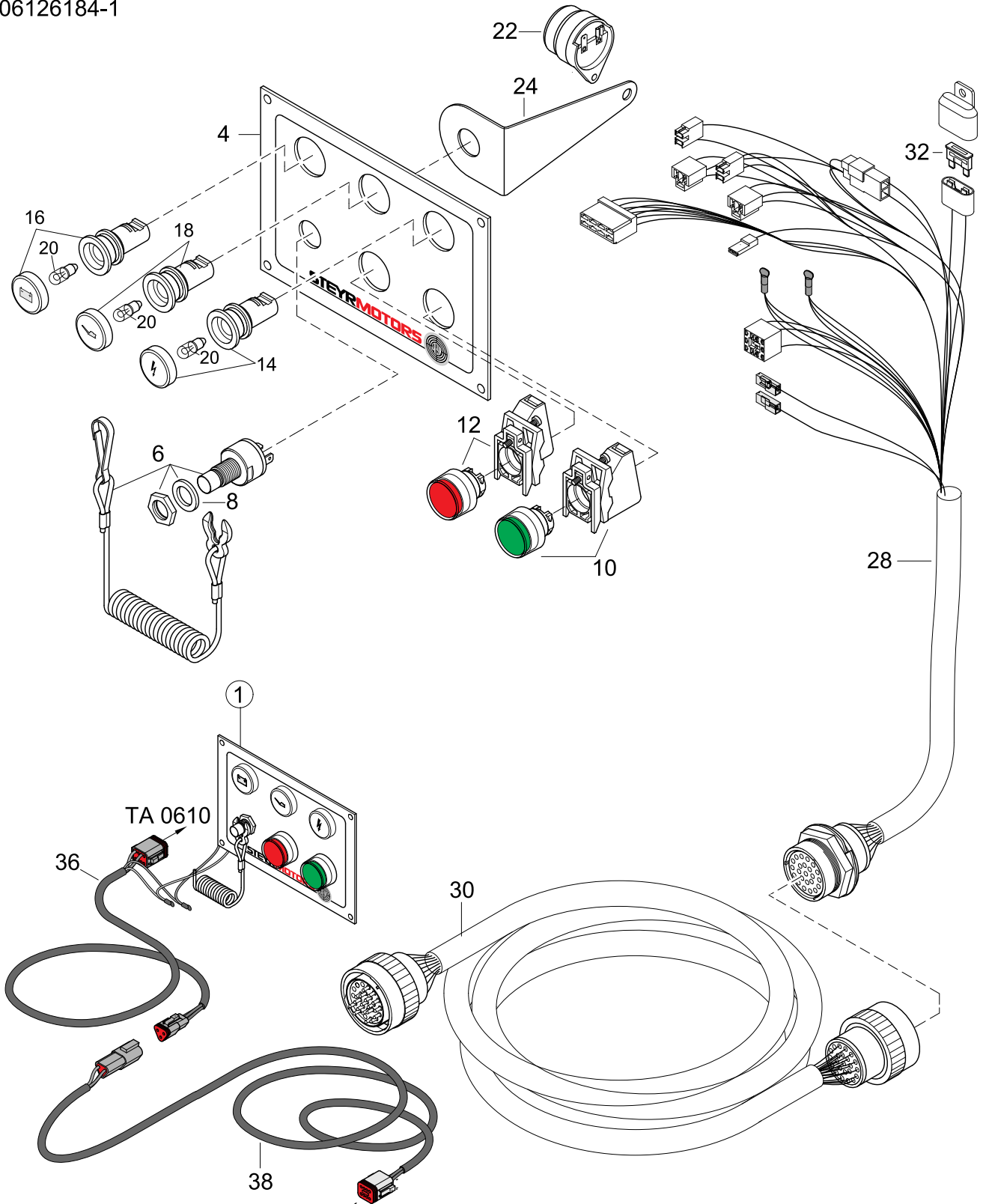


TA 0612

236 MARINE
K42 TURBO DIESEL
+ SOLAS

PUSH BUTTON PANEL SOLAS FOR DISPLAY
TILL -->2010

06126184-1





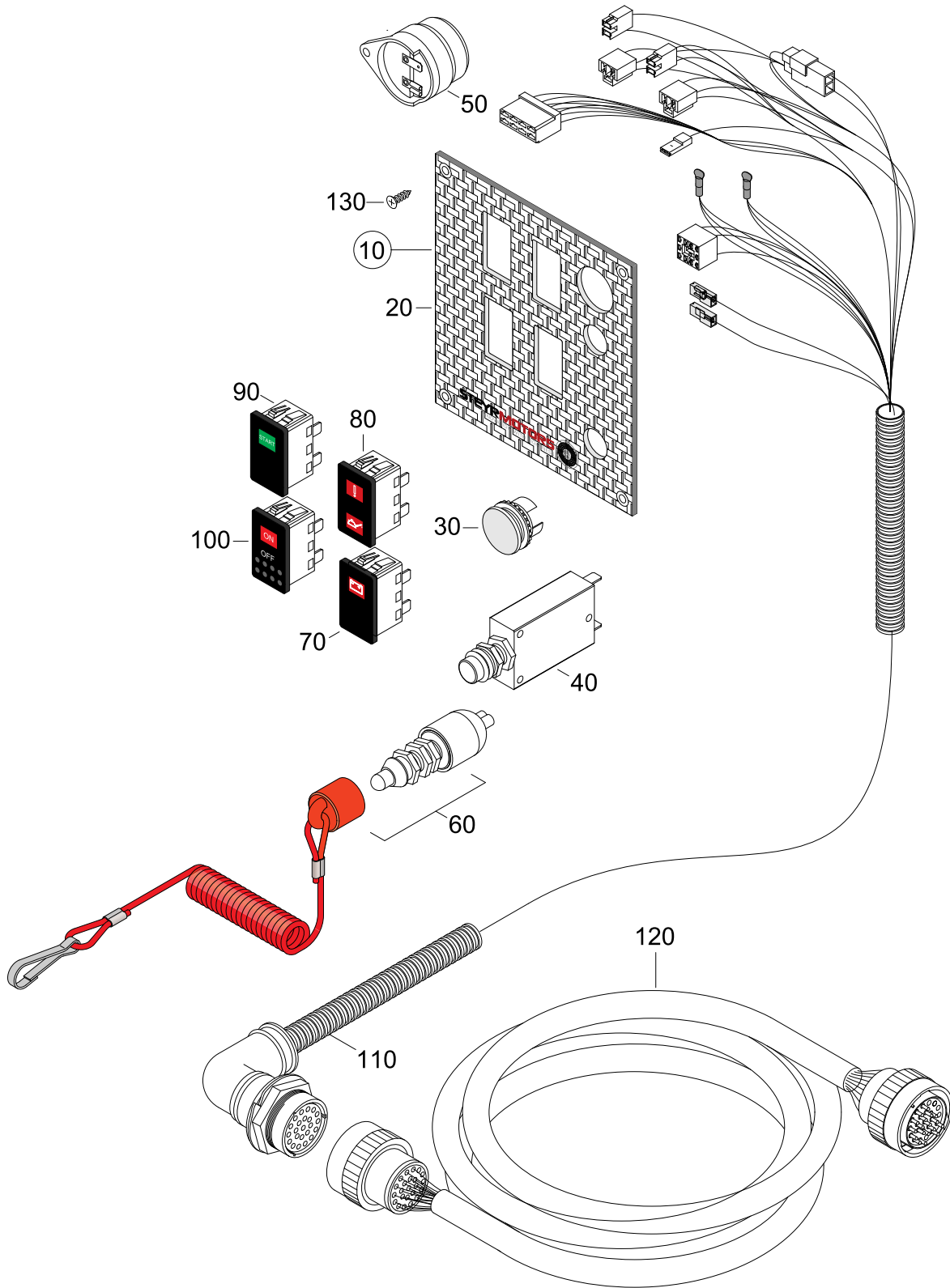
TA 0612



236 MARINE
K42 TURBO DIESEL
+ SOLAS

PUSH BUTTON PANEL SOLAS FOR DISPLAY
FROM 2010-->

06122184-1





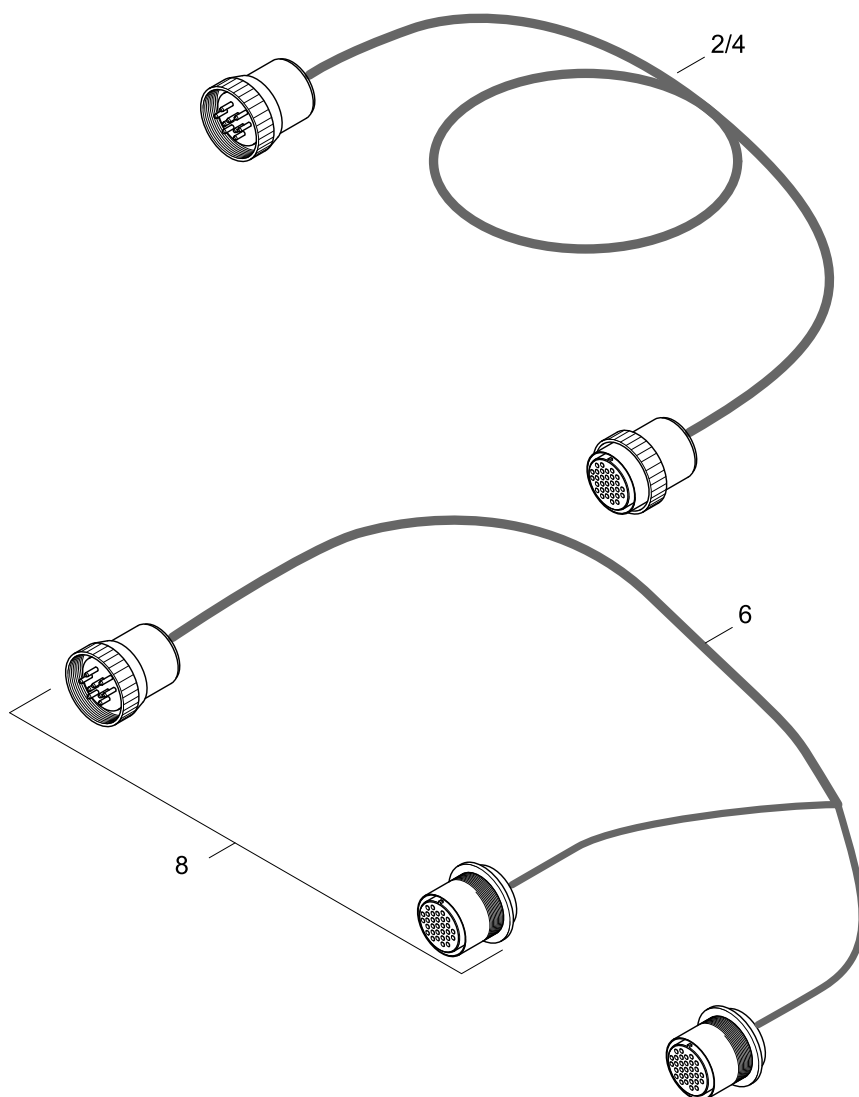
TA 0613

236 MARINE
K42 TURBO DIESEL
+ **SOLAS**

**EXTENSION CABLE INSTRUMENTS
(ACCESSORY)**

06136184-0

NOTE: NOT COMPATIBLE WITH "SOLAS" INSTRUMENT PANEL





TA 0700

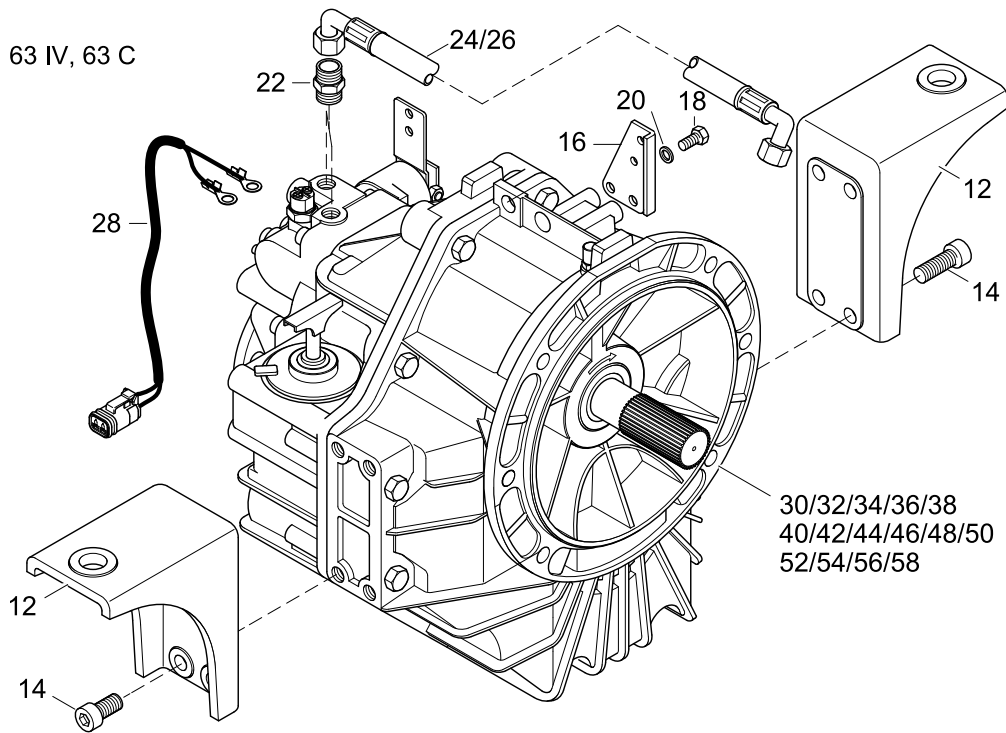


236 MARINE
K42 TURBO DIESEL
+ SOLAS

TRANSMISS., MOUNTING BRACKETS, PIPES

07006184-0

ZF 63, 63A, 63 IV, 63 C





TRANSMISS., MOUNTING BRACKETS, PIPES

236 MARINE
K42 TURBO DIESEL
+ SOLAS

07006184-0

Pos.	Part.-No.	Qty	Designation	Step
12	2178710-V	2	BRACKET GEAR-BOX DOWN ANGLE	.2
14	9000081-0	8	HEX.SOCK.HD.CAP SCR. DIN 912-M12x35-8.8-A3C	.2
16	2178711-9	1	BRACKET SHIFT CABLE PAINTED	.2
18	3800224-0	2	HEX.HD.SCR. ISO 4017-M8x20-A2-70	.2
20	3930103-0	2	WASHER DIN 125-8.4-140HV-A2	.2
22	Z011655-0	2	THREADED SOCKET 3/8NPT-M18x1,5	.2
24	2178731-0	1	OIL HOSE L=690mm	.2
26	2178732-0	1	OIL HOSE L=825mm	.2
28	2178745-1	1	HARNESS GEAR-SWITCH	.2
30	2178651-5	1	GEARBOX ASSY. ZF 63 A I=1.56 (PAINTED)	.2
32	2178651-6	1	GEARBOX ASSY. ZF 63 A I=2.04 (PAINTED)	.2
34	2178651-7	1	GEARBOX ASSY. ZF 63 A I=2.52 (PAINTED)	.2
36	2178651-8	1	GEARBOX ASSY. ZF 63 A I=1.22 (PAINTED)	.2
38	2178651-9	1	GEARBOX ASSY. ZF 63 A I=2.70 (PAINTED)	.2
40	2178766-5	1	GEARBOX ASSY. ZF 63 I=1.51 (PAINTED)	.2
42	2178766-6	1	GEARBOX ASSY. ZF 63 I=2.48 (PAINTED)	.2
44	2178766-7	1	GEARBOX ASSY. ZF 63 I=2.78 (PAINTED)	.2
46	2178766-8	1	GEARBOX ASSY. ZF 63 I=1.93 (PAINTED)	.2
48	2178766-9	1	GEARBOX ASSY. ZF 63 I=1.25 (PAINTED)	.2
50	2178652-6	1	GEARBOX ASSY. ZF 63 IV I=2.00 (PAINTED)	.2
52	2178652-7	1	GEARBOX ASSY. ZF 63 IV I=2.48 (PAINTED)	.2
54	2178652-8	1	GEARBOX ASSY. ZF 63 IV I=1.29 (PAINTED)	.2
56	2178652-5	1	GEARBOX ASSY. ZF 63 IV I=1.56 (PAINTED)	.2
58	2179500-9	1	GEARBOX ASSY. ZF 63 C I=1 (PAINTED)	.2



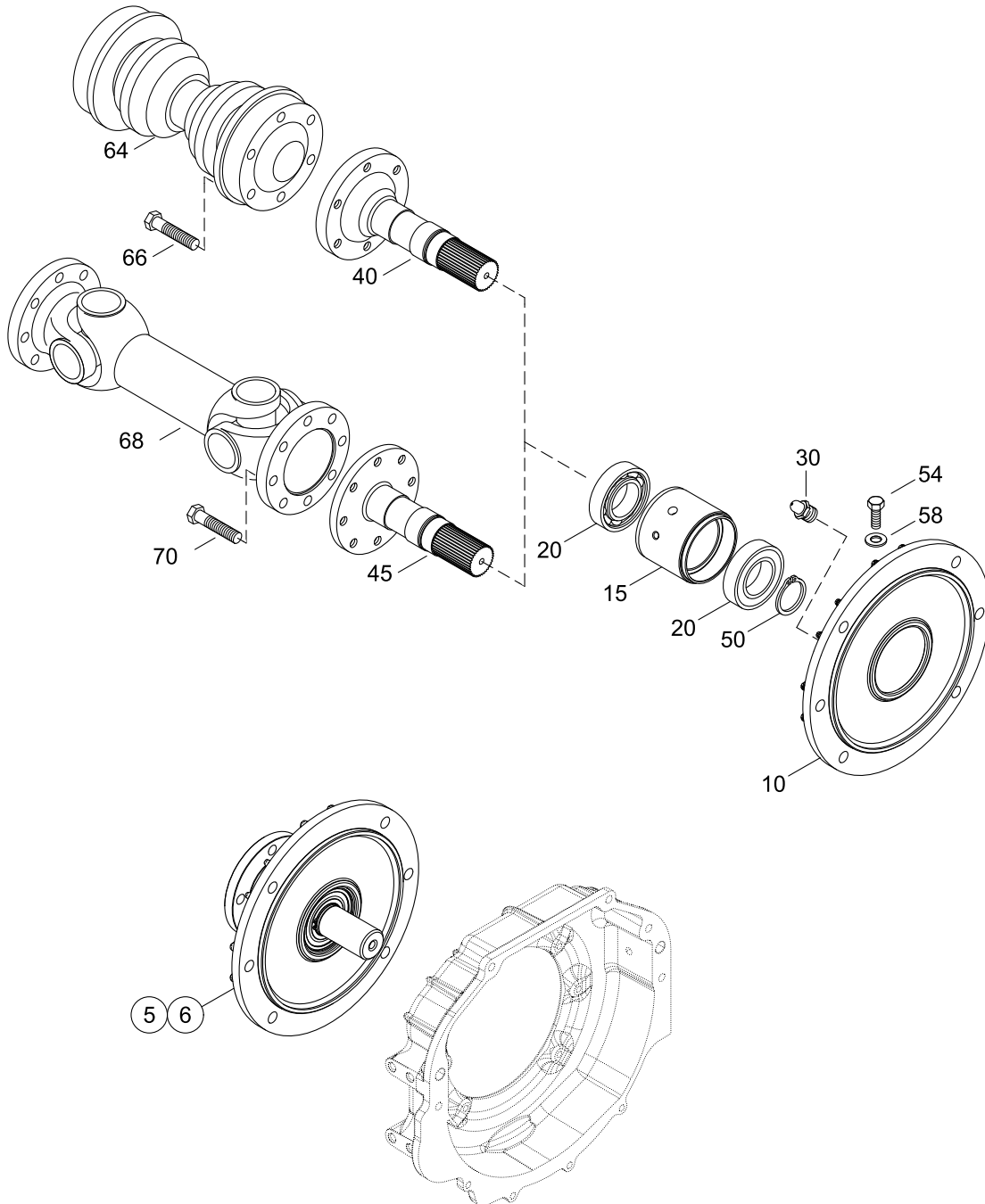


TA 0701

236 MARINE
K42 TURBO DIESEL
+ **SOLAS**

TRANSMISSION-SHAFT, PTO-SHAFT (ALU)

07016184-0



ALU - HOUSING



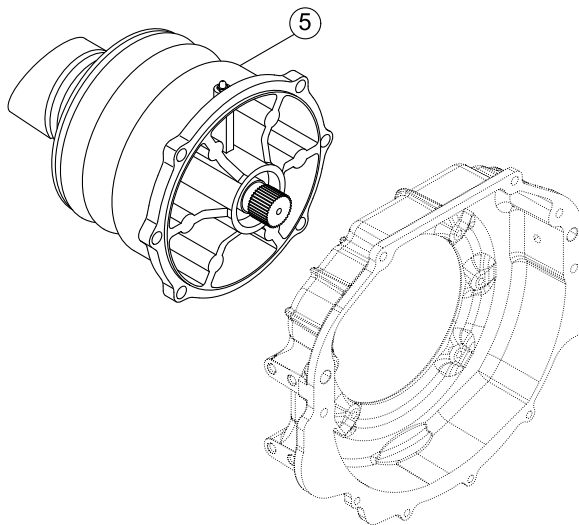
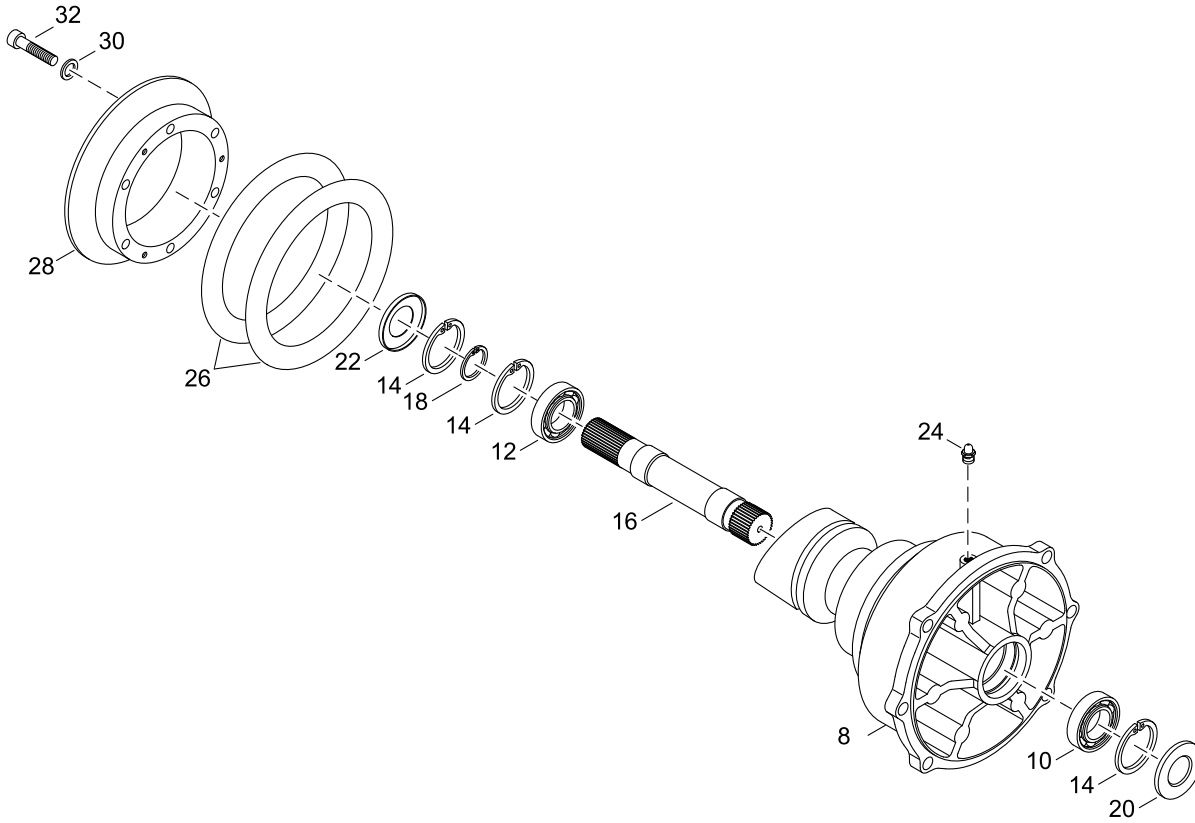


TA 0720

236 MARINE
K42 TURBO DIESEL
+ **SOLAS**

**DRIVE ADAPTOR VOLVO STERNDRIVE
(ACCESSORY)**

07206084-0





DRIVE ADAPTOR VOLVO STERNDRIVE (ACCESSORY)	236 MARINE K42 TURBO DIESEL + SOLAS
---	--

07206084-0

Pos.	Part.-No.	Qty	Designation	Step
5	2178819-0	1	ADAPTER VOLVO STERNDRIVE (PAINTED)	.2
8	2178817-0	1	ADAPTERHSG. VOLVO STERNDRIVE	..3
10	9000152-0	1	DEEP GROOVE BALL BEARING DIN 625-6007	..3
12	3311018-0	1	DEEP GROOVE BALL BEARING DIN 625-6206 RS1	..3
14	3934310-0	3	INTERIOR CIRCLIP DIN 472-62x2	..3
16	2178818-0	1	ADAPTER SHAFT VOLVO STERNDRIVE	..3
18	3933200-0	1	EXTERIOR CIRCLIP DIN 471-30x1.5	..3
20	9000153-0	1	RADIAL SEALING RING DIN 3760-35x62x7-AS	..3
22	9000153-1	1	RADIAL SEALING RING DIN 3760-35x62x7-A	..3
24	3963124-0	1	LUBRICATING NIPPLE, CONE DIN 71412-AM10x1-A3F	..3
26	2178821-0	2	O-RING 155 X 22	..3
28	2178820-0	1	FLANGE VOLVO STERN-DRIVE	..3
30	3930075-0	6	WASHER DIN 125 A10.5-140HV-A2	..3
32	9000185-1	6	HEX. SOCK. HD. CAP SCR. DIN 912-M10x100-A2-70	..3



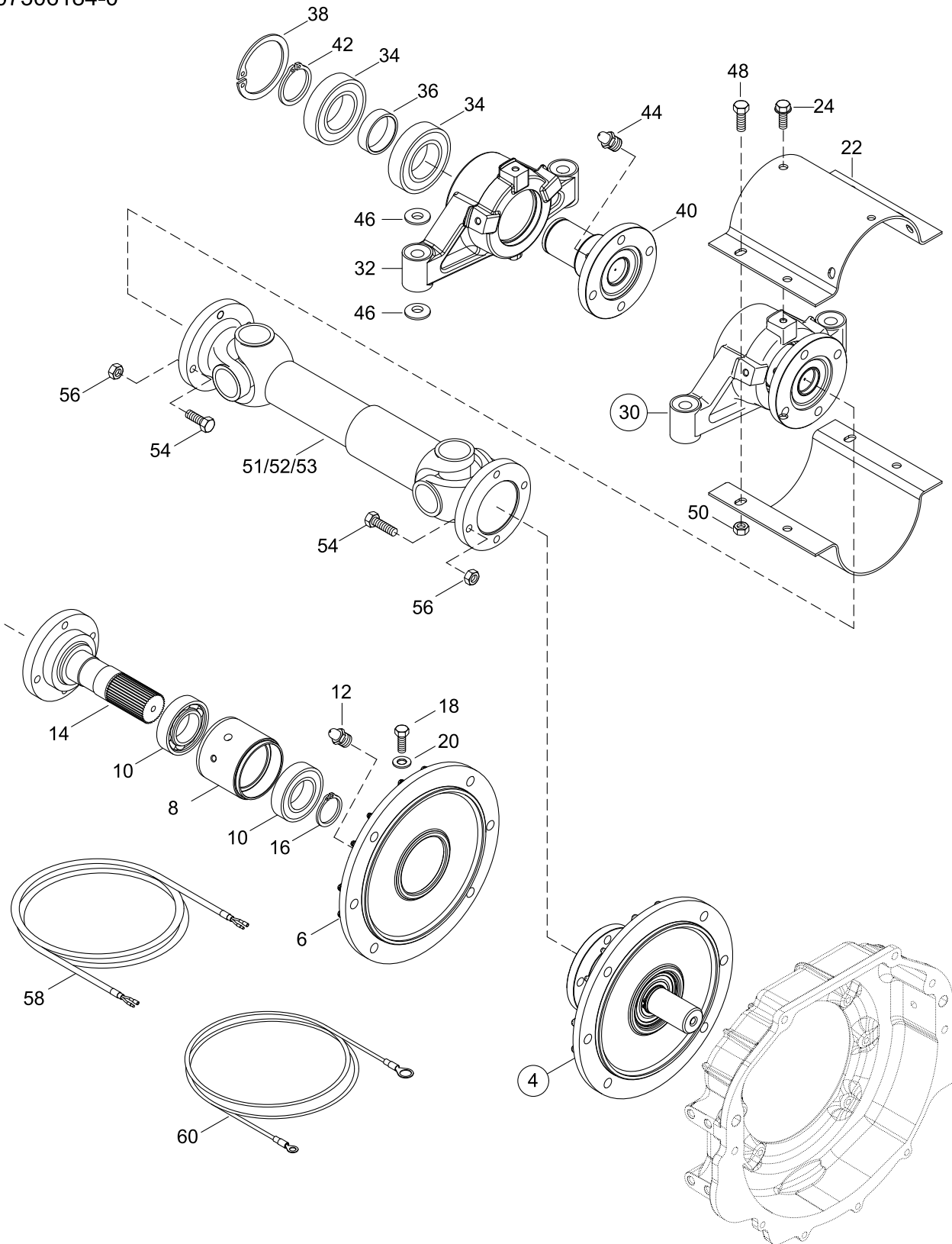


TA 0730

236 MARINE
K42 TURBO DIESEL
+ **SOLAS**

**DRIVE SHAFT EXT. MERCURY STERNDRIVE
(ACCESSORY)**

07306184-0





**DRIVE SHAFT EXT. MERCURY STERNDRIVE
(ACCESSORY)**

236 MARINE
K42 TURBO DIESEL
+ SOLAS

07306184-0

Pos.	Part.-No.	Qty	Designation	Step
4	Z002116-0	1	ADAPTER SHAFT ASSY. - MERCURY W.LENGTH BALANCE (PAINTED)	.2
6	Z002117-0	1	ADAPTER HOUSING - PAINTED (ALUCASTING)	..3
8	2179328-0	1	BEARING RETAINER	..3
10	3311181-0	2	DEEP GROOVE BALL BEARING DIN 625-RS1	..3
12	3963112-0	1	LUBRICATING NIPPLE, CONE DIN 71412-AM8x1-A3F	..3
14	2178814-2	1	ADAPTER SHAFT (MERCURY)	..3
16	3933251-0	1	RETAINING RING SHAFT DIN 471-35x1,5	..3
18	3802442-0	2	HEX.HD.SCR. ISO 4017-M8x40-8.8-A2C	..3
20	O125134-0	2	WASHER LARGE	..3
22	2179273-0	4	COVER PLATE	.2
24	9000305-0	6	HEX.FLANGE BOLT EN 1665-M8x20-10.9-DAC	.2
30	Z002118-0	1	BEARING BLOCK DRIVE SH. MERC. ASSY. (PAINTED)	.2
32	Z002119-0	1	BEARING BLOCK DRIVE SH. MERC. (PAINTED)	..3
34	9000486-0	2	DEEP GROOVE BALL BEARING DIN 625-6209 2RS1	..3
36	2179271-0	1	DISTANCE PLATE	..3
38	9000403-0	1	RETAINING RING BORE DIN 472-85x3	..3
40	Z002120-0	1	SHAFT-FLANGE DRIVE SHAFT MERC.	..3
42	3933350-0	1	RETAINING RING SHAFT DIN 471-45x1.75-BLANK	..3
44	3963112-0	1	LUBRICATING NIPPLE, CONE DIN 71412-AM8x1-A3F	..3
46	2179274-0	4	WASHER SPHERIC	.2
48	3802515-0	8	HEX.HD.SCR. ISO 4017-M10x20-8.8-A3C	.2
50	9000052-0	8	HEX.FLANGE NUT,PREVG.TOR. DIN 6927-M10-8-DAC A500	.2
51	Z002079-0	1	DRIVE SHAFT L=432mm & SCREWS	.2
52	Z002080-0	1	DRIVE SHAFT L=1000mm & SCREWS	.2
53	Z002081-0	1	DRIVE SHAFT L=1500mm & SCREWS	.2
54	9000066-0	8	HEX.HD.BOLT ISO 4017-M10x35-12.9	..3
56	9000052-0	8	HEX.FLANGE NUT,PREVG.TOR. DIN 6927-M10-8-DAC A500	..3
58	2179352-0	1	EXTENSION CABLE - TRIMSSENSOR 1,5m	.2
60	2179353-0	1	GROUND WIRE FLYW.HSG-TRANSOM 1,8m	.2



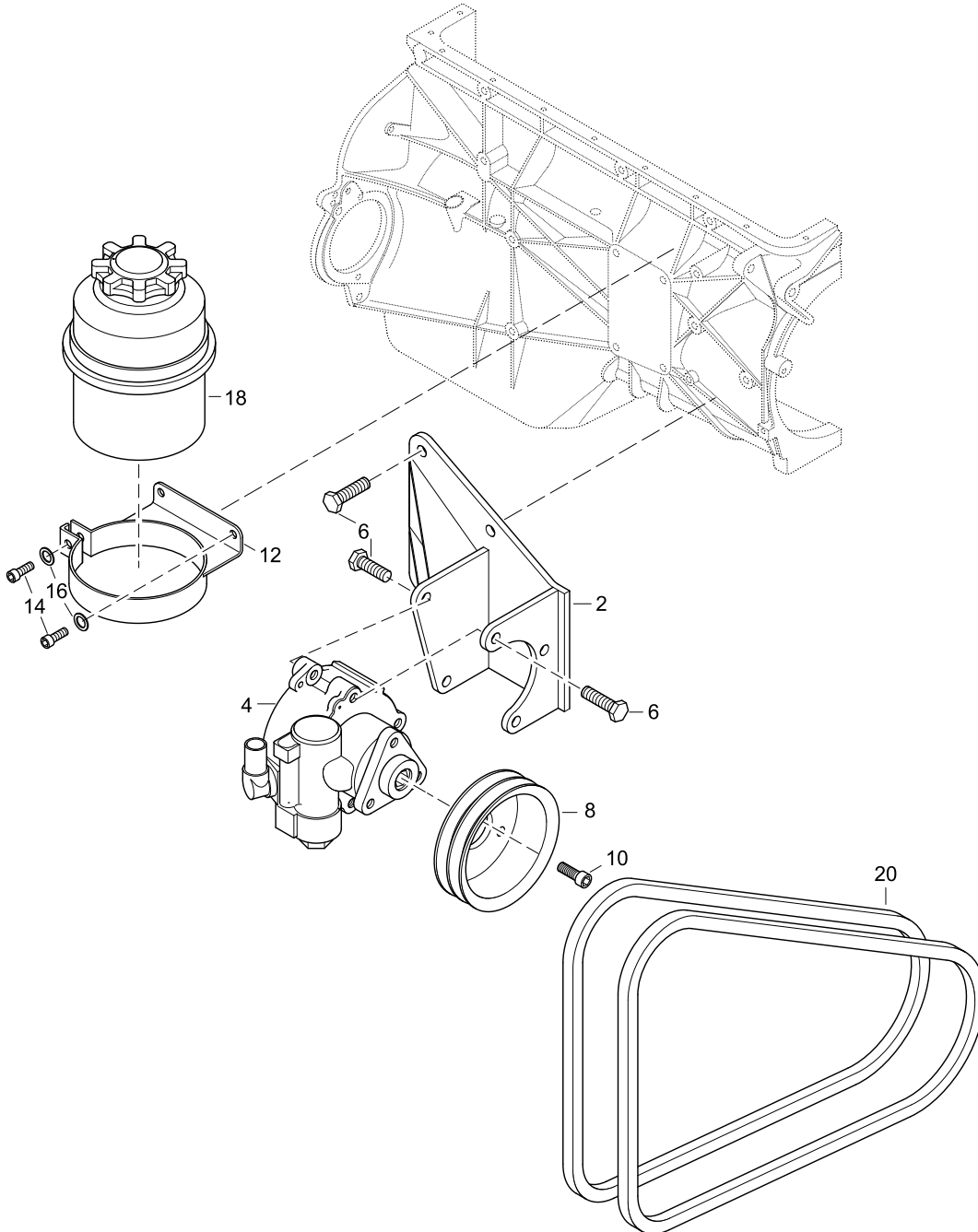


TA 1408

236 MARINE
K42 TURBO DIESEL
+ **SOLAS**

HYDRAULIC PUMP

14086184-1





HYDRAULIC PUMP	236 MARINE K42 TURBO DIESEL + SOLAS
-----------------------	--

14086184-1

Pos.	Part.-No.	Qty	Designation	Step
2	2177863-3	1	BRACKET POWER STEERING PUMP	.2
4	2203712-9	1	POWER STEERING PUMP (PAINTED)	.2
6	3800234-0	9	HEX.HD.SCR. ISO 4017-M8x22-8.8-DAC A500	.2
8	2040168-1	1	PULLEY HYDRAULIC-PUMP	.2
10	3862416-0	3	HEX.SOCK. HD.CAP SCR. DIN 912-M8x12-8.8-A2C	.2
12	2178868-0	1	BRACKET POWER STEERING PUMP	.2
14	3862327-0	3	HEX.SOCK. HD.CAP SCR. DIN 912-M6x25-8.8-A2C	.2
16	3930070-0	3	WASHER DIN 125-6-140HV-A2	.2
18	2178869-1	1	OILTANK POWER STEERING PUMP	.2
20	2177056-0	2	V-BELT AVX 10x950LA DIN 7753 —>68224418	.2



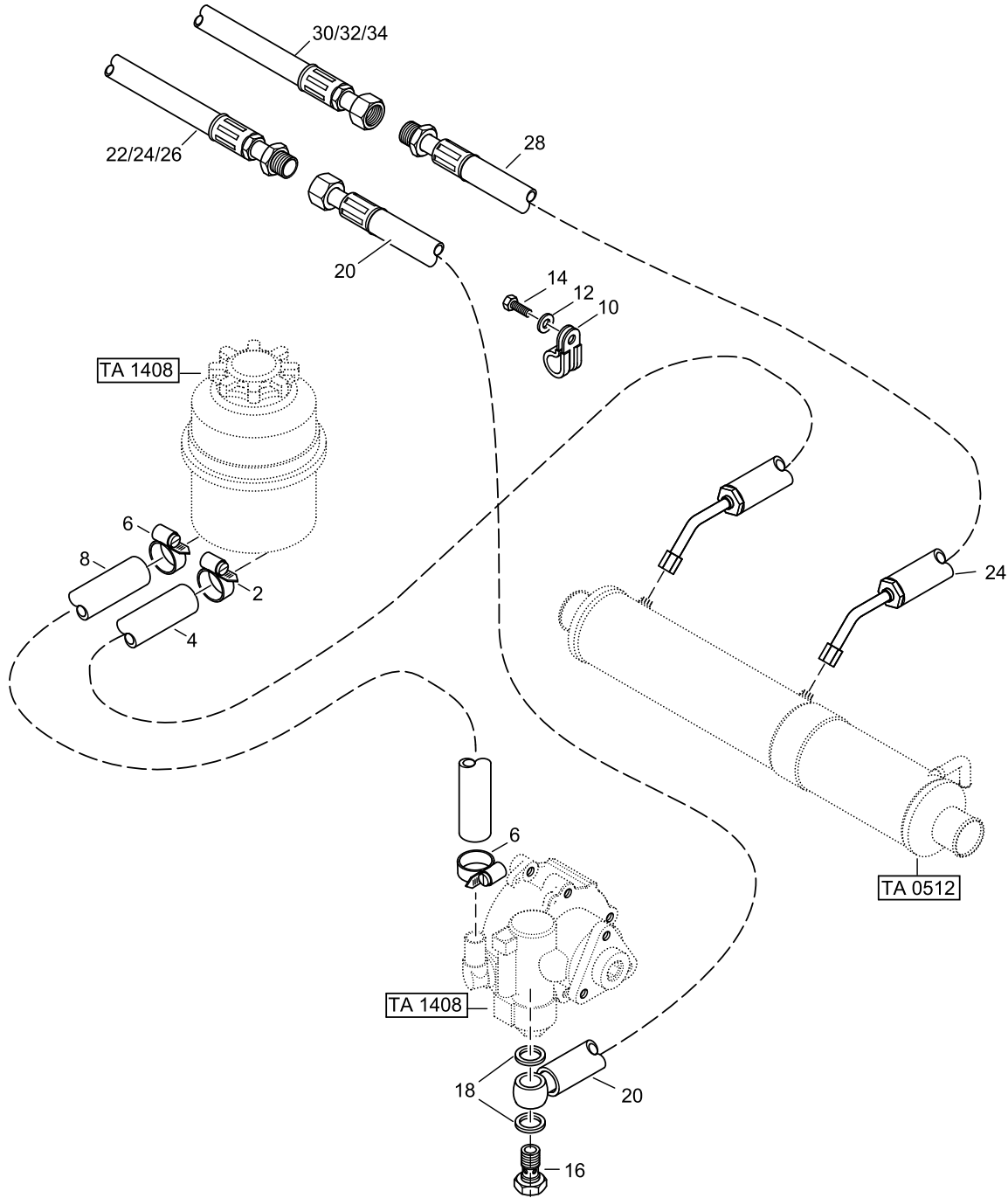


TA 1409

236 MARINE
K42 TURBO DIESEL
+ **SOLAS**

HYDRAULIC PIPES

14096184-0



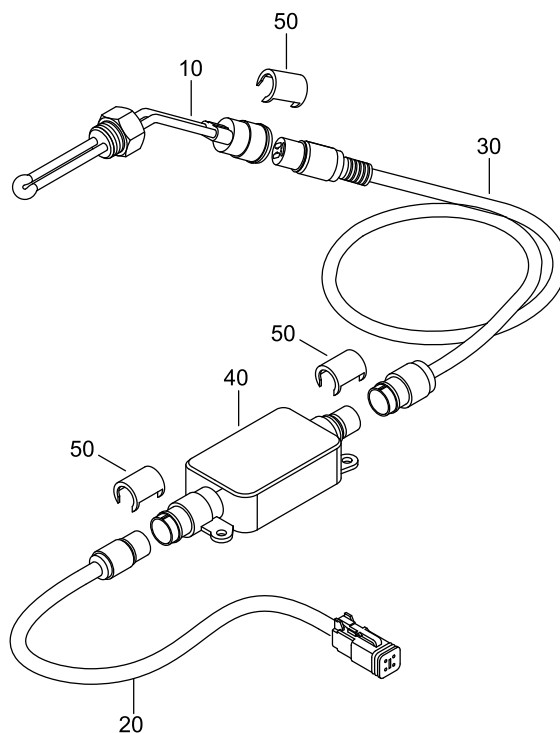
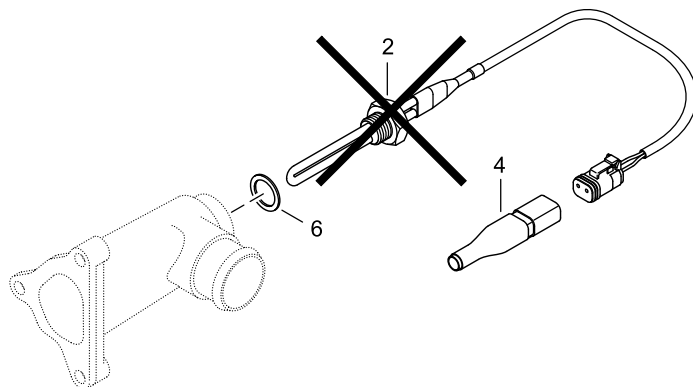


TA 2207

236 MARINE
K42 TURBO DIESEL
+ **SOLAS**

**ENGINE PREHEATING
(ACCESSORY)**

22076184-0





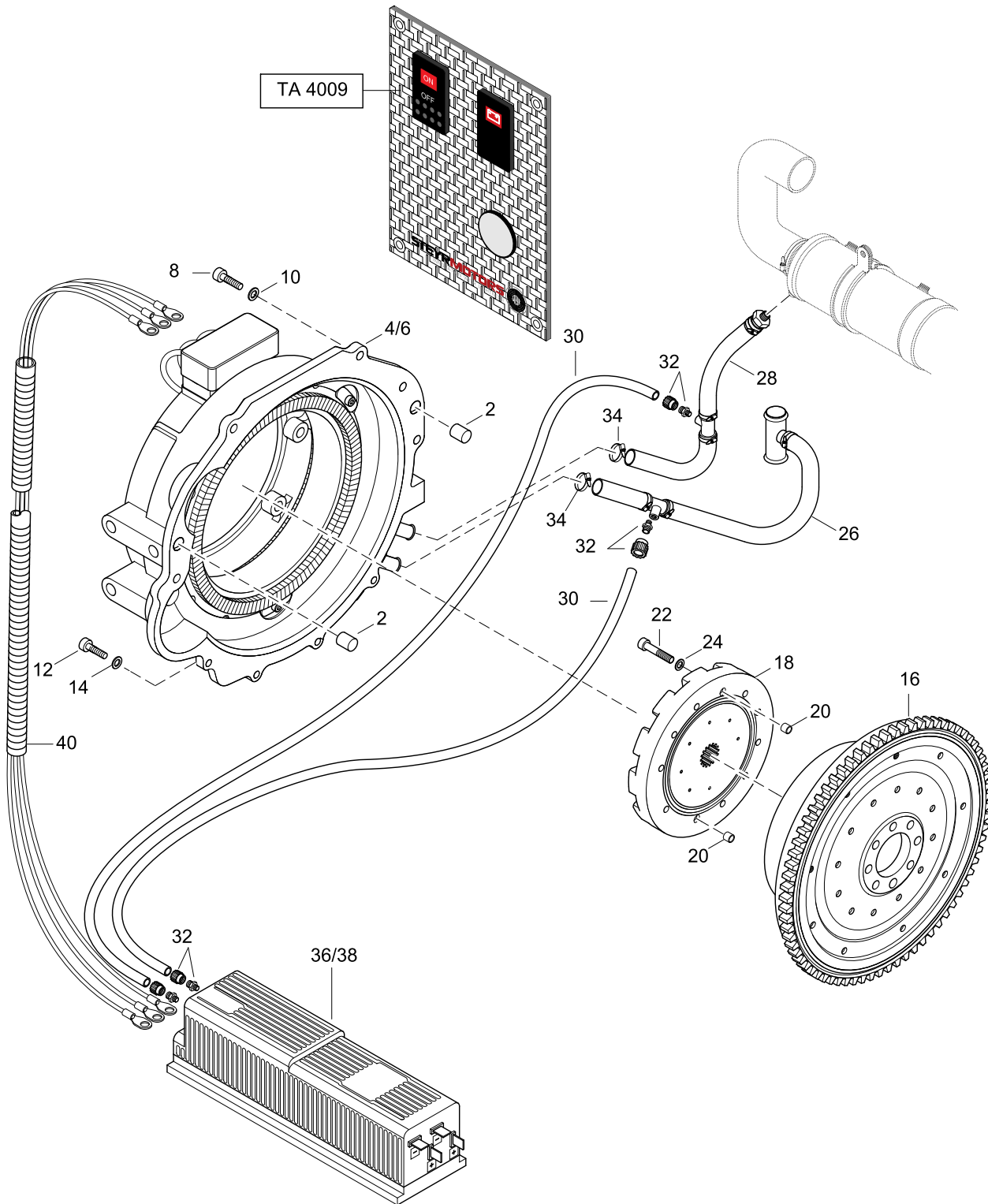
TA 4000



236 MARINE
K42 TURBO DIESEL
+ SOLAS

**INTEGR. FLYWHEELGENERATOR (IFG)
(ACCESSORY)**

40006184-0



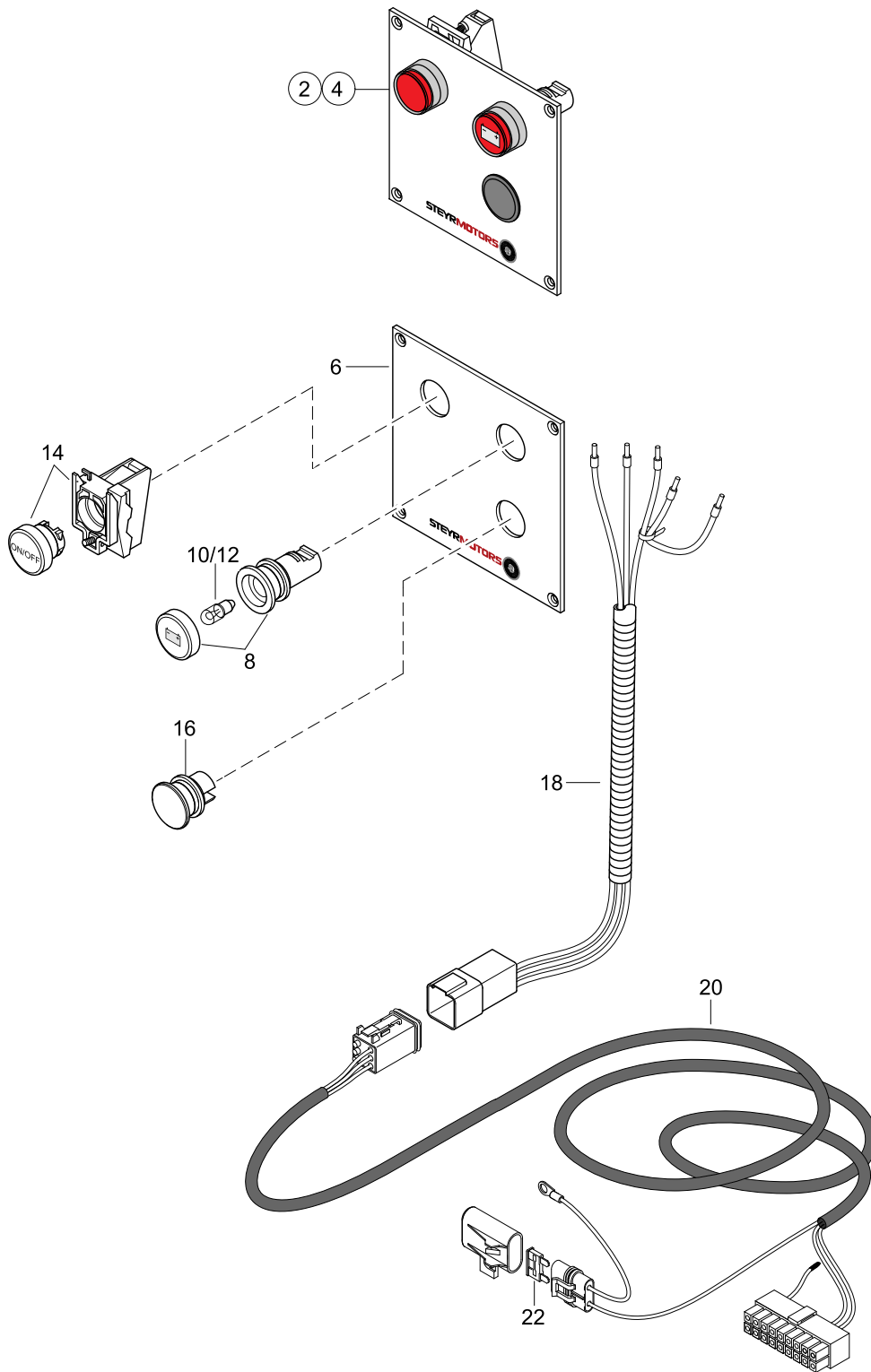


TA 4009

236 MARINE
K42 TURBO DIESEL
+ SOLAS

PUSH BUTTON PANEL „IFG“
TILL -->2010

40096184-0





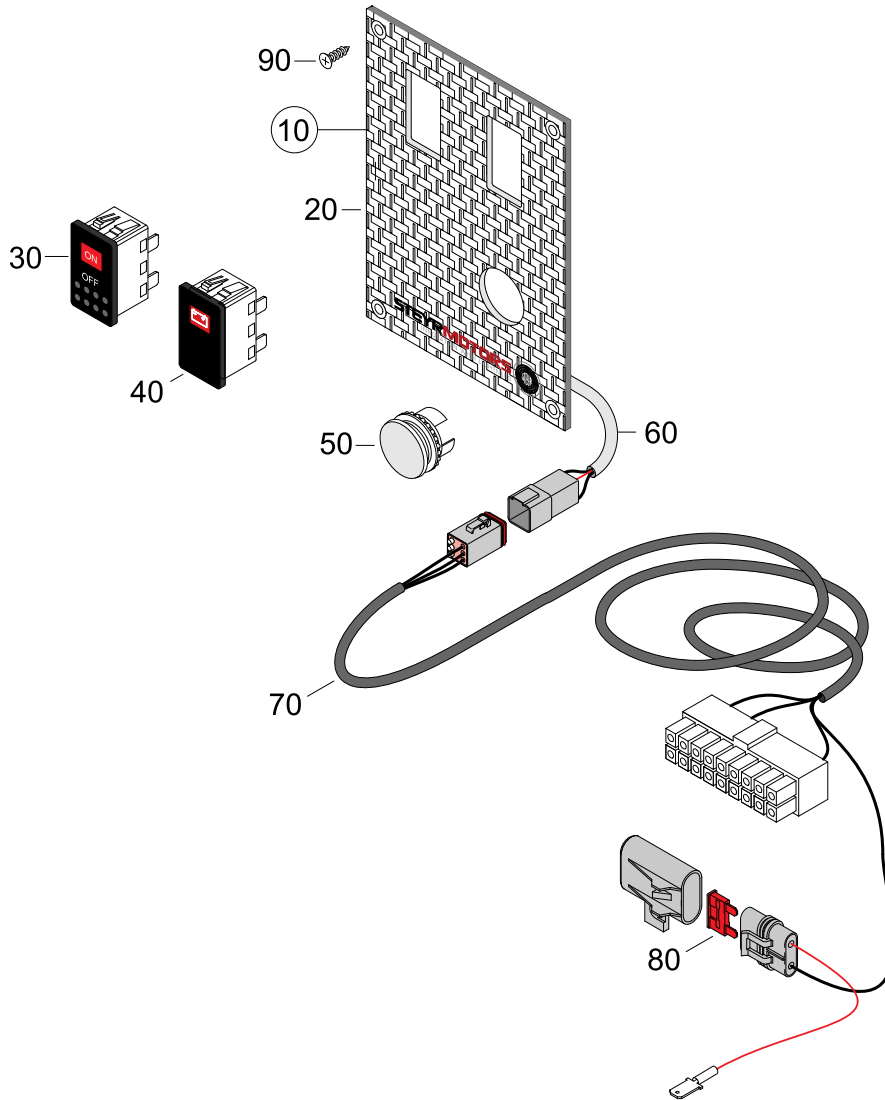
TA 4009



236 MARINE
K42 TURBO DIESEL
+ SOLAS

**PUSH BUTTON PANEL „IFG“
FROM 2010-->**

40096184-1





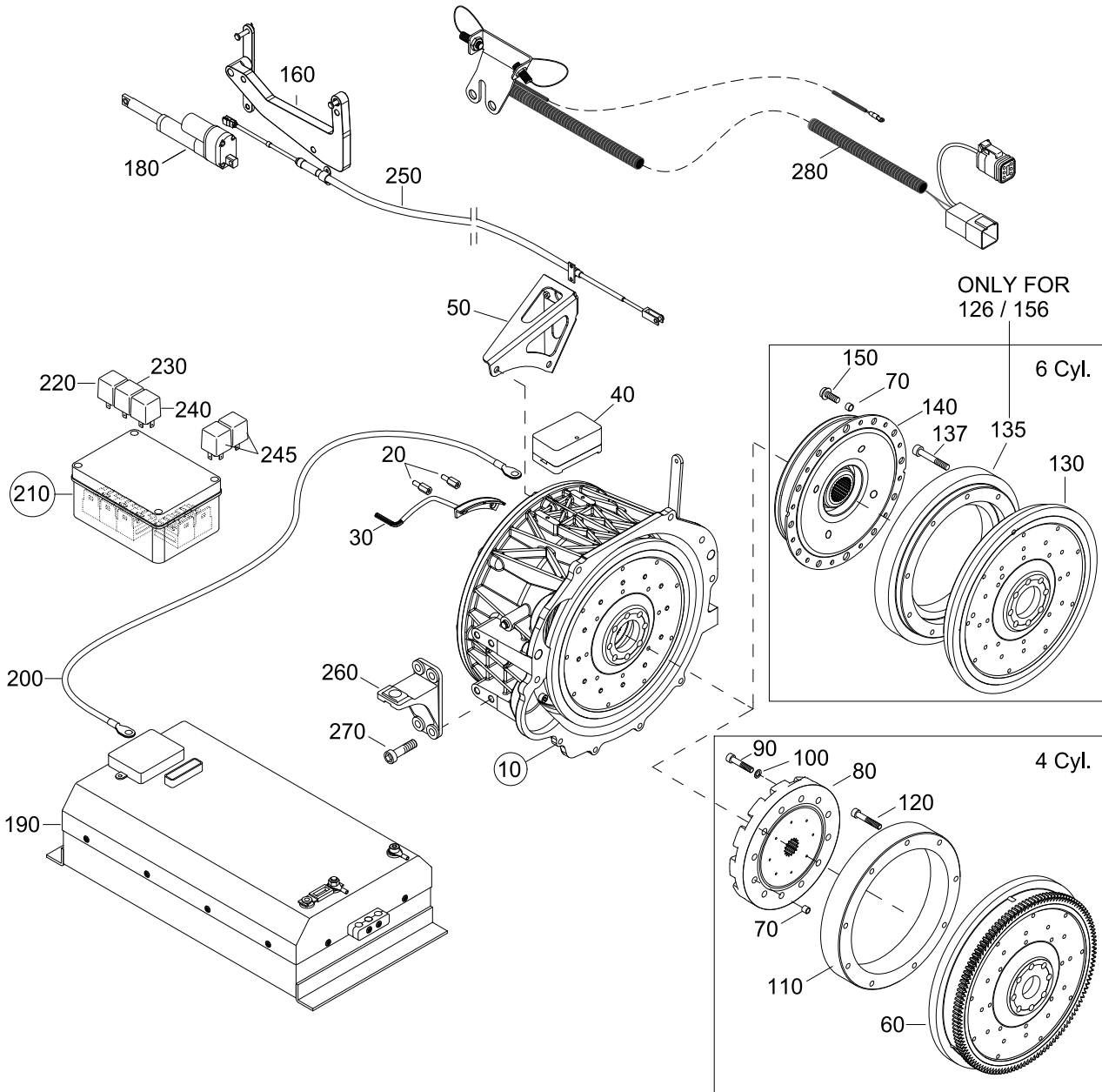
TA 4100



236 MARINE
K42 TURBO DIESEL
+ **SOLAS**

HYBRID

41006184-0



HYBRID	236 MARINE K42 TURBO DIESEL + SOLAS
---------------	--

41006184-0

Pos.	Part.-No.	Qty	Designation	Step
10	Z002171-0	1	ELECTRIC MOTOR ASSY.	.2
20	2179623-1	2	DISTANCE BOLT	..3
30	Z002173-0	1	HALL SENSOR ASSY.	..3
40	2179758-0	1	CONNECTION PLATE	..3
50	2180122-0	1	GEAR SHIFT BRACKET	..3
60	2203870-0	1	FLYWHEEL ASSY. RW	.2
70	2203543-0	2	FITTING SLEEVE	.2
80	Z002106-0	1	S.P. COUPLER	.2
90	9000520-0	12	HEX.SOCK.HD.CAP SCR. ISO 4762-M8x50-10.9-DAC	.2
100	3930103-0	12	WASHER DIN 125-8.4-140HV-A2	.2
110	2180415-0	1	FLYWHEEL MASS	.2
120	3862462-0	9	HEX.SOCK.HD.CAP SCR. DIN 912-M8x60-8.8-A2C	.2
130	2177734-N	1	FLYWHEEL ASSY. RW	.2
135	2180522-0	1	FLYWHEEL MASS	.2
137	3862452-0	9	HEX.SOCK.HD.CAP SCR. DIN 912-M8x50-8.8-A2C	.2
140	Z026060-0	1	S.P. COUPLER	.2
150	9000685-0	12	LOCKING SCREW-M8x16-10.9	.2
160	2179739-1	1	CONTROL BRACKET ASSY.	.2
180	Z002174-0	1	CONTROL MOTOR, CLUTCH	.2
190	Z002195-0	1	ELECTR.CONTROL SYSTEM	.2
200	Z021009-0	3	CONNECTING CABLE	.2
210	Z002175-0	1	RELAIS BOX ASSY.	.2
220	2179961-0	1	PROGRAMMED RELAIS, A12	..3
230	2179960-0	1	PROGRAMMED RELAIS, A11	..3
240	2179959-0	1	PROGRAMMED RELAIS, A10	..3
245	9000183-0	2	RELAY 12V 40A	..3
250	Z002178-0	1	GEAR SHIFT CABLE ASSY.	.2
260	2178722-1	2	BRACKET FLYWHEEL HOUSING	.2
270	9000081-0	8	HEX.SOCK.HD.CAP SCR. DIN 912-M12x35-8.8-A3C	.2
280	Z026154-0	1	POSITION SENSORS ASSY. (SPARE PART)	.2





TA 6012

236 MARINE
K42 TURBO DIESEL
+ SOLAS

**HEATING UNIT, CIRCULATION PUMP
(ACCESSORY)**

60126084-1

